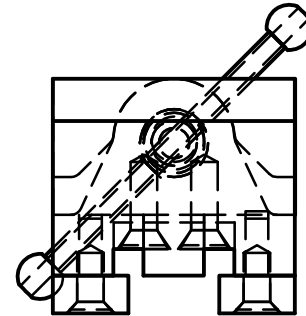
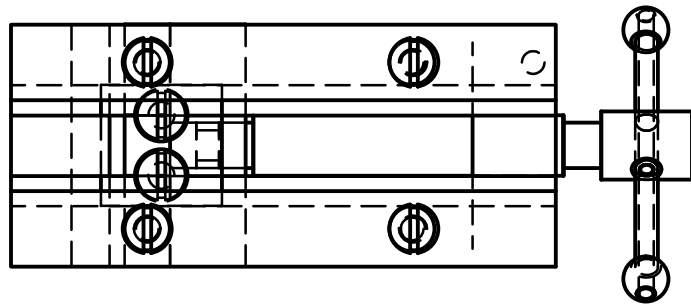


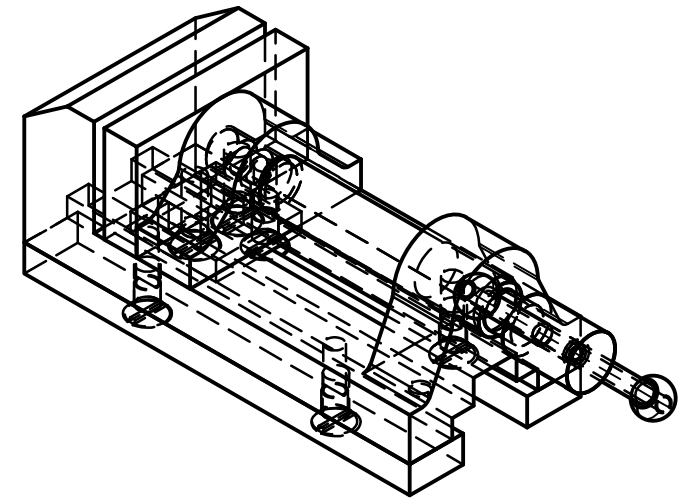
SIDE ELEVATION




BOTTOM ELEVATION



BOTTOM ELEVATION



ORTHOGRAPHIC ELEVATION

 CAE SOLUTIONS™ www.caegroup.co.za CAE CAD ACADEMY	Bench vice	JEAN-MARC VOGT		
		CHECKED		
		DATE	2015-06-08	
	CAE	1:2	05	