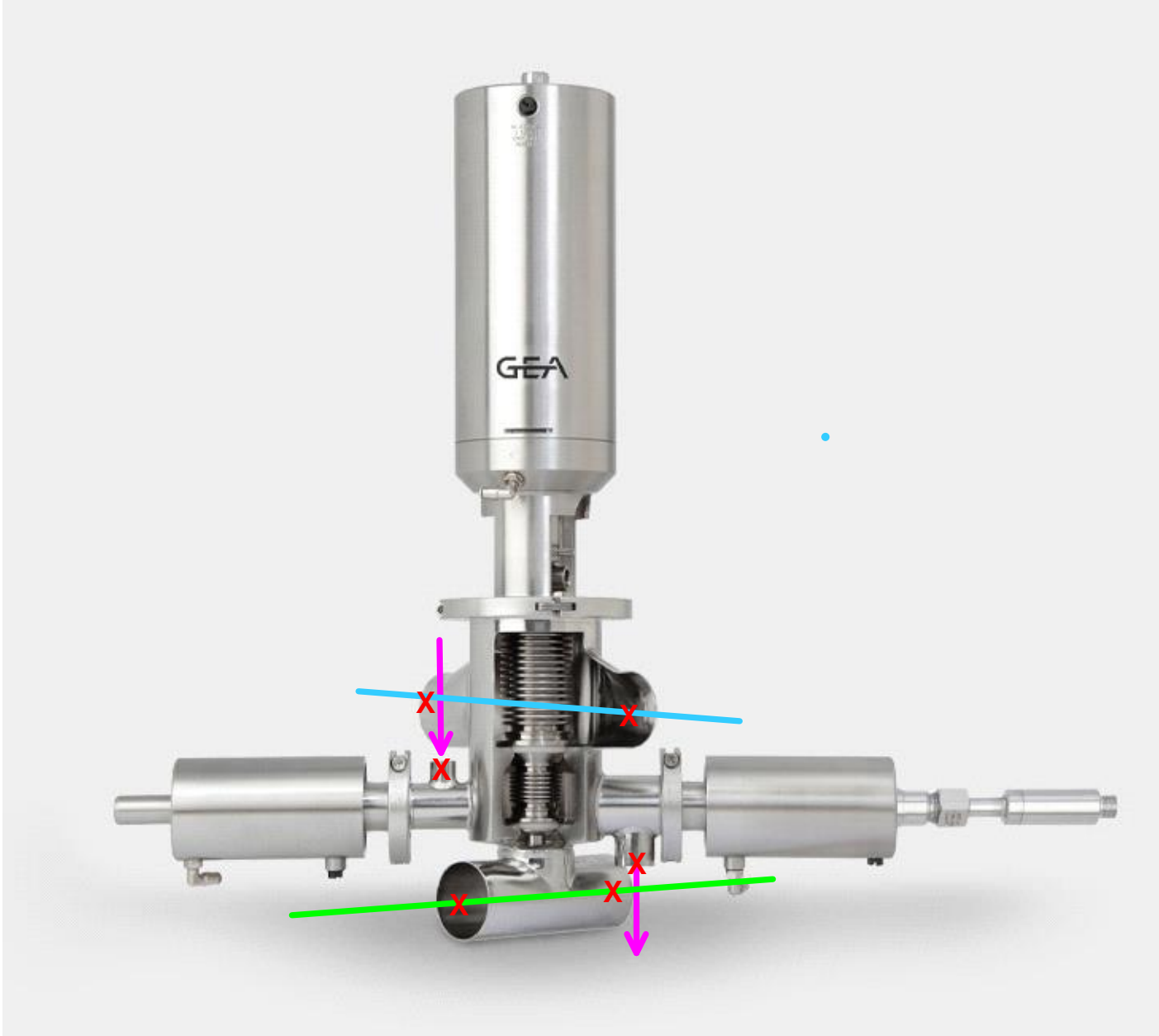


AutoDesk Blog - Isometric Symbol and SKEY

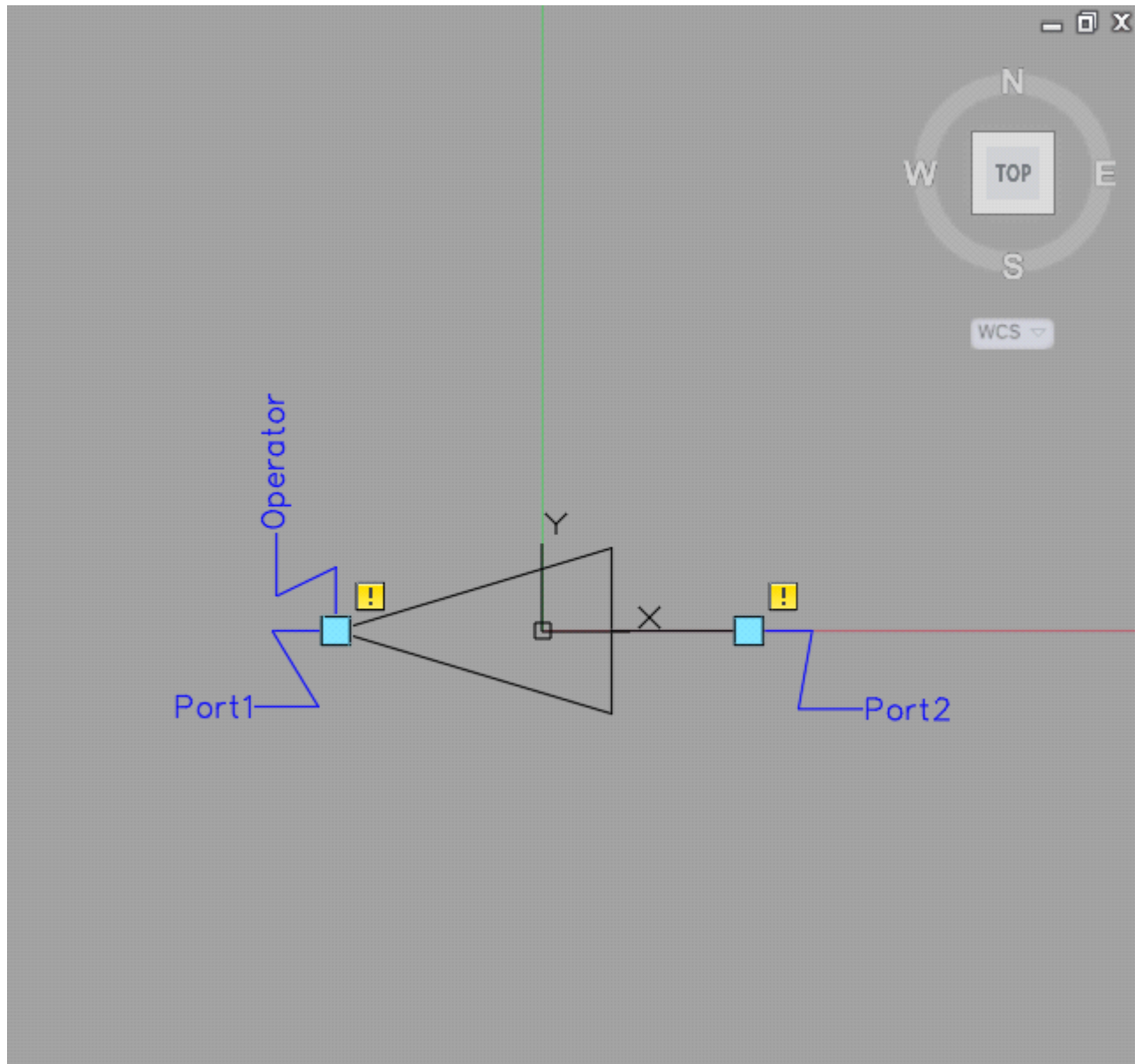
Mittwoch, 2. Oktober 2024 09:12



Special Multiport valve with UP and DOWN connections on the middle.

AutoDesk Blog - Isometric Symbol and SKEY

Mittwoch, 16. Oktober 2024 14:44

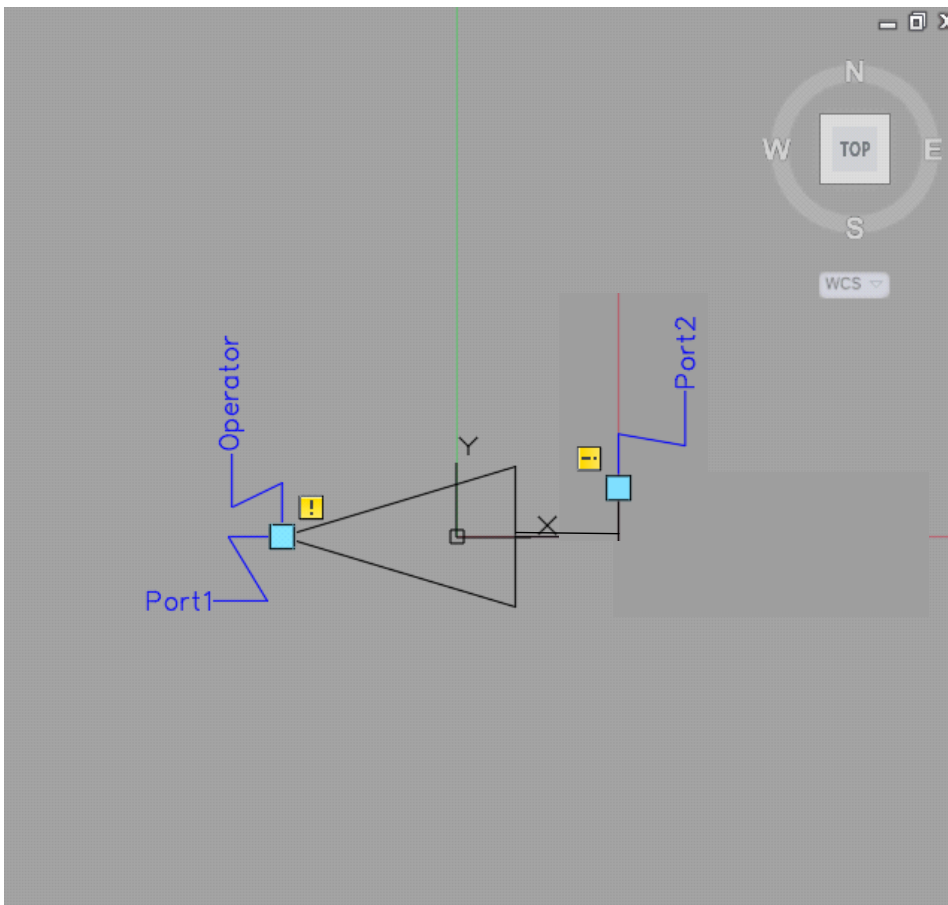


Erfasster Bildschirmausschnitt: 16.10.2024 14:44

U.Hoffmann
Plant 3D - Isometric Multiport Symbol "MVPBody" (default)

AutoDesk Blog - Isometric Symbol and SKEY

Mittwoch, 16. Oktober 2024 14:44



Erfasster Bildschirmausschnitt: 16.10.2024 14:44

U.Hoffmann

This new Block symbol must work in combination with the default "MVPBody" symbol