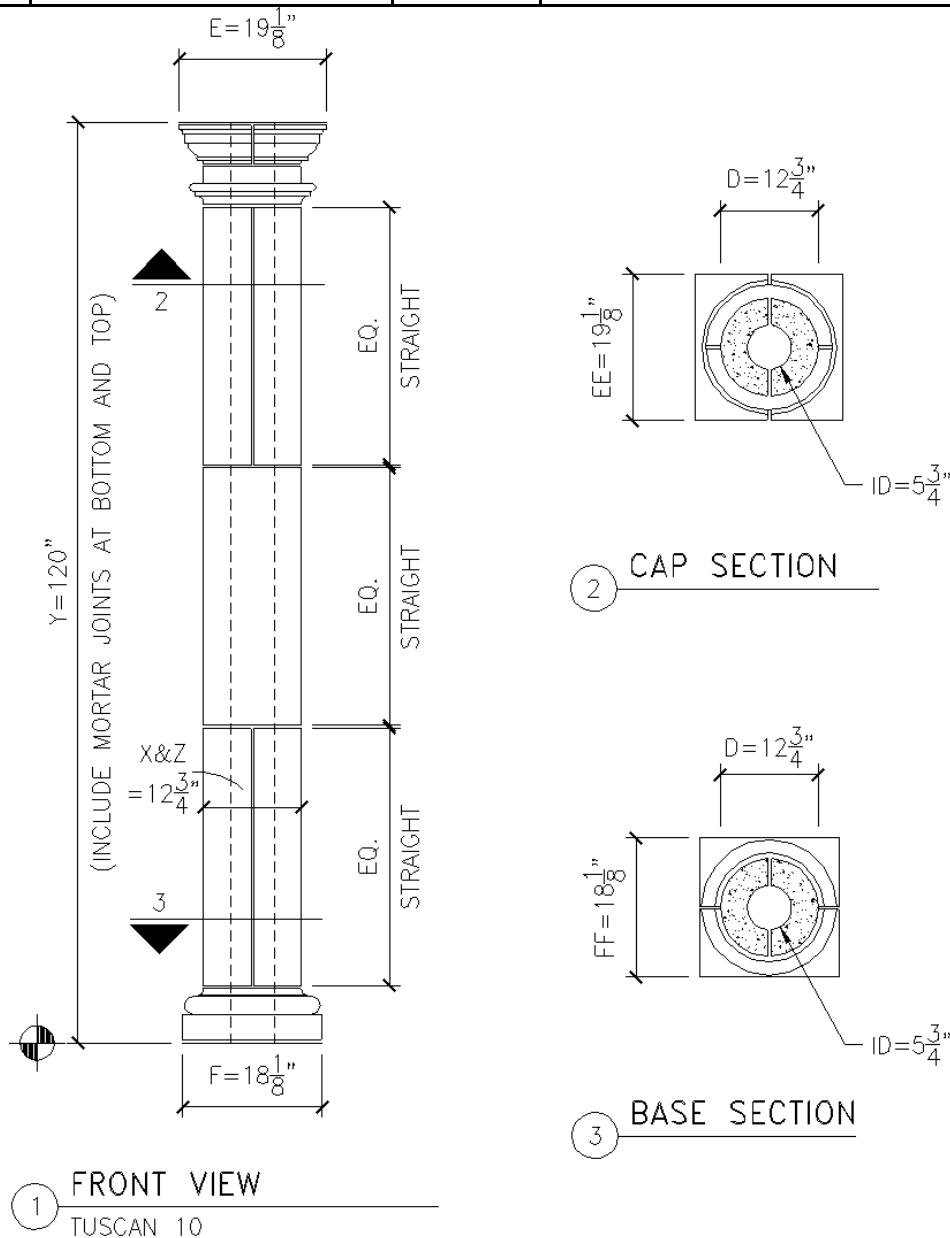


STD 3/8" MORTAR JOINT

Unit ID: 9708

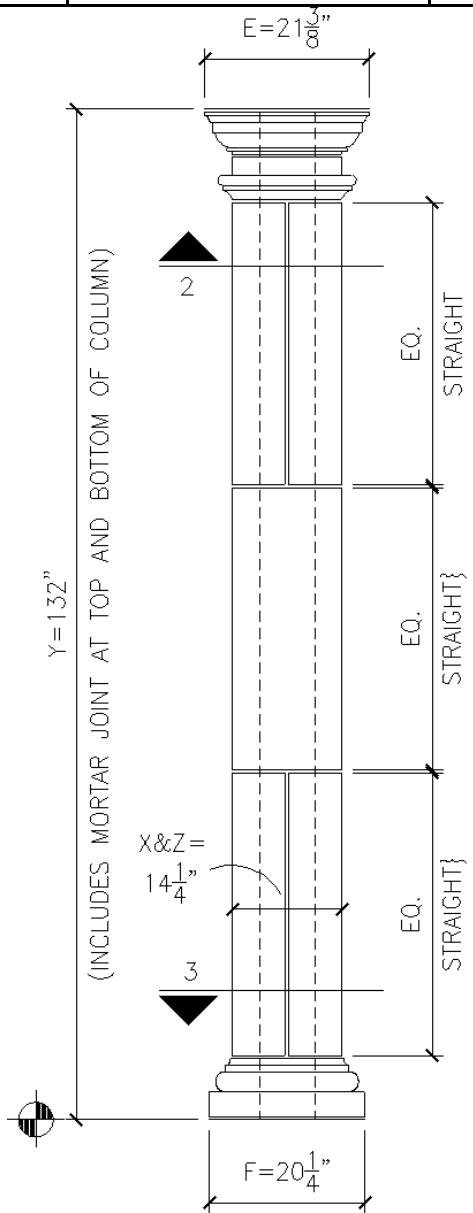
Specifications:	Submittal Data	Instructions								
	Unit Profile: Tuscan9 Column	<input type="checkbox"/> APPROVED AS IS <input type="checkbox"/> APPROVED AS NOTED <input type="checkbox"/> EXCEPTION RESUBMIT Quantity: _____ Linear Foot: _____ Color: TAN / WHITE / BUFF / OTHER _____								
	<table border="1" style="width: 100%;"> <tr> <td style="width: 20%;">JobUnitMark</td> <td style="width: 30%;">Checker</td> <td rowspan="2"> Company: Wolfgang Schau Contact: Wolfgang Schau Address: 146 Inlet Dr City: St Augustine State: FL ZIP: 32080 </td> </tr> <tr> <td></td> <td>Product Group</td> </tr> <tr> <td colspan="2">Unit ID 0</td> <td></td> </tr> </table>		JobUnitMark	Checker	Company: Wolfgang Schau Contact: Wolfgang Schau Address: 146 Inlet Dr City: St Augustine State: FL ZIP: 32080		Product Group	Unit ID 0		
JobUnitMark	Checker		Company: Wolfgang Schau Contact: Wolfgang Schau Address: 146 Inlet Dr City: St Augustine State: FL ZIP: 32080							
	Product Group									
Unit ID 0										
	Stone Legends Texas									
	301 Pleasant Drive * Dallas, TX 75217 * Voice: (214) 398-1199 * Fax: (214) 398-1293	_____ Authorized Agent Signature								
Visit our website at www.stonelegends.com										



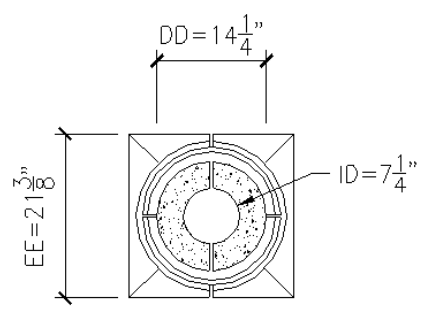
STD. 3/8" MORTAR JOINTS

Unit ID: 9712

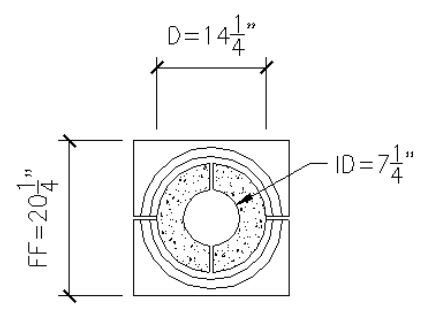
Specifications:	Submittal Data	Instructions								
	Unit Profile: Tuscan10 Column	<input type="checkbox"/> APPROVED AS IS <input type="checkbox"/> APPROVED AS NOTED <input type="checkbox"/> EXCEPTION RESUBMIT Quantity: _____ Linear Foot: _____ Color: TAN / WHITE / BUFF / OTHER _____								
	<table border="1" style="width: 100%;"> <tr> <td style="width: 20%;">JobUnitMark</td> <td style="width: 30%;">Checker</td> <td rowspan="2" style="width: 50%;"> Company: Wolfgang Schau Contact: Wolfgang Schau Address: 146 Inlet Dr City: St Augustine State: FL ZIP: 32080 </td> </tr> <tr> <td></td> <td>Product Group</td> </tr> <tr> <td colspan="2">Unit ID 0</td> <td></td> </tr> </table>	JobUnitMark	Checker	Company: Wolfgang Schau Contact: Wolfgang Schau Address: 146 Inlet Dr City: St Augustine State: FL ZIP: 32080		Product Group	Unit ID 0			
JobUnitMark	Checker	Company: Wolfgang Schau Contact: Wolfgang Schau Address: 146 Inlet Dr City: St Augustine State: FL ZIP: 32080								
	Product Group									
Unit ID 0										
	Stone Legends Texas									
	301 Pleasant Drive * Dallas, TX 75217 * Voice: (214) 398-1199 * Fax: (214) 398-1293									
	Visit our website at www.stonelegends.com	Authorized Agent Signature								



1 FRONT VIEW
TUSCAN11



2 CAP. SECTION



3 BASE SECTION

STD. 3/8" MORTAR JOINTS

Unit ID: 1140

Specifications:	Submittal Data	Instructions						
	Unit Profile: Tuscan11 Column	<input type="checkbox"/> APPROVED AS IS <input type="checkbox"/> APPROVED AS NOTED <input type="checkbox"/> EXCEPTION RESUBMIT Quantity: _____ Linear Foot: _____ Color: TAN / WHITE / BUFF / OTHER _____						
	<table border="1" style="width: 100%;"> <tr> <td style="width: 20%;">JobUnitMark</td> <td>Checker</td> </tr> <tr> <td></td> <td>Product Group</td> </tr> <tr> <td colspan="2">Unit ID 0</td> </tr> </table>		JobUnitMark	Checker		Product Group	Unit ID 0	
JobUnitMark	Checker							
	Product Group							
Unit ID 0								
	Company: Wolfgang Schau Contact: Wolfgang Schau Address: 146 Inlet Dr City: St Augustine State: FL ZIP: 32080							
	Stone Legends Texas							
	301 Pleasant Drive * Dallas, TX 75217 * Voice: (214) 398-1199 * Fax: (214) 398-1293							
	Visit our website at www.stonelegends.com	Authorized Agent Signature _____						