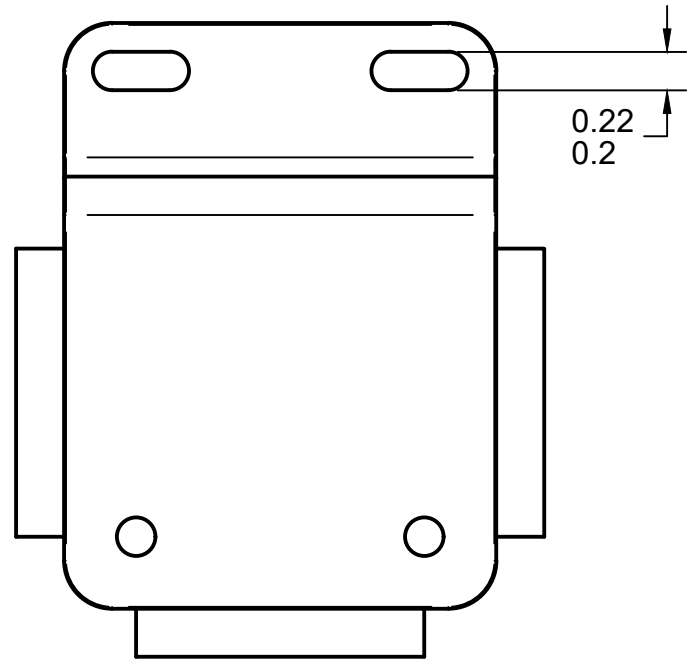
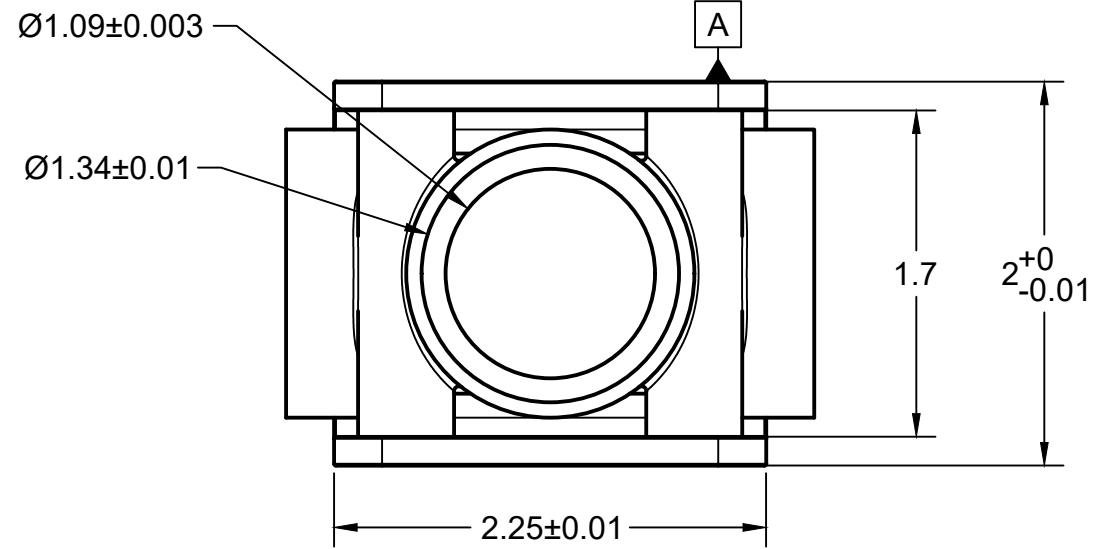
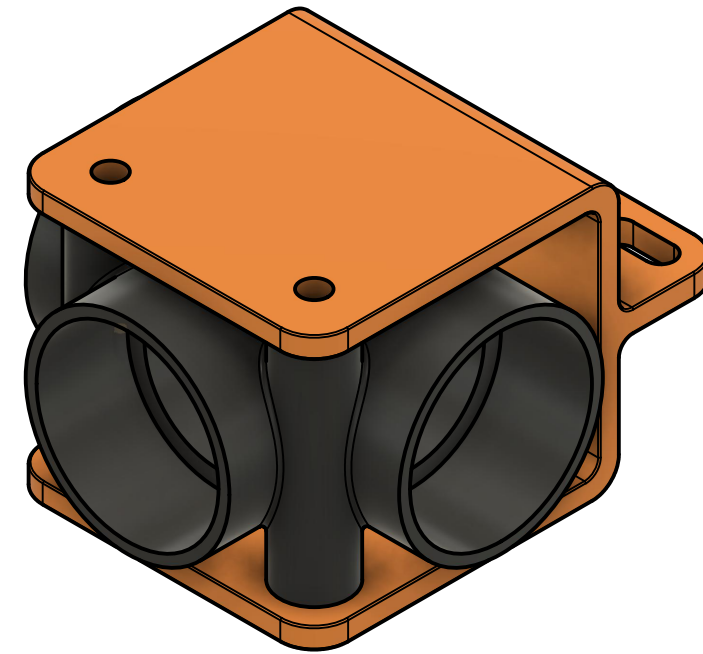


"TOP VIEW"



"ISO VIEW"



"FRONT VIEW"

		PROJECT		
		Fusion 360 Essentials		
		TITLE		
		3 Rod Joint		
APPROVED	SIZE	CODE	DWG NO	REV
CHECKED	B			
DRAWN	Lucas Smith	SCALE 1:1	WEIGHT	SHEET 1/1