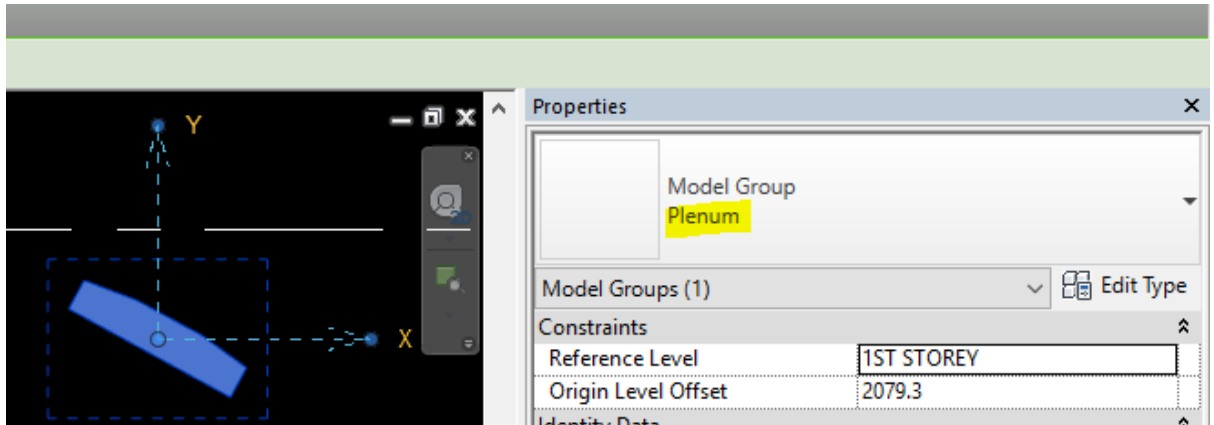
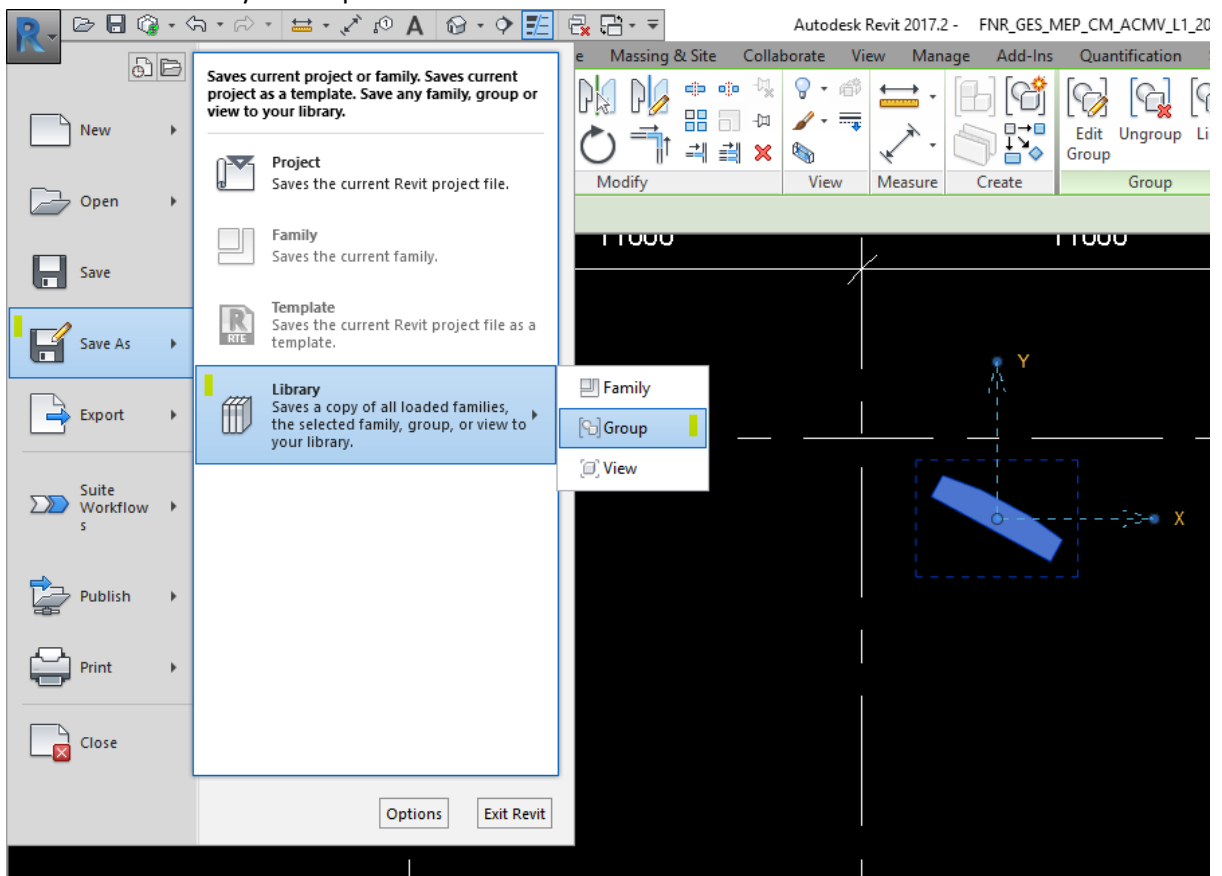


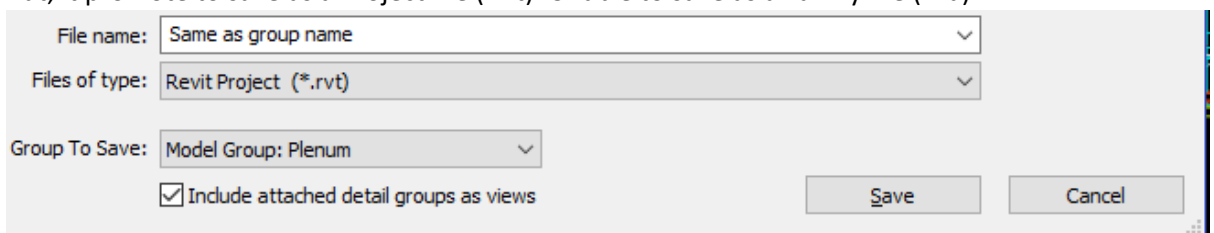
1. In-Place Family created as a group. Named it as "Plenum".

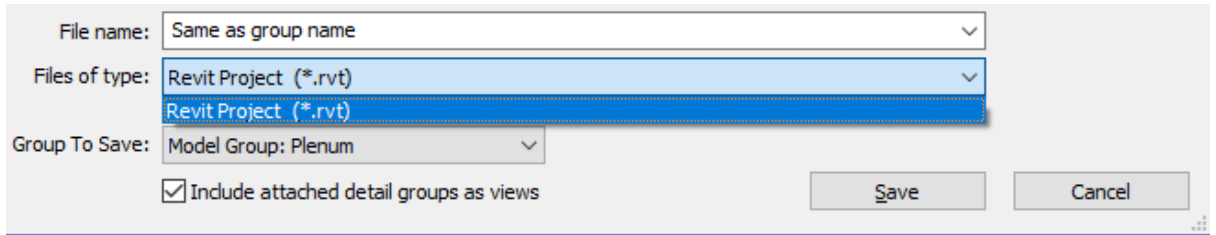


2. R>>Save As>>Library>>Group.




3. But, it promote to save as a Project file (.rvt). Unable to save as a Family file (.rfa)

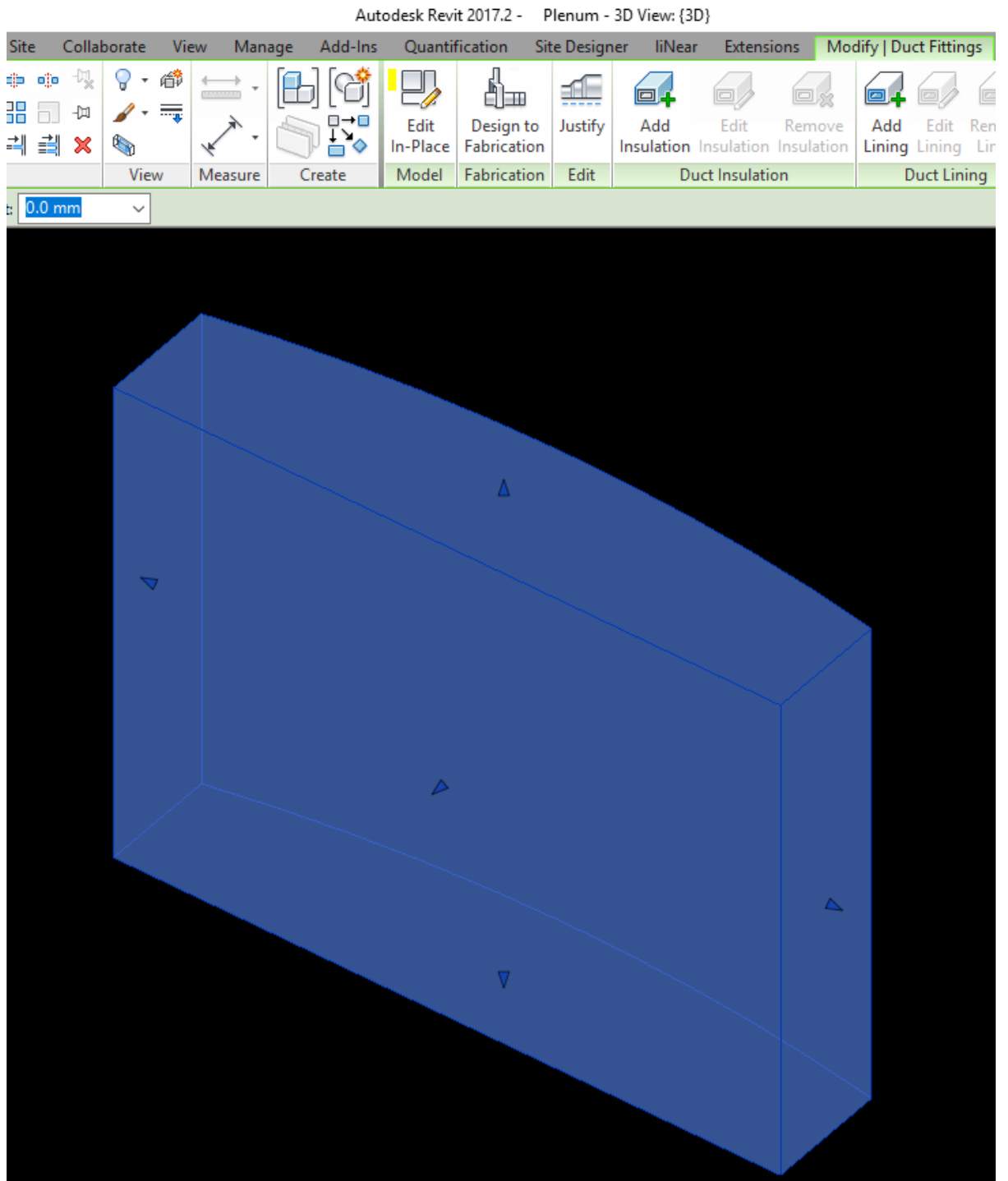




4. It saved as a Revit project file, not a family file.

 Plenum	28-06-17 11:56 AM	Revit Project	356 KB
--	-------------------	---------------	--------

5. After I opened that project file to check. Still it is an in-place family.



6. Please advise.