

Standard parts, assemblies & weldments (no iLogic)

Drawing Filename = 6xxxxxx.idw

Part Filename = 6xxxxxx.ipt (.iam)

Drawing Number = 6xxxxxx

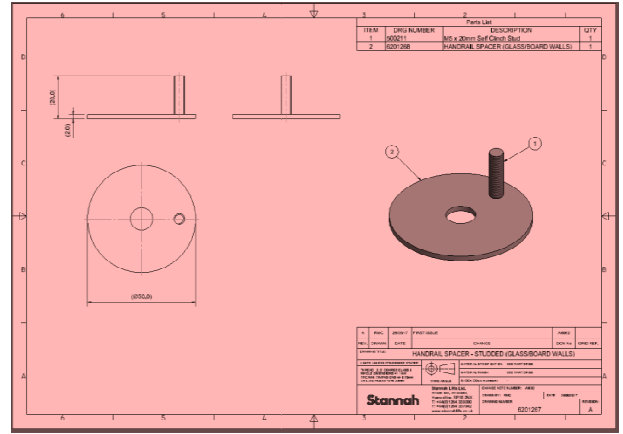
Project, Part Number = 6xxxxxx

Single idw, single part variant

PDF Filename = 6xxxxxx_revA.pdf

(where xxxxxx = unique incremental number from database and A = Project, Revision Number)

e.g. 6201267_revA.pdf



Standard parts, assemblies & weldments (with iLogic)

Drawing Filename = 6xxxxxx.idw

Part Filename = 6xxxxxx.ipt (.iam)

Drawing Number = 6xxxxxx-YY

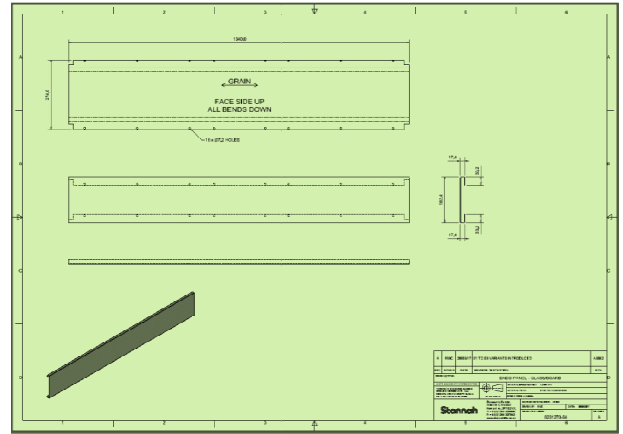
Project, Part Number = 6xxxxxx-YY

Single idw, multiple part variants

PDF Filename = 6xxxxxx-YY_revA.pdf

(where YY = two digit number populated from excel)

e.g. 6201270-04_revA.pdf



iParts & iAssemblies (no iLogic)

Drawing Filename = 6xxxxxx.idw

Part Filename = 6xxxxxx.ipt (.iam)

Drawing Number = 6xxxxxx

Project, Part Number = 6xxxxxx-ZZ

Single idw, multiple part variants (tabulated drawing)

PDF Filename = 6xxxxxx_revA.pdf

(where 6xxxxxx-ZZ = member name in iPart table)

e.g. 6201276_revA.pdf

PDF Filename Format = *Drawing Number*_rev*Revision Number*.pdf

Drawing Number field = rule on iLogic drawings to Update Copied Properties

