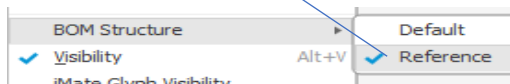
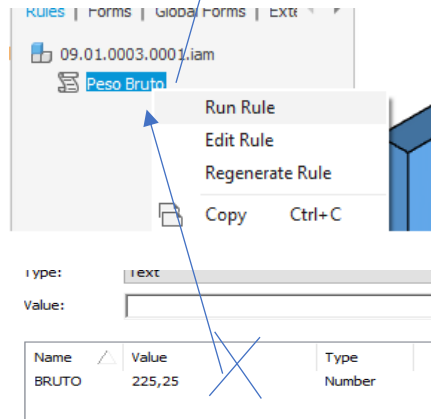
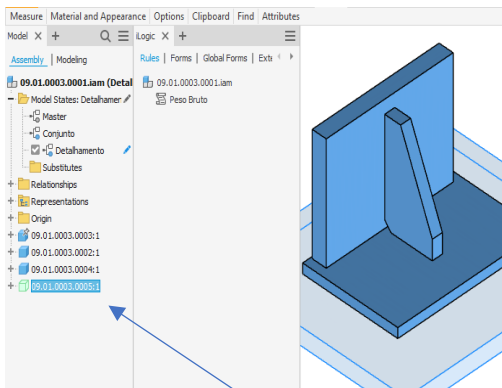
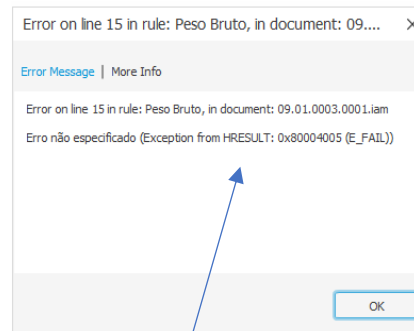
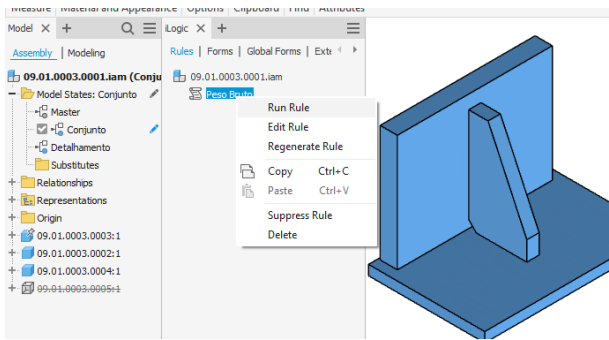
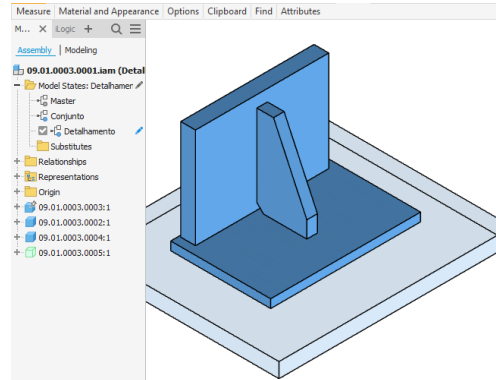
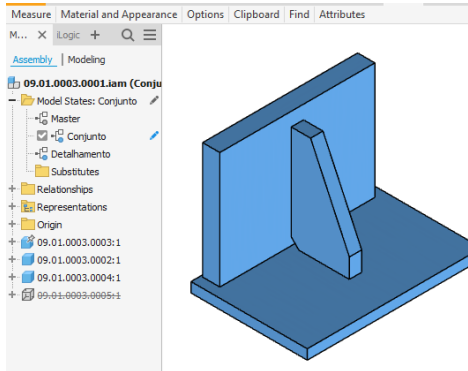


Model States: Conjunto e Detalhamento

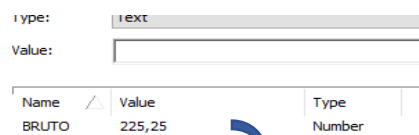
Get weight from all parts except: Squeezed and references.

Weight = 76,0 kg

Weight Bruto= 225,0 kg



Despise or total weight: 225.25 kg



Model States: Conjunto and Detalhamento = 76.0 kg
 Preserve always or weight of 76.0 kg..
 Despise the weight of the supress parts and reference.

BRUTO: 76,0 kg