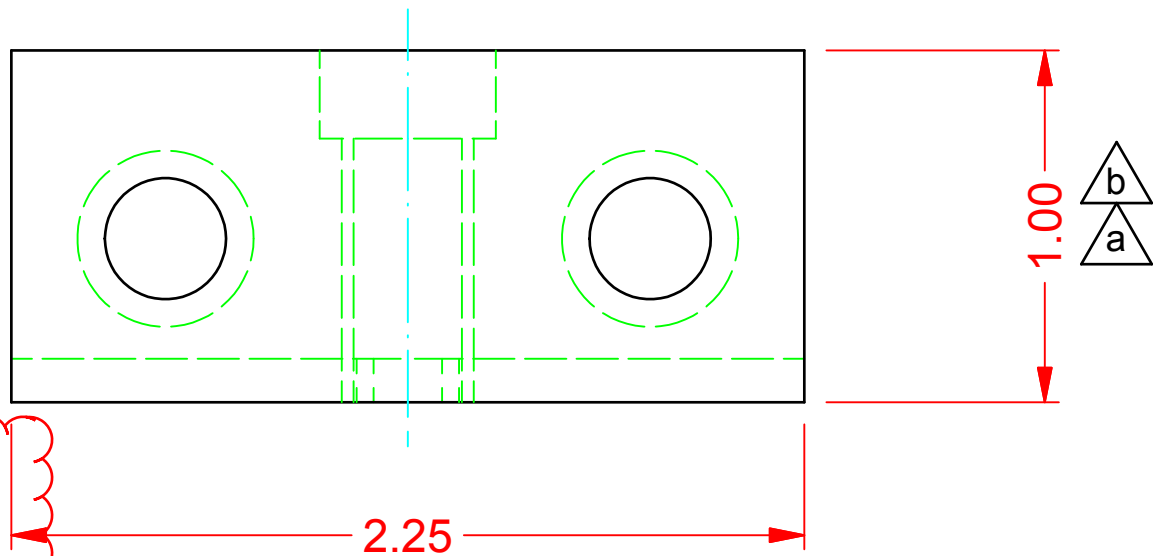
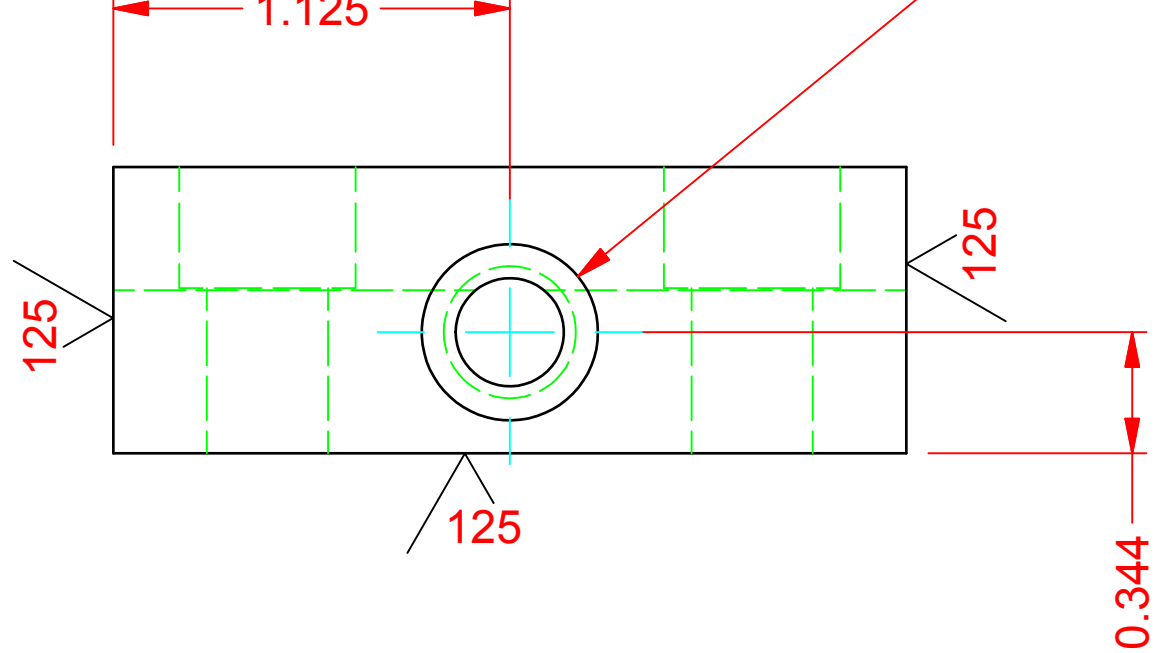
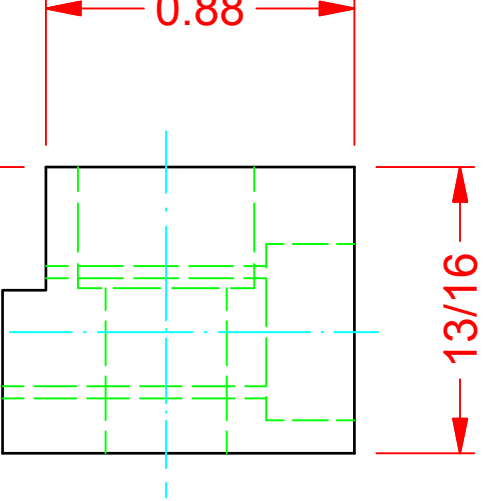
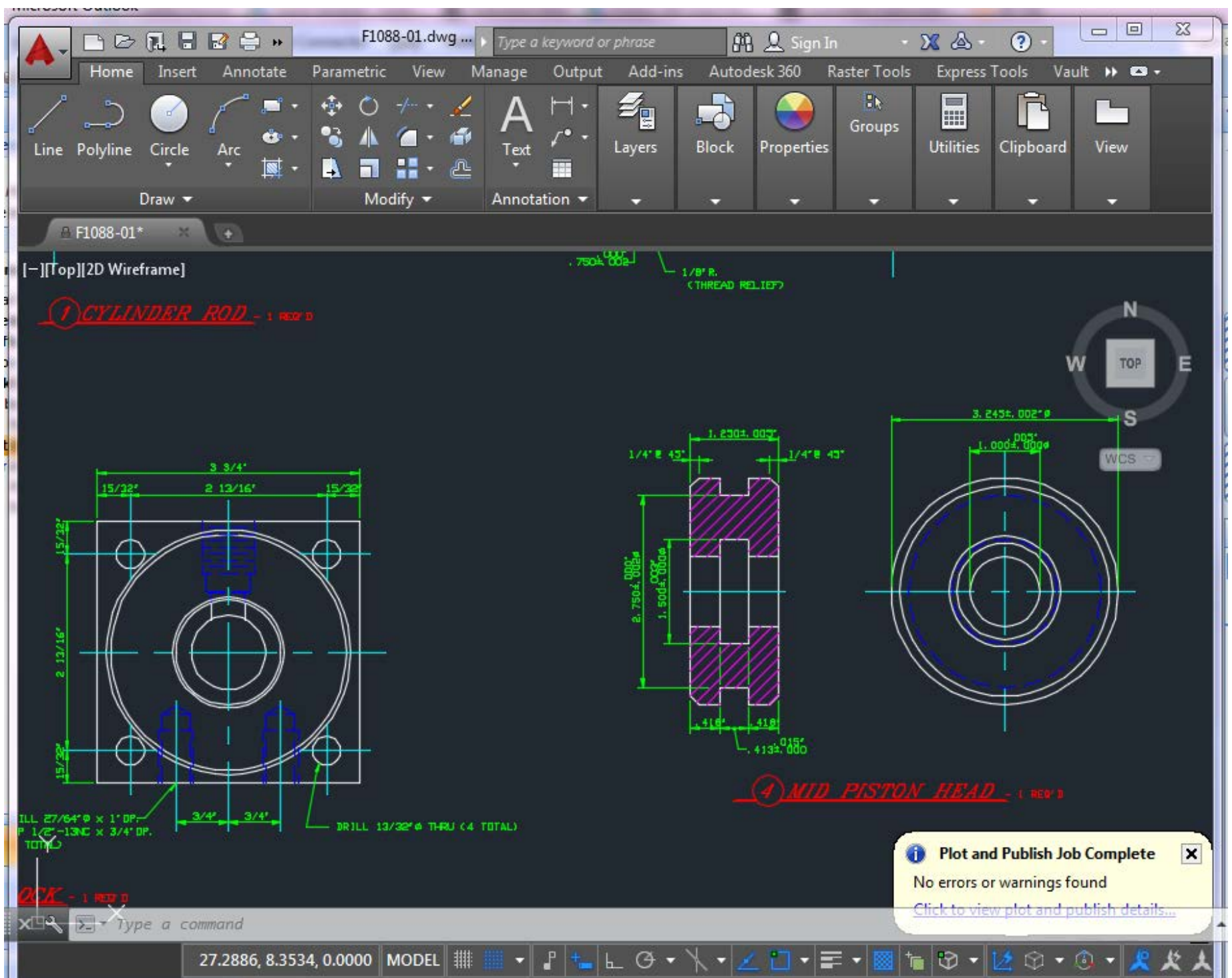


In Inventor. This is the portion of the print that I want to print. I will print using the "Current Window" option in the Print Dialog.



This is what is printed from Inventor using the "Current Window" option. It is like the sheet is pushed away from the viewer a couple clicks of the mouse wheel before its printed. This is very frustrating when trying to print a specific area of the drawing.

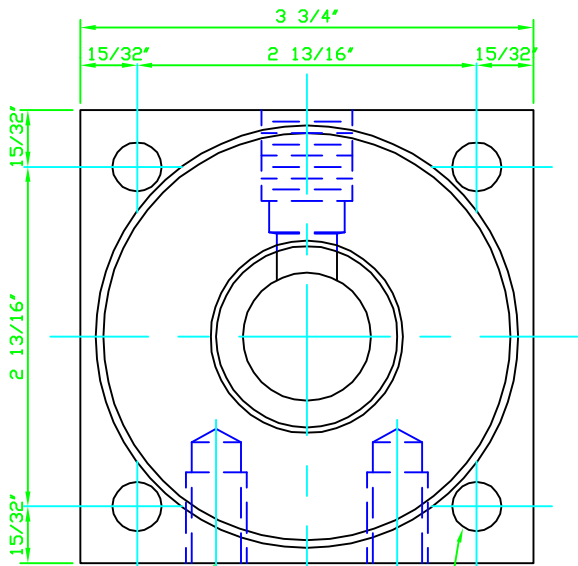
MBOL	b	11/05/14	AKA	1.000 was 0.875, 0.534 was 0.563, Added Notch	Drawn
				Di: 0.001" 0.001" M: 11/05/14	AKA



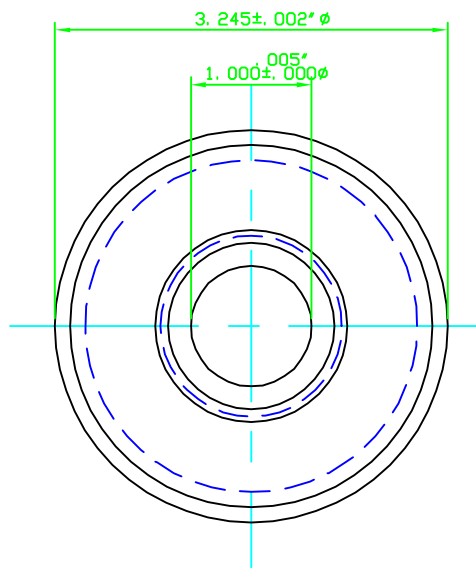
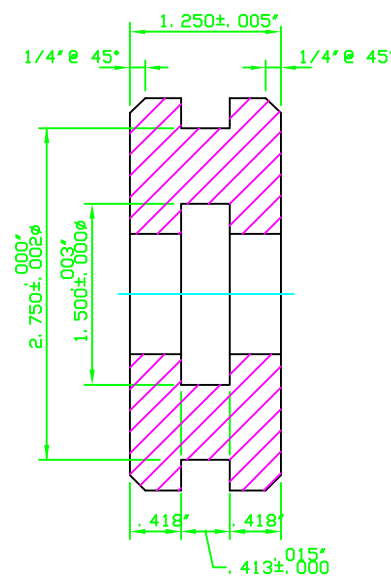
This is the window that I selected in Autocad to print.

.750±.002^{UUU} 1/8" R.
(THREAD RELIEF)

1 CYLINDER ROD - 1 REQ' D



ILL 27/64" ϕ x 1" DP.
P 1/2"-13NC x 3/4" DP.
TOTAL) DRILL 13/32" ϕ THRU < 4 TOTAL >



4 MID PISTON HEAD - 1 REQ' D

OCC - 1 REQ' D

When I printed the above image, this is what I got. Notice how the printed text is cropped off exactly here as it was shown on the previous image. This was printed using the "Display" option.