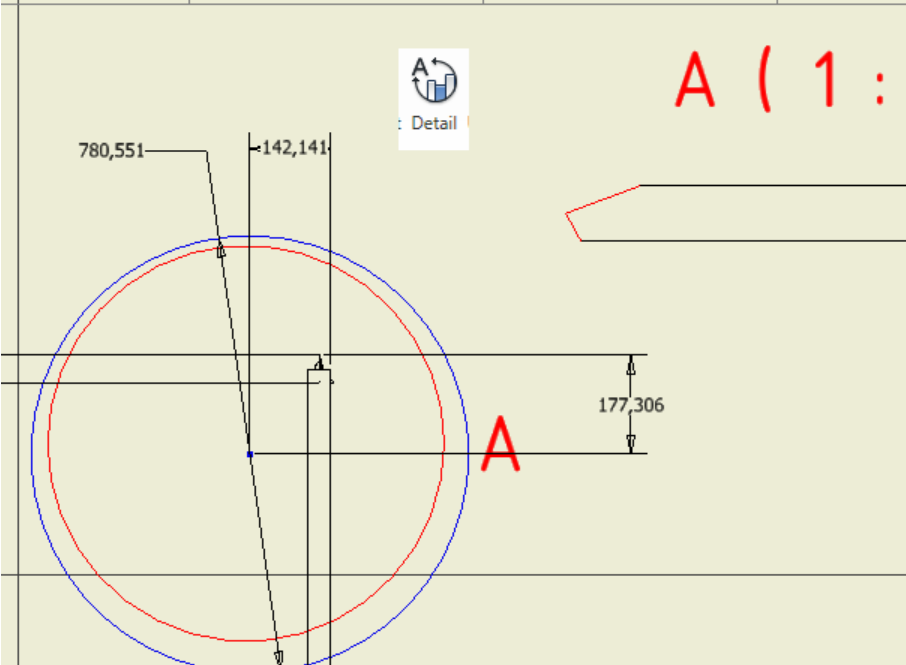
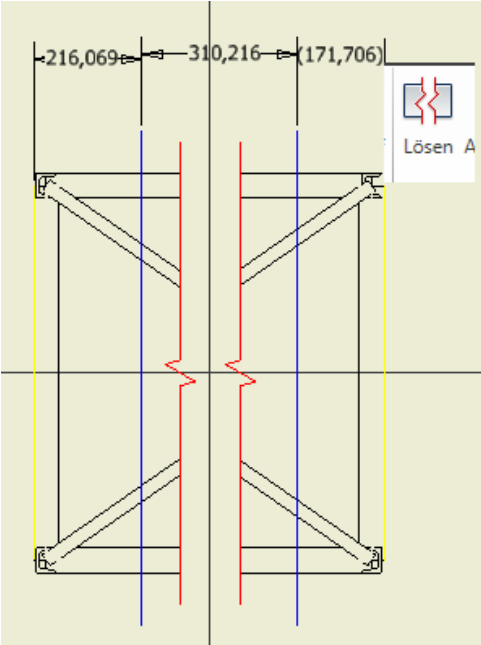


We need more (precise) control for the following kind of 2D drawing views.  
At the moment every massive change inside the 3D content brings trouble inside 2D drawings and is a major problem for a automated drawing process and the normal work to.

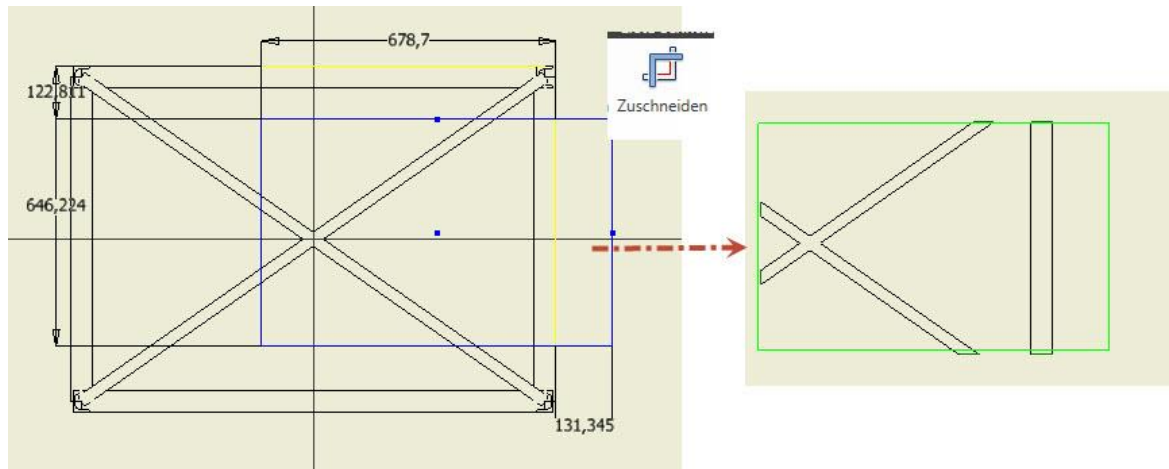
DETAILS



BREAK OUT



## CROP VIEWS



## SOLUTION

Give us the ability to create those views depending on sketches like SECTION VIEWS