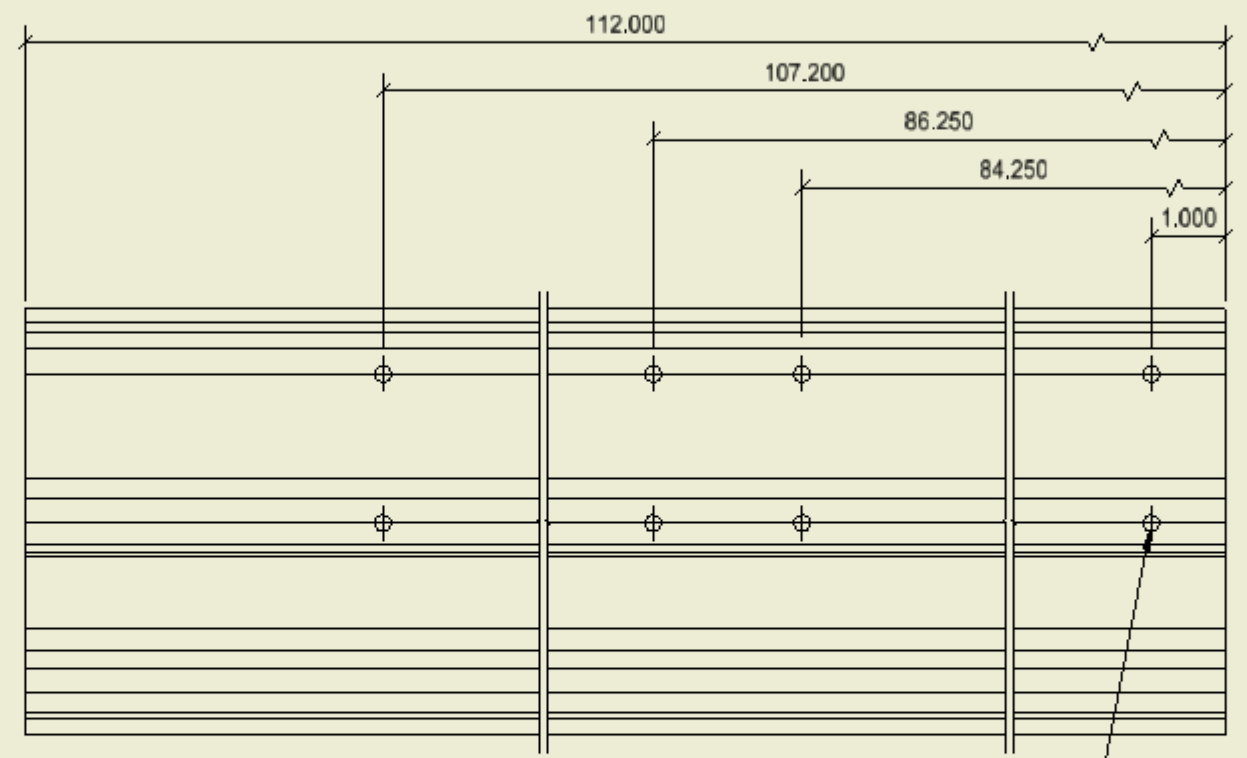
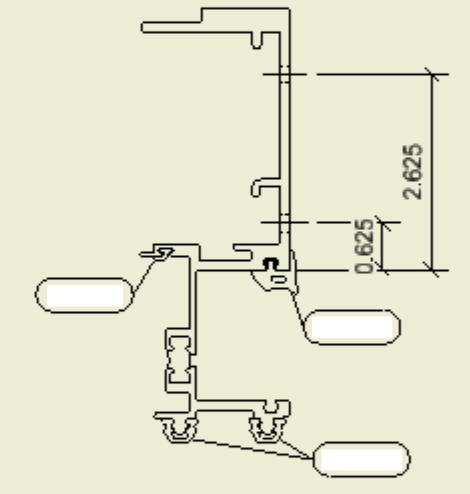


- VM1-01
 - Drawing Resources
 - Sheet: 1
 - BAGS 11x17 Border
 - BAGS 11x17 Fabrication PART Title Block
 - AutoCAD Blocks
 - RIGHT SIDE VIEW:VM1-01.ipt



TOP VIEW



RIGHT SIDE VIEW

PROJECT INFO.

PART INFO.

DRAWING TYPE:

PART

DRAWING NUMBER: