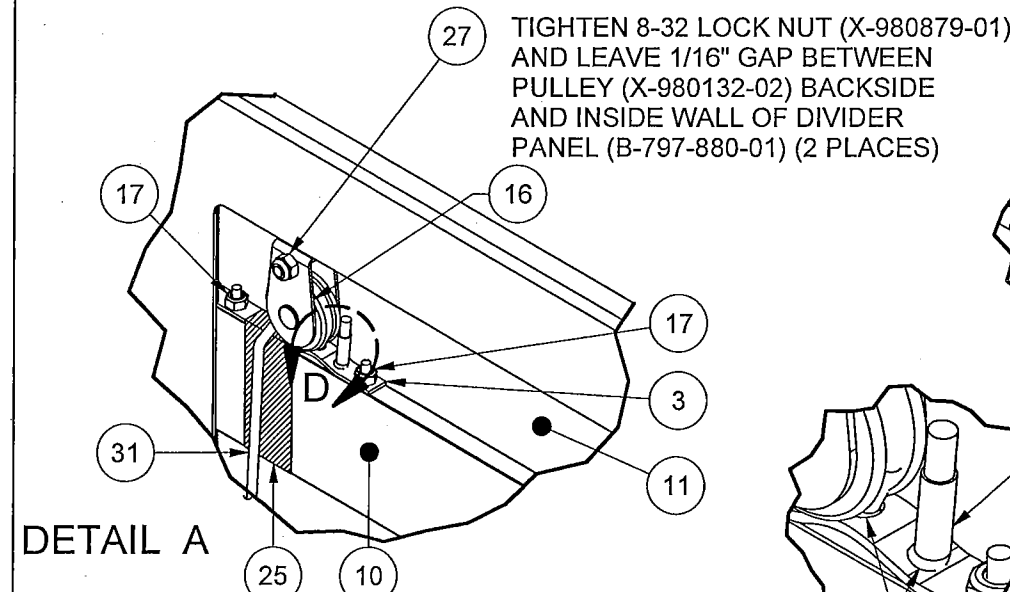
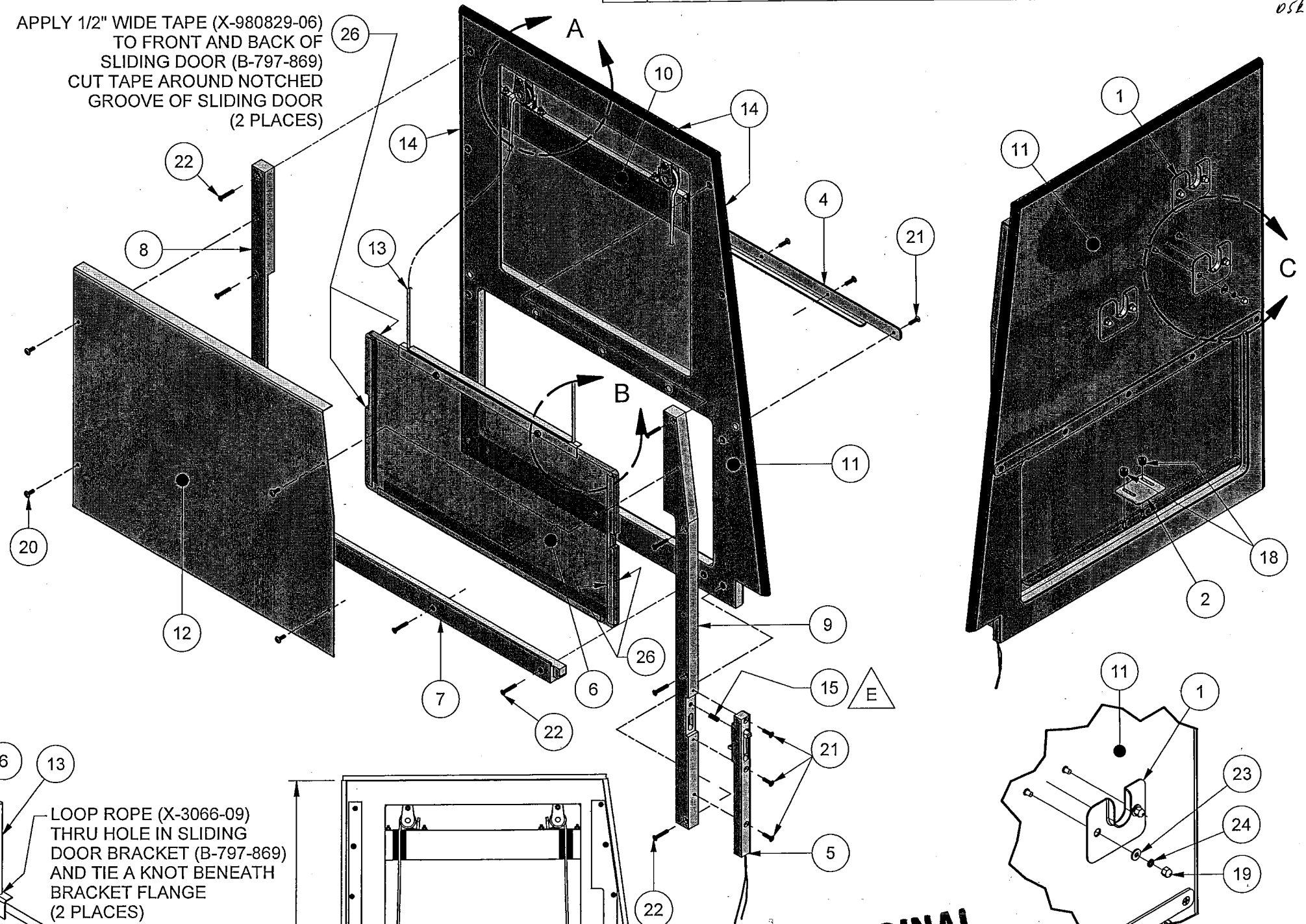


| Parts List |     |               |   |
|------------|-----|---------------|---|
| ITEM       | QTY | PART NUMBER   | DESCRIPTION                                       |
| 1          | 3   | A-407-1230-01 | MOUNTING BRACKET IV BAR                           |
| 2          | 1   | A-480-8003    | WINDOW PUSH BLOCK                                 |
| 3          | 2   | A-797-878     | ROPE CLAMP  |
| 4          | 1   | B-797-778-01  | WINDOW STIFFENER, L.S.                            |
| 5          | 1   | B-797-822-01  | ASSY, NR INTERLOCK, LEFT                          |
| 6          | 1   | B-797-869     | ASSY, INNER SLIDING DOOR                          |
| 7          | 1   | B-797-873     | BOTTOM SILL                                       |
| 8          | 1   | B-797-874-01  | REAR GLIDE SLIDE RAIL, L.S., INNER DIVIDER PANEL  |
| 9          | 1   | B-797-875-01  | FRONT GLIDE SLIDE RAIL, L.S., INNER DIVIDER PANEL |
| 10         | 1   | B-797-877     | COUNTER WEIGHT .375 X 2 X 16                      |
| 11         | 1   | B-797-880-01  | HARDWARE ASSY, SST DIVIDER PANEL, L.S.            |
| 12         | 1   | B-797-887-01  | COVER, INNER DIVIDER, L.S.                        |
| 13         | A/R | X-3066-09     | ROPE, BRAIDED, POLYESTER, .156" DIA.              |
| 14         | A/R | X-3071-27     | GASKET, D-SEAL, .500" X .360"                     |
| 15         | 1   | X-980064-10   | SPRING, COMPRESSION, 5.60#, .625 LG, SST          |
| 16         | 2   | X-980132-02   | PULLEY  |
| 17         | 4   | X-980430-08   | 6-32 NYLON LOCK NUT                               |
| 18         | 2   | X-980469      | 8-32 KNULRED NUT                                  |
| 19         | 6   | X-980510      | ACORN NUT, 8-32 SST                               |
| 20         | 4   | X-980664-03   | SCREW, TRUSS - 8-32 x .500                        |
| 21         | 8   | X-980683-04   | FLAT HEAD PHILLIPS 8-32 X 5/8                     |
| 22         | 11  | X-980694-07   | SCR PFHMS 8-32 X 1" SST                           |
| 23         | 6   | X-980794-01   | FLAT WASHER, #8                                   |
| 24         | 6   | X-980795-01   | LOCK WASHER #8                                    |
| 25         | A/R | X-980829-01   | TAPE, UHMW, 10 MIL THICK, 1.000" WIDE             |
| 26         | A/R | X-980829-06   | TAPE, UHMW, 20 MIL THICK, .500" WIDE              |
| 27         | 2   | X-980879-01   | NUT, 8-32, NYLON INSERT, SST                      |
| 28         | A/R | X-999731-04   | 3/16" PVC HEAT SHRINK                             |

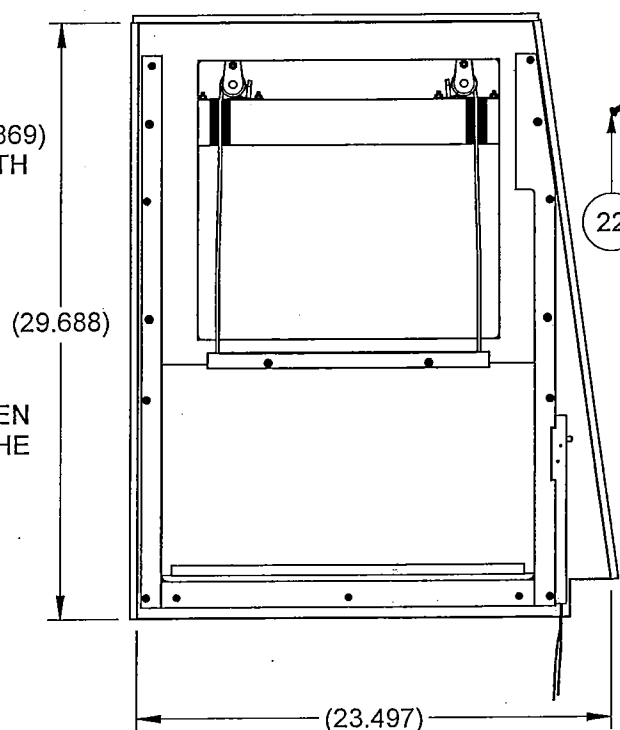
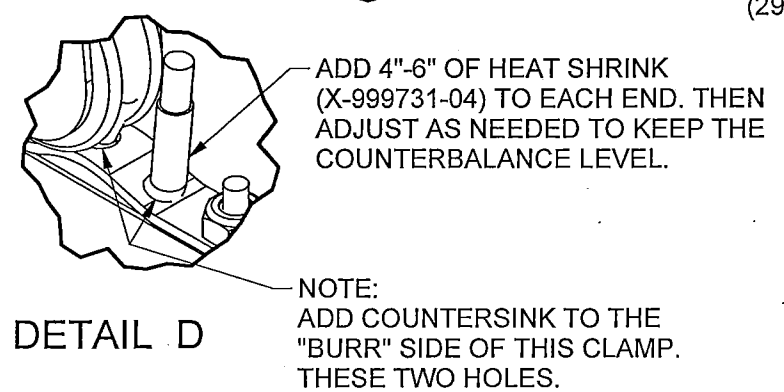
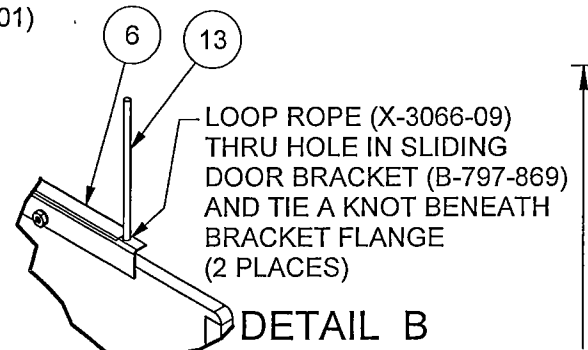
| REV | ECO   | DESCRIPTION                   | DATE      | DFTM | CHKD |
|-----|-------|-------------------------------|-----------|------|------|
| E   | 12051 | REPLACED ITEM 15, -10 WAS -06 | 7/15/2013 | AW   | DSH  |

052

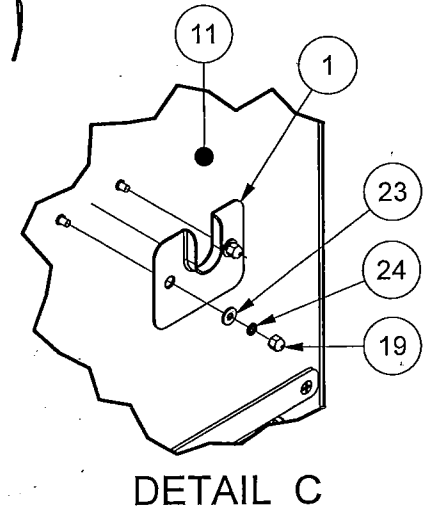
APPLY 1/2" WIDE TAPE (X-980829-06) TO FRONT AND BACK OF SLIDING DOOR (B-797-869) CUT TAPE AROUND NOTCHED GROOVE OF SLIDING DOOR (2 PLACES)



WRAP 1" WIDE TAPE (X-980829-01) AROUND COUNTERWEIGHT (B-797-877) AND ROPE CLAMP (A-797-878) TO PREVENT FRICTION OF ROPE (X-3066-09) AGAINST COUNTERWEIGHT (2 PLACES) (TAPE SEAM ON FAR SIDE)



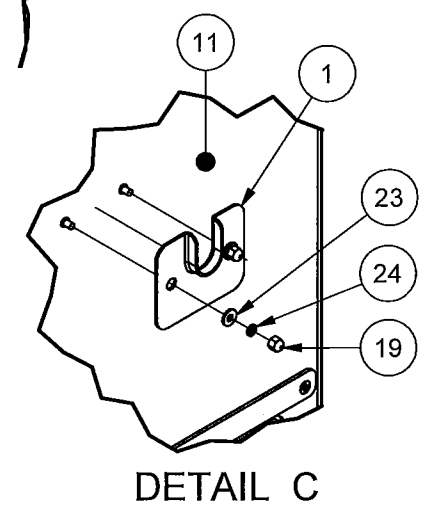
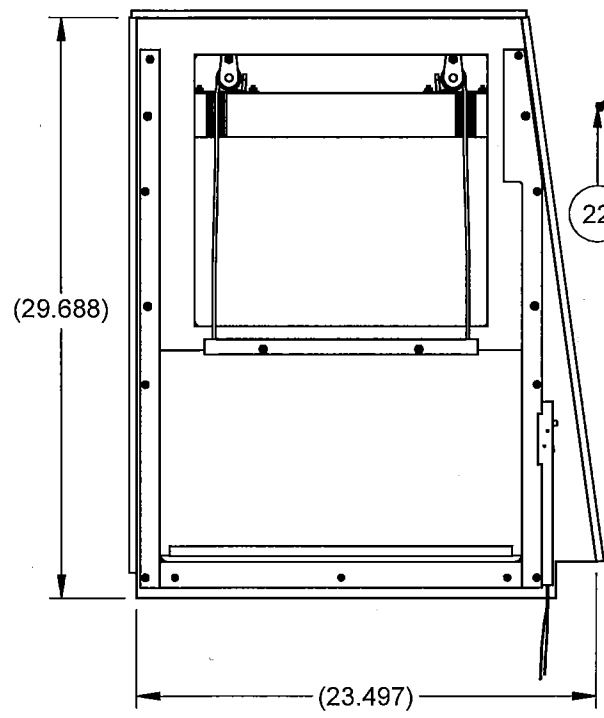
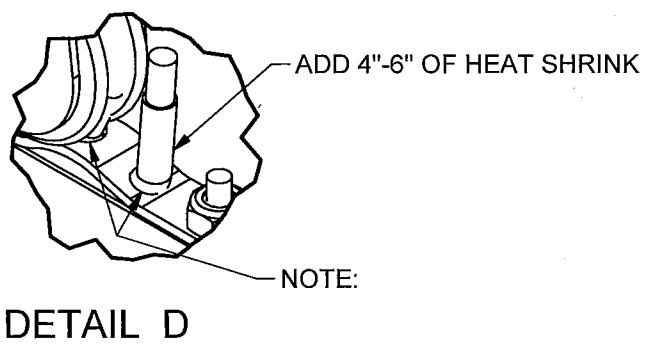
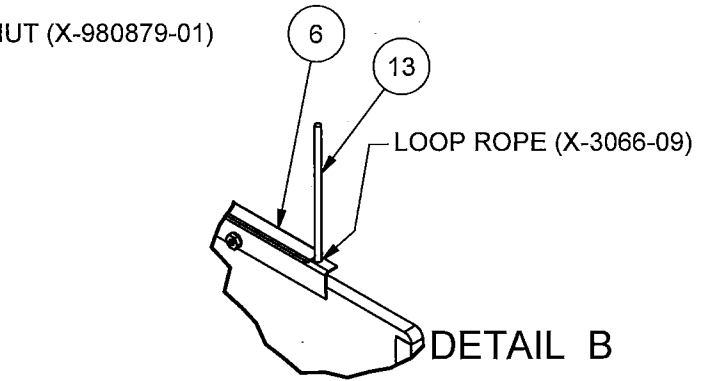
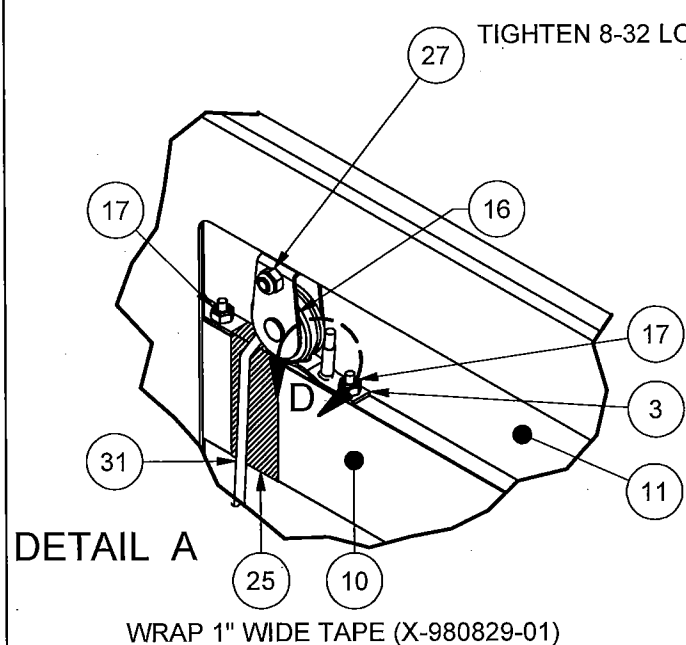
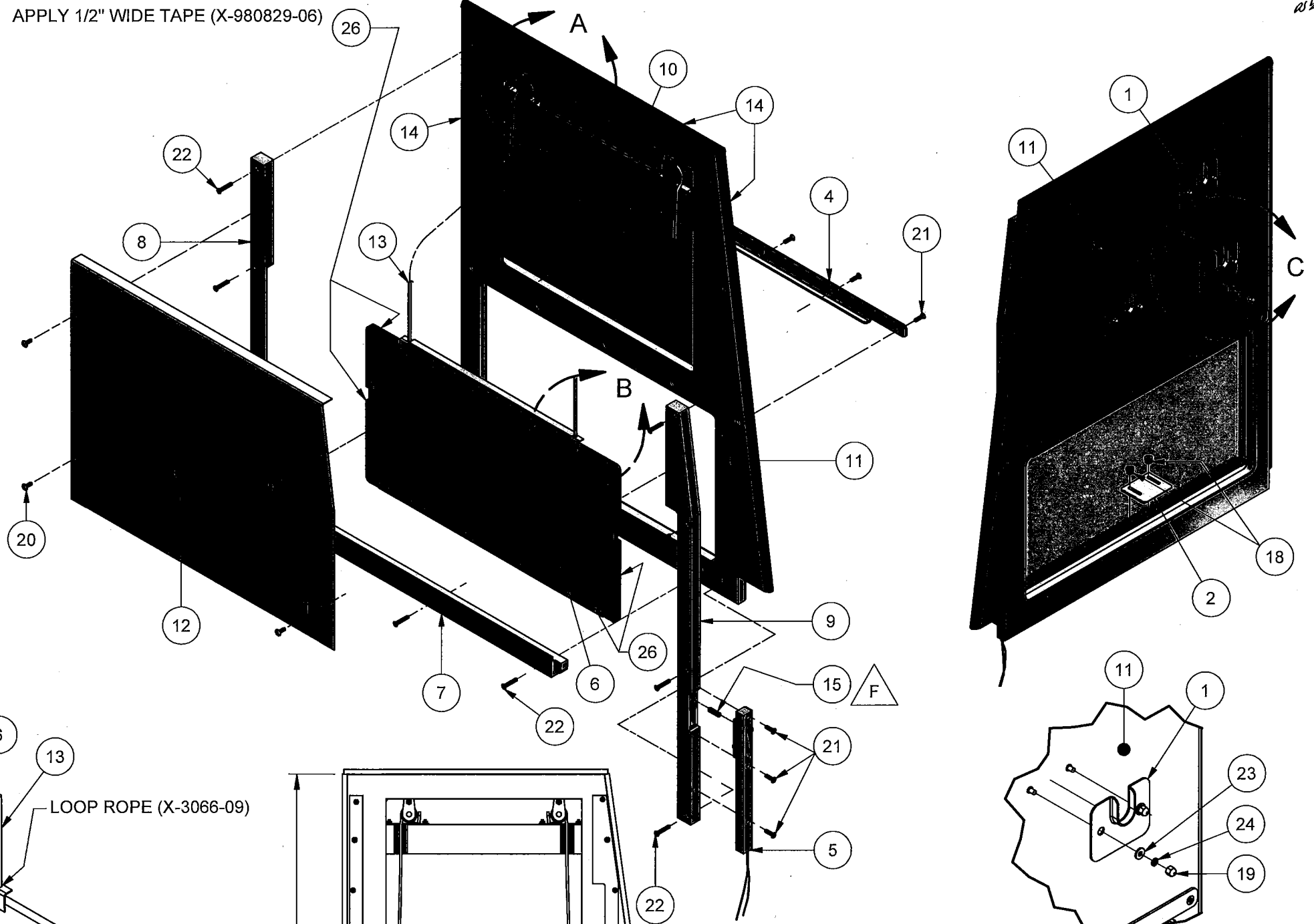
**ORIGINAL**



|   |     |   |              |
|---|-----|---|--------------|
|   |     | <b>PROPRIETARY</b><br>THE INFORMATION CONTAINED HEREIN IS THE EXCLUSIVE PROPERTY OF NUAIRE INC. AND IS NOT TO BE DIVULGED OR USED IN ANY MANNER WITHOUT THE EXPRESS WRITTEN PERMISSION OF NUAIRE INC. |              |
|   |     | DATE  | 7/28/2009    |
| DFTM  | PL  | MATERIAL  | AS NOTED     |
| CHKD  | DSH | PART NUMBER   | B-797-884-01 |
| UNLESS OTHERWISE SPECIFIED DIMENSIONS ARE IN INCHES<br>-TOLERANCES-<br>DECIMALS ± .032<br>ANGLES ± 2° |     | PROJECT NUMBER  |              |
|   |     |   | SHEET 1 OF 1 |

| Parts List |     |               |   |
|------------|-----|---------------|---|
| ITEM       | QTY | PART NUMBER   | DESCRIPTION                                       |
| 1          | 3   | A-407-1230-01 | MOUNTING BRACKET IV BAR                           |
| 2          | 1   | A-480-8003    | WINDOW PUSH BLOCK                                 |
| 3          | 2   | A-797-878     | ROPE CLAMP  |
| 4          | 1   | B-797-778-01  | WINDOW STIFFENER, L.S.                            |
| 5          | 1   | B-797-822-01  | ASSY, NR INTERLOCK, LEFT                          |
| 6          | 1   | B-797-869     | ASSY, INNER SLIDING DOOR                          |
| 7          | 1   | B-797-873     | BOTTOM SILL                                       |
| 8          | 1   | B-797-874-01  | REAR GLIDE SLIDE RAIL, L.S., INNER DIVIDER PANEL  |
| 9          | 1   | B-797-875-01  | FRONT GLIDE SLIDE RAIL, L.S., INNER DIVIDER PANEL |
| 10         | 1   | B-797-877     | COUNTER WEIGHT .375 X 2 X 16                      |
| 11         | 1   | B-797-880-01  | HARDWARE ASSY, SST DIVIDER PANEL, L.S.            |
| 12         | 1   | B-797-887-01  | COVER, INNER DIVIDER, L.S.                        |
| 13         | A/R | X-3066-09     | ROPE, BRAIDED, POLYESTER, .156" DIA.              |
| 14         | A/R | X-3071-27     | GASKET, D-SEAL, .500" X .360"                     |
| 15         | 1   | X-980064-11   | SPRING, COMP .750 X .24 O.D.9.19# 320 SST         |
| 16         | 2   | X-980132-02   | PULLEY  |
| 17         | 4   | X-980430-08   | 6-32 NYLON LOCK NUT                               |
| 18         | 2   | X-980469      | 8-32 KNULRED NUT                                  |
| 19         | 6   | X-980510      | ACORN NUT, 8-32 SST                               |
| 20         | 4   | X-980664-03   | SCREW, TRUSS - 8-32 x .500                        |
| 21         | 8   | X-980683-04   | FLAT HEAD PHILLIPS 8-32 X 5/8                     |
| 22         | 11  | X-980694-07   | SCR PFHMS 8-32 X 1" SST                           |
| 23         | 6   | X-980794-01   | FLAT WASHER, #8                                   |
| 24         | 6   | X-980795-01   | LOCK WASHER #8                                    |
| 25         | A/R | X-980829-01   | TAPE, UHMW, 10 MIL THICK, 1.000" WIDE             |
| 26         | A/R | X-980829-06   | TAPE, UHMW, 20 MIL THICK, .500" WIDE              |
| 27         | 2   | X-980879-01   | NUT, 8-32, NYLON INSERT, SST                      |
| 28         | A/R | X-999731-04   | 3/16" PVC HEAT SHRINK                             |

| REV | ECO   | DESCRIPTION      | DATE       | DFTM | CHKD |
|-----|-------|------------------|------------|------|------|
| F   | 12537 | REPLACED ITEM 15 | 11/25/2014 | LS   | DSH  |



|   |           |   |  |
|---|-----------|---|--|
|   |           | <b>PROPRIETARY</b><br>THE INFORMATION CONTAINED HEREIN IS THE EXCLUSIVE PROPERTY OF NUAIRE INC. AND IS NOT TO BE DIVULGED OR USED IN ANY MANNER WITHOUT THE EXPRESS WRITTEN PERMISSION OF NUAIRE INC. |  |
| DATE  | 7/28/2009 | TITLE   |  |
| DFTM  | PL        | ASSEMBLY, INNER DIVIDER PANEL, NR, L.S.   |  |
| CHKD  | DSH       | MATERIAL  |  |
| UNLESS OTHERWISE SPECIFIED DIMENSIONS ARE IN INCHES<br>-TOLERANCES-<br>DECIMALS ± .032<br>ANGLES ± 2' |           | AS NOTED  |  |
| PART NUMBER   |           | B-797-884-01  |  |
| PROJECT NUMBER  |           | F   |  |
|   |           | SHEET 1 OF 1  |  |