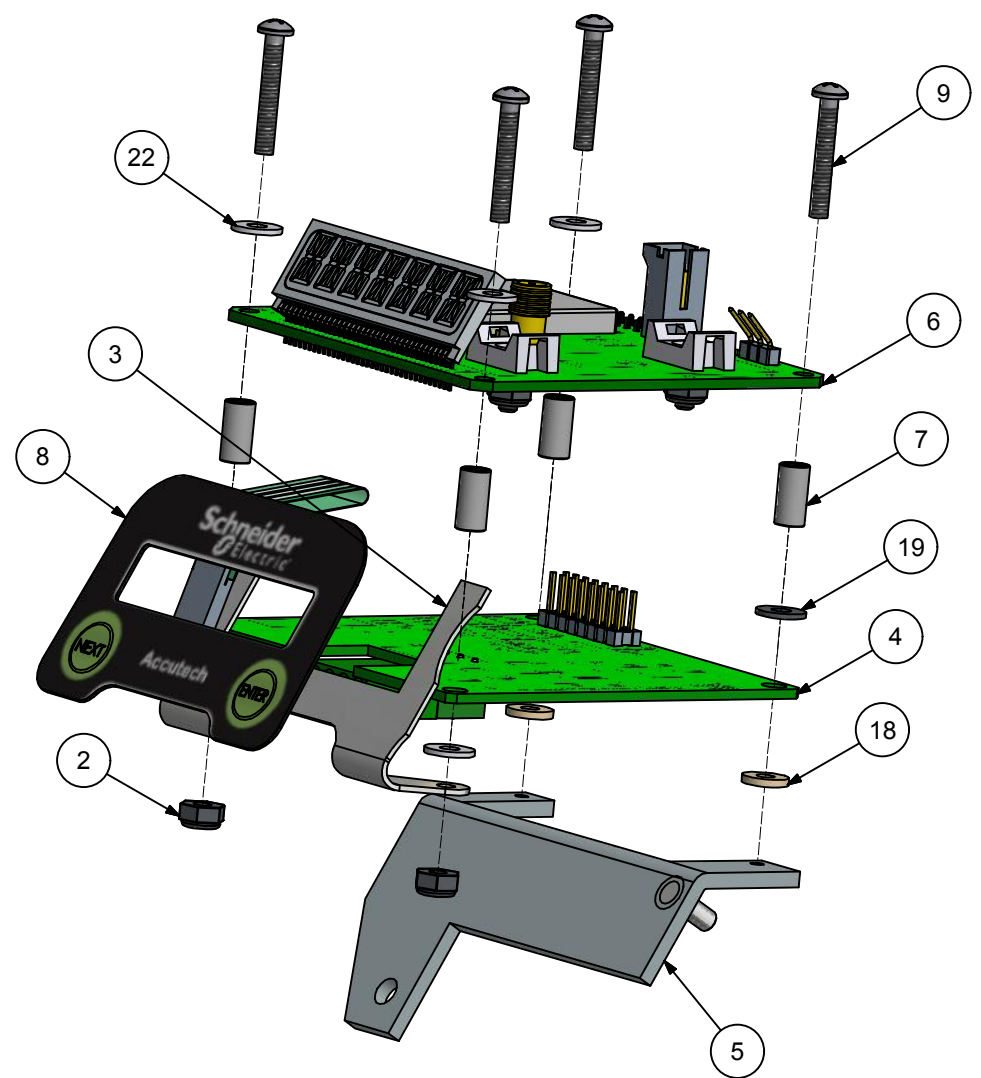
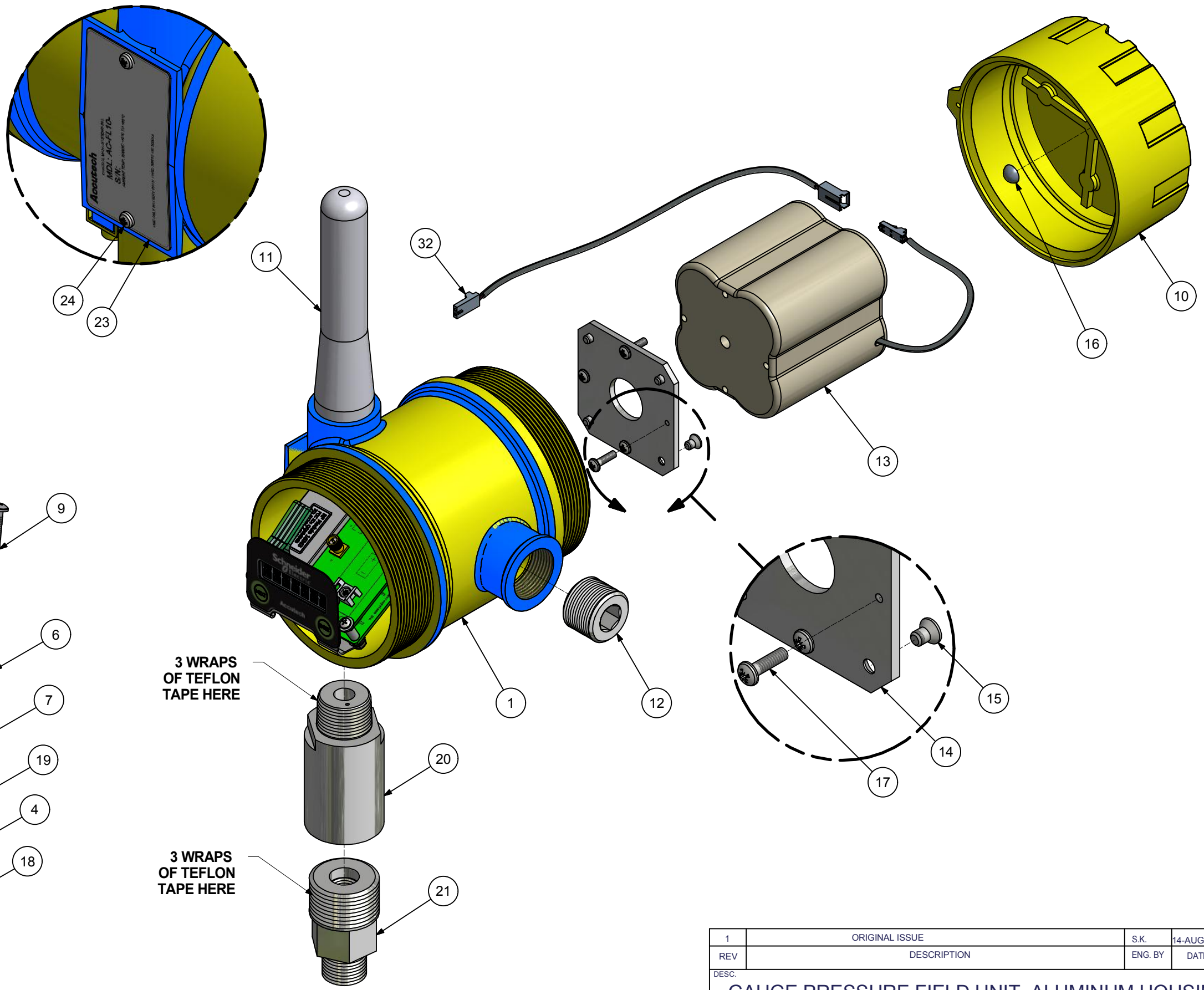


PARTS LIST

ITEM	QTY	PID	DESCRIPTION
1	1	N/A	HOUSING XP MODIFIED
2	2	16092	NUT, 4-40, NYLON INSERT
3	1	N/A	DISPLAY BRACKET
4	1	N/A	3901 PCB ASSEMBLY
5	1	240405	BRACKET MTG XP 90 DEG ROTATE
6	1	N/A	RF PCB ASSEMBLY
7	4	16757	SPACER #4 3/16 OD X 3/8"
8	1	N/A	MEMBRANE SWITCH
9	4	14433	SCREW, PANHEAD, 4-40 x 3/4"
10	1	N/A	END CAP, NO WINDOW (PART OF ITEM #1)
11	1	N/A	COVER ANTENNA WHITE
12	1	280383	PLUG, CONDUIT
13	1	N/A	BATTERY PACK ASSEMBLY
14	1	N/A	MOUNTING PLATE, BATTERY HOLDER 4 "D" CELLS
15	4	12300	SCREW, FLATHEAD, 8-32 x 1/4"
16	1	240412	BUMPER, DOME, 3/8"
17	4	280256	SCREW, PANHEAD, 6-32 x 1/2"
18	2	280008	WASHER NYLON #4
19	1	17507	WASHER, 5/16 OD
20	1	16417	VR1500 PRESSURE SENSOR SOCKET
21	1	16416	1/4 NPT- VR1500 HIGH PRES PROCESS CONNECTOR
22	5	15166	WASHER, NYLON
23	1	N/A	NAMEPLATE
24	2	280413	SCREW, PANHEAD, M2.5 x 3mm



1	ORIGINAL ISSUE	S.K.	14-AUG-2014
REV	DESCRIPTION	ENG. BY	DATE
DESC.			
GAUGE PRESSURE FIELD UNIT, ALUMINUM HOUSING			
Schneider Electric		DWG.#	3070-0008
APPRVD.	DATE:	PART NO.	REV.
		TBUAGPaJdN00ShhhA	1