

Customer:
Project:

Ed.	Date	Auth.	Modification
0	2014-06-19	ACr	



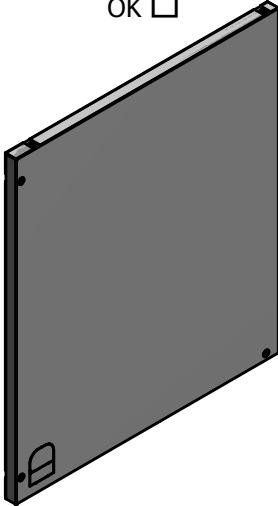
2203067801_test_CSI

SAMENSTELLING VAN 4 SETS

2203032501	4 STUKS		2203037801	4 STUKS	
2203032481	4 STUKS		2203032781	4 STUKS	
2203032381	4 STUKS		2203032081	4 STUKS	
2203032601	4 STUKS				

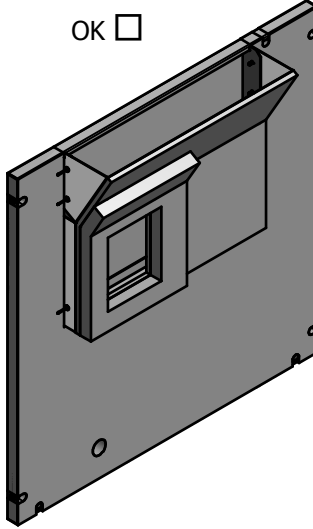
2203032501 (1ST/SET)

OK



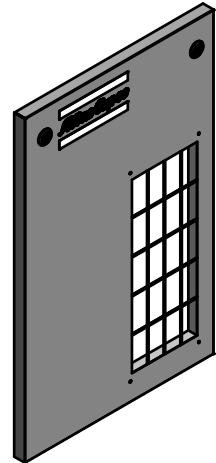
2203032481 (1ST/SET)

OK



2203032381 (1ST/SET)

OK



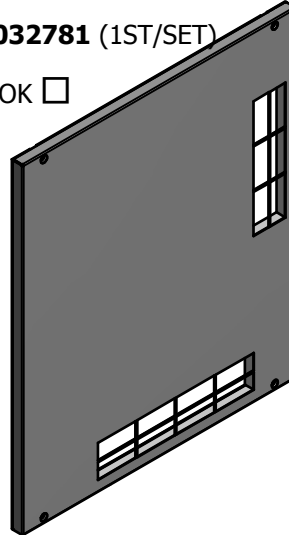
2203037801 (1ST/SET)

OK



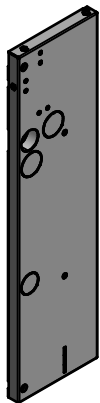
2203032781 (1ST/SET)

OK



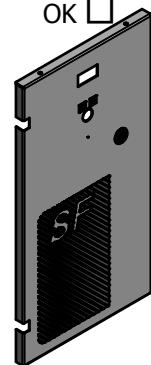
2203032601 (1ST/SET)

OK



2203032081 (1ST/SET)

OK



ALL ITEMS COLOUR : DARK GREY (0017 4002 66)

<u>AANTAL TRACKS</u>		OK <input type="checkbox"/> 7
<u>VERPAKKING</u>		
TEAM		TIKNR
DATUM		PARAAF