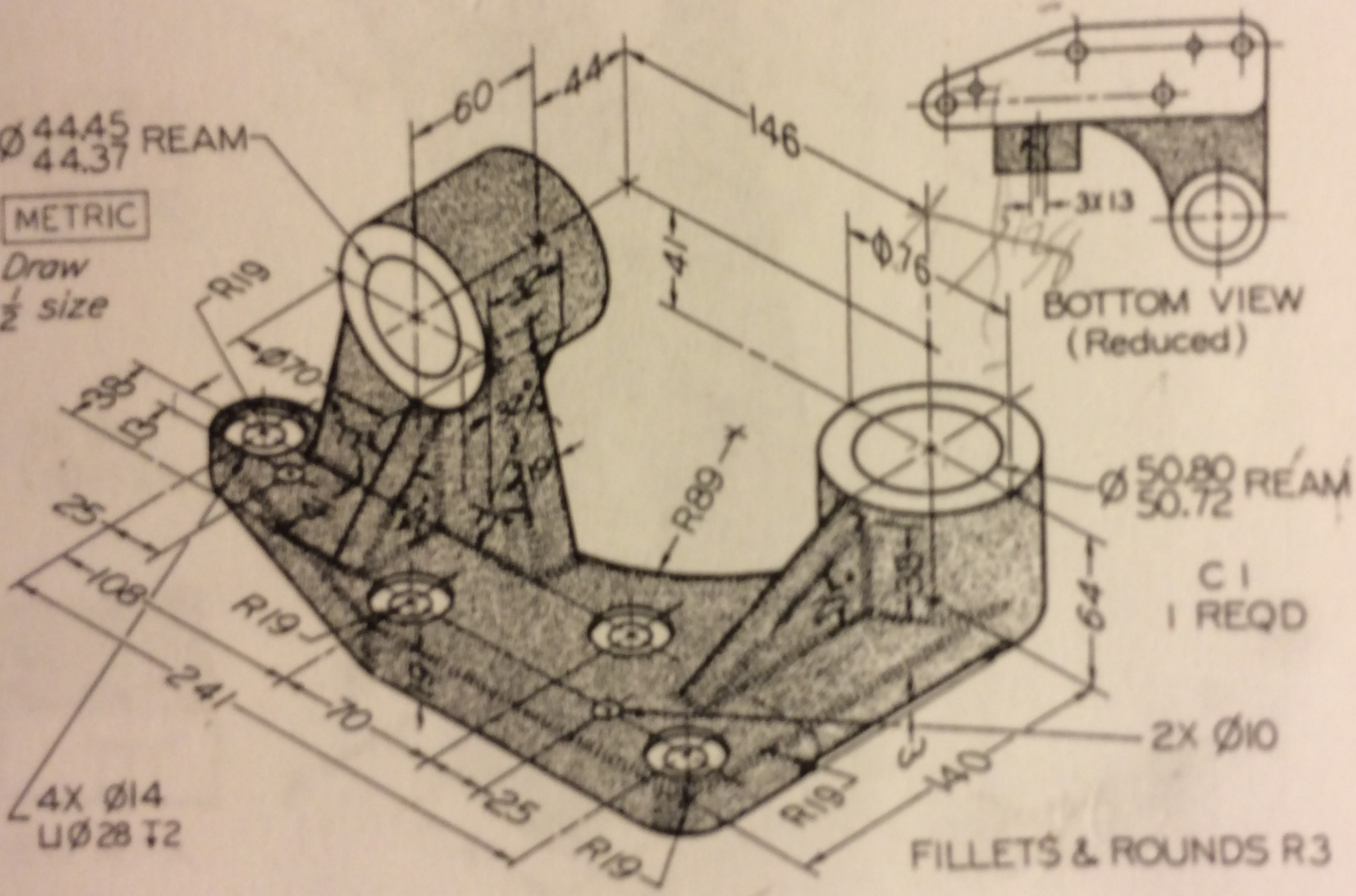


Ø 44.45 REAM
44.37

METRIC

Draw
1/2 size



BOTTOM VIEW
(Reduced)

Ø 50.80 REAM
50.72

C1
1 REQD

2X Ø10

4X Ø14
UØ28 T2

FILLET & ROUNDS R3