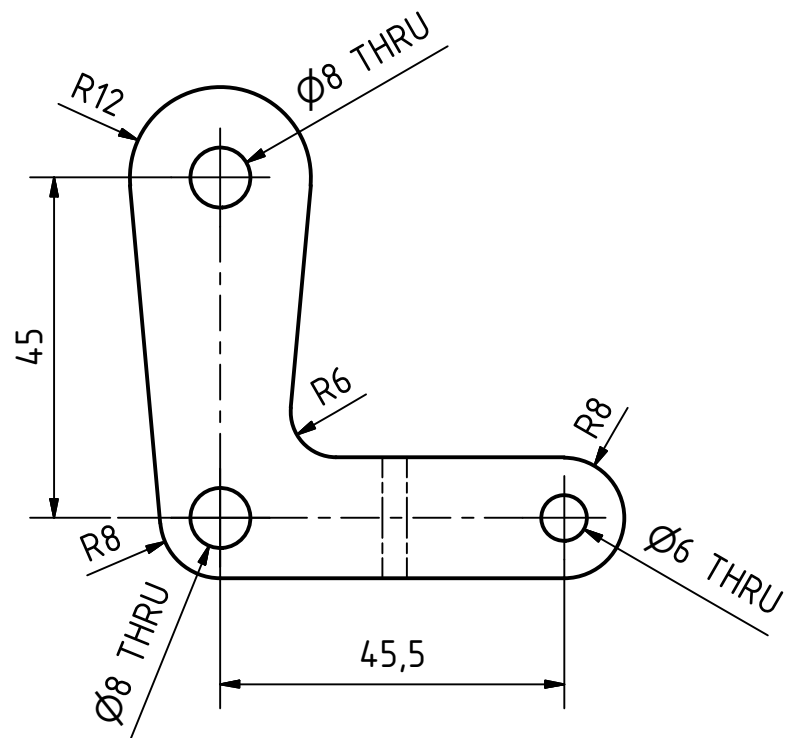
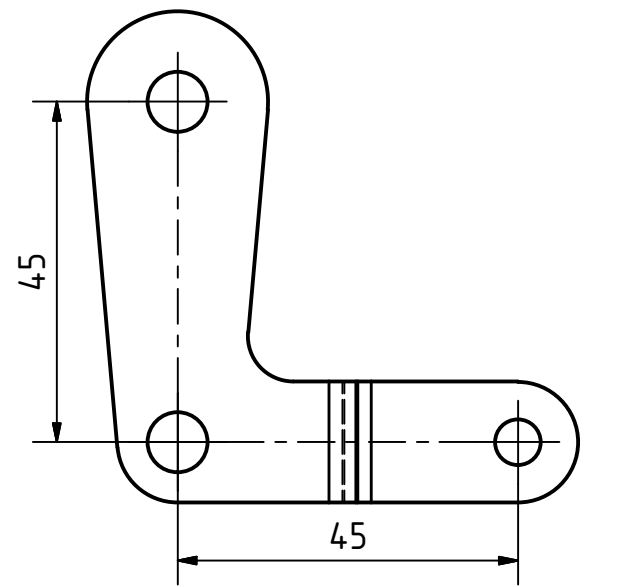


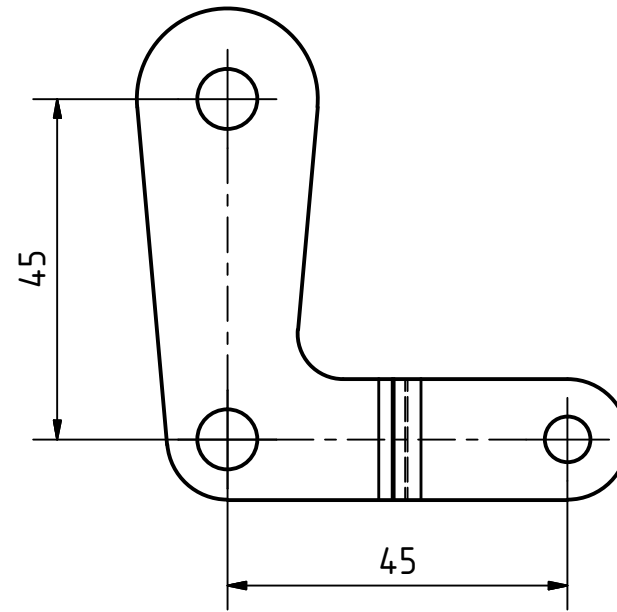
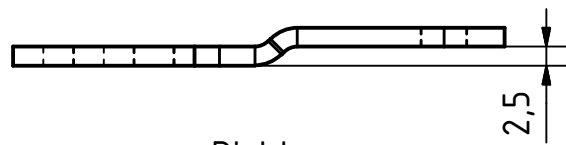
3,2



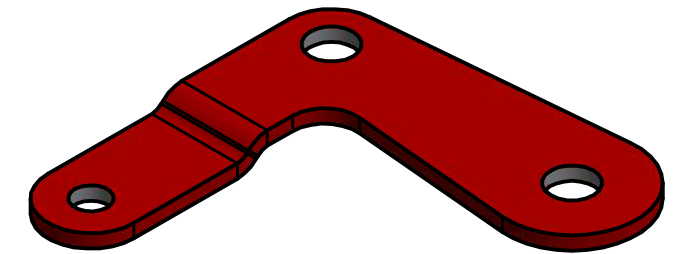
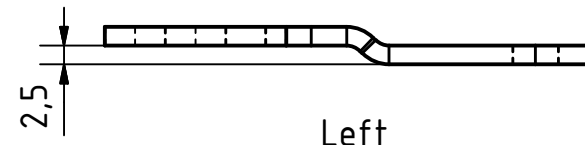
Thickness: 2,5mm  
2x for left and right variant



Right



Left



Break Sharp Edges: 0,1 mm

Revision	Date	Description		
Engineered by: Galba, J.		Name: Galba, J.	Date: 11/02/2012	Scale: 1:1
		Approved: Galba, J.	Date: 11/02/2012	SheetSize: A3
Project: P0007 Tooling			Material: Steel, Mild	
			Total Mass: 0,036 kg	

Title:  
Manual Clamp: width 0 - 75mm  
000.004 Clamp Elbow Right  
000.005 Clamp Elbow Left

Corresponding symbols		▽	▼	▽▽	▼▼	▽▽▽	▼▼▼	
Roughness Classes ( NBN 88-02 ) ( ISO 1302 )		N11	N10	N9	N8	N7	N6	N5
Roughness Value "Ra" in µm ( NBN 88-02 ) ( ISO 1302 )		25	12,5	6,3	3,2	1,6	0,8	0,4
Allowable deviations for dimensions without tolerance indication (machined surfaces)								
For measurements ( deviations in mm )				Fillet and chamfers			Angles ( in Ø and ° )	
Accuracyclass (ISO 2768.1)	Dimensions in mm							
	0,5 to 3	>3 to 6	>6 to 30	>30 to 120	>120 to 400	>400 to 1000	>1000 to 2000	>2000 to 4000
f Fine	Ø0,05	Ø0,05	Ø0,1	Ø0,15	Ø0,2	Ø0,3	Ø0,5	Ø0,8
m Medium	Ø0,1	Ø0,1	Ø0,2	Ø0,3	Ø0,5	Ø0,8	Ø1,2	Ø2
c Rough	Ø0,2	Ø0,3	Ø0,5	Ø0,8	Ø1,2	Ø2	Ø3	Ø4
v Very Rough	-	Ø0,5	Ø1	Ø1,5	Ø2,5	Ø4	Ø6	Ø8
	Dimensions in mm			Dimensions in mm			Length of the shortest leg	
	0,5 to 3	>3 to 6	>6 to 30	0,5 to 3	>3 to 6	>6 to 30	to 10	>10 to 50
								>50 to 120
								>120 to 400
								above 400



Drawingnumber: P0007-000.004	Sheet: 0001
Design State: Released	Drawing made with autodesk Inventor Revisions only permitted by CAD

This document is for educational purposes only and property of Inventor Wizard. It shall not without our permission be altered, copied, used for manufacturing or communicated to any other person or company.