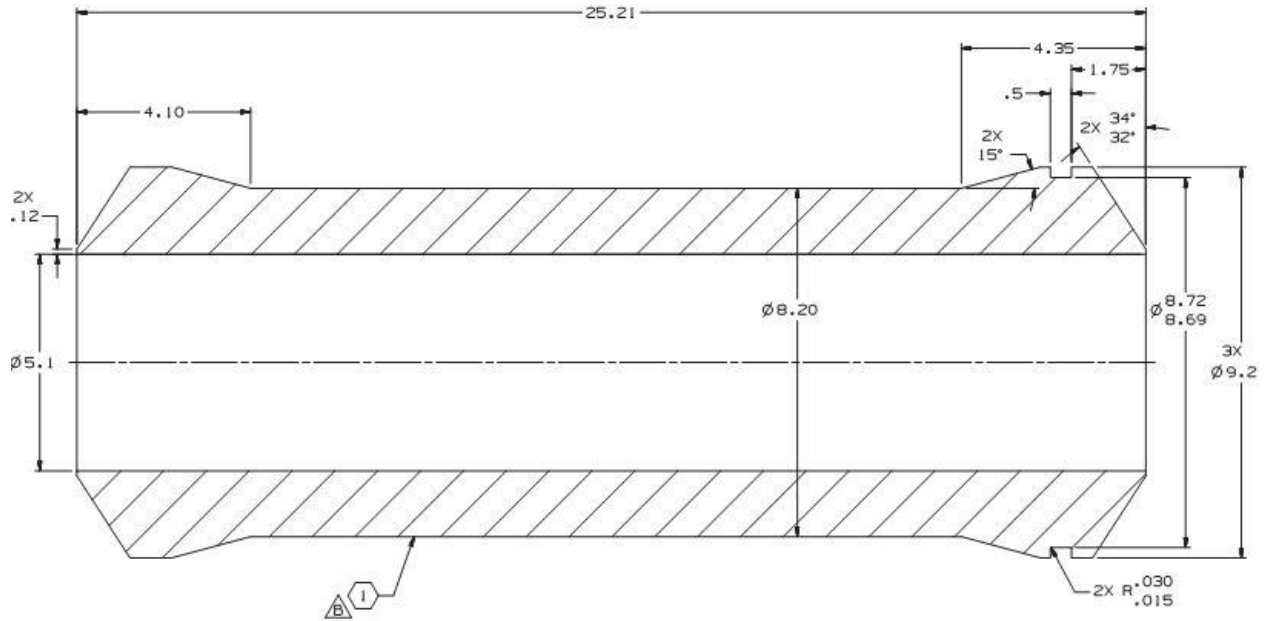
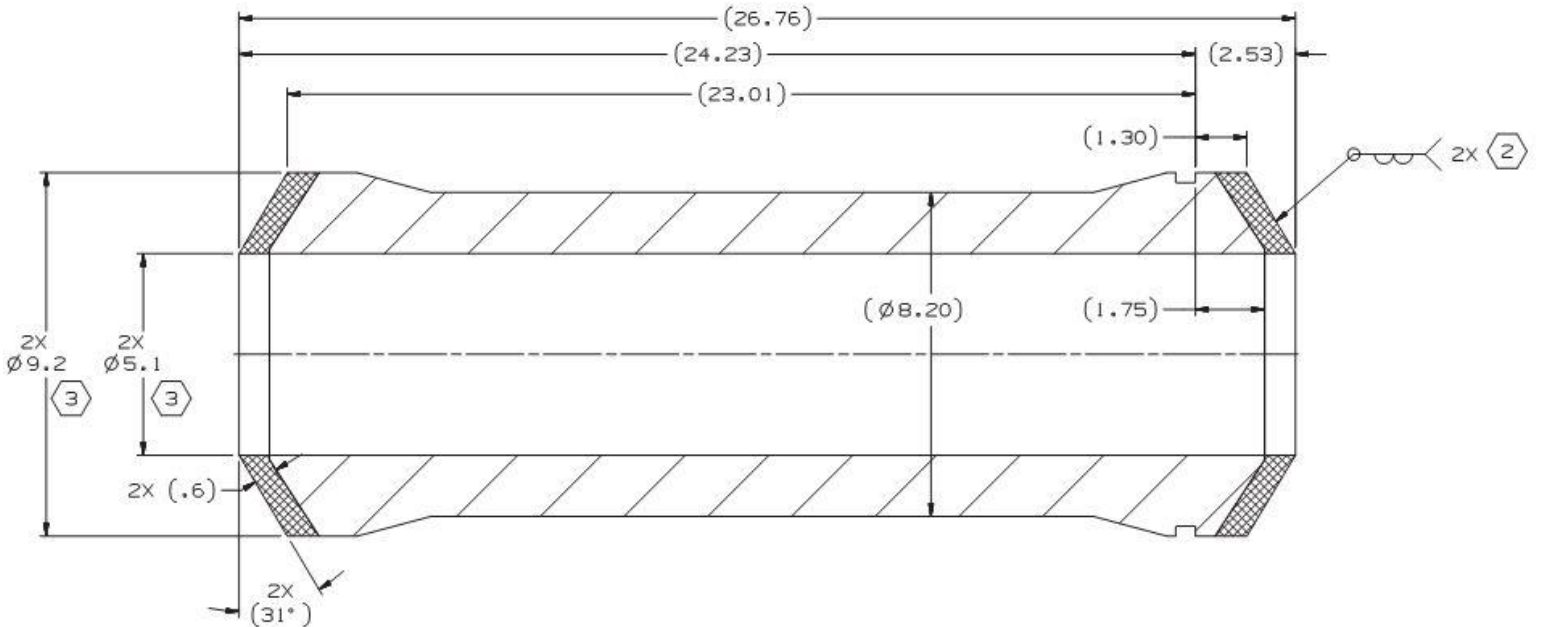


Step 1: Forging Part



Step 2: Machined Forging



Step 3: Hatched area represents where we add weld

Step 4: Machining some of the hatched weld away