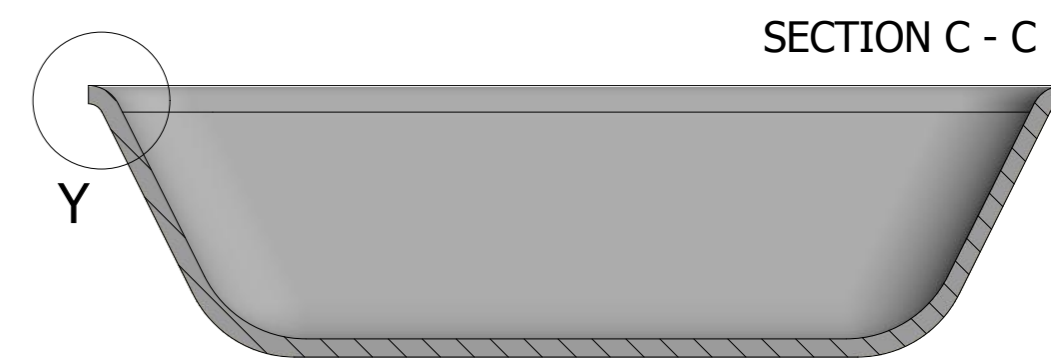
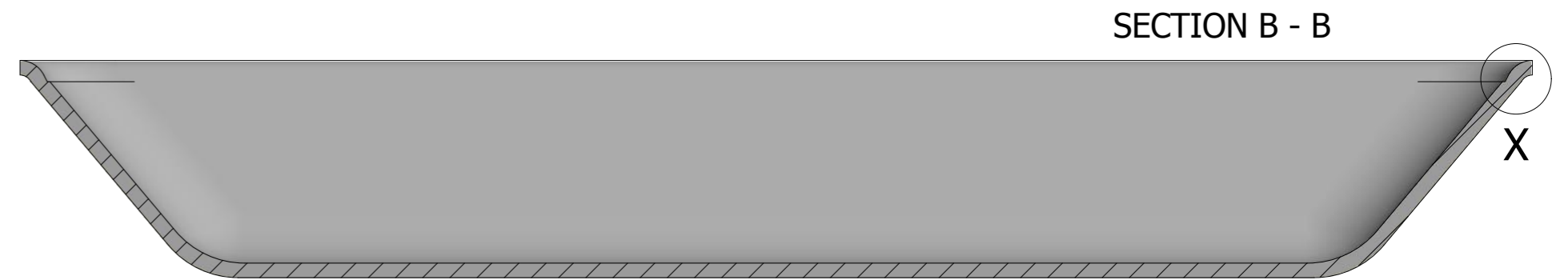
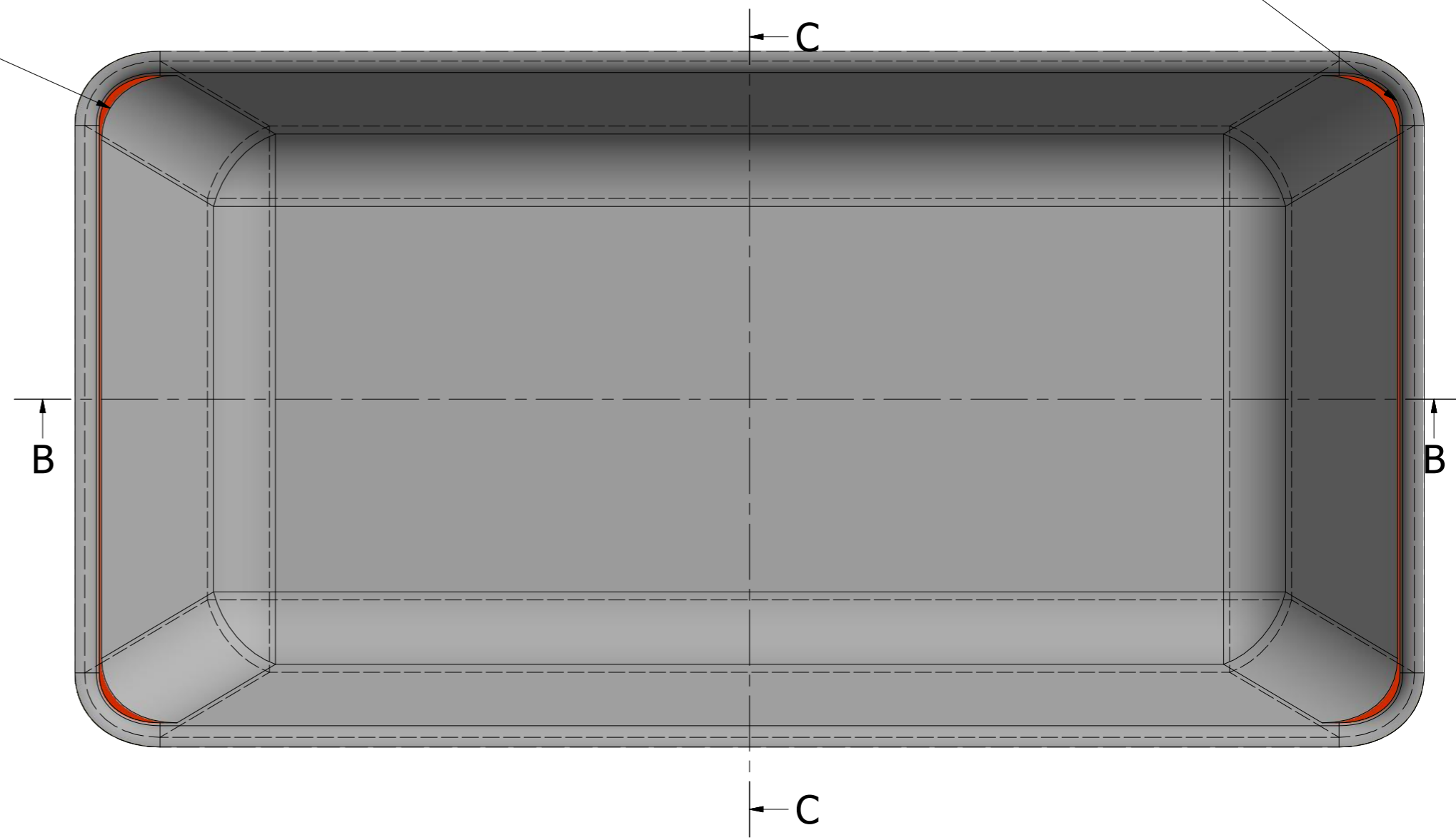
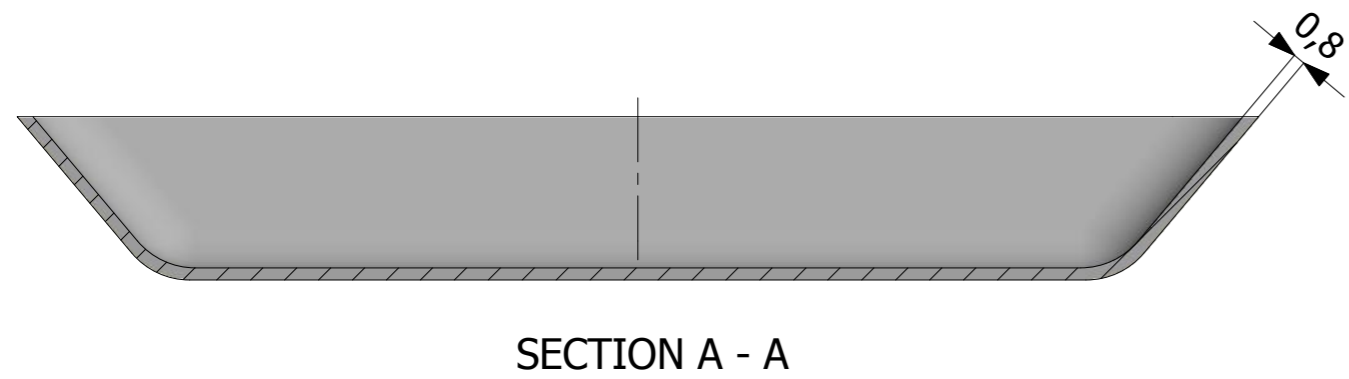
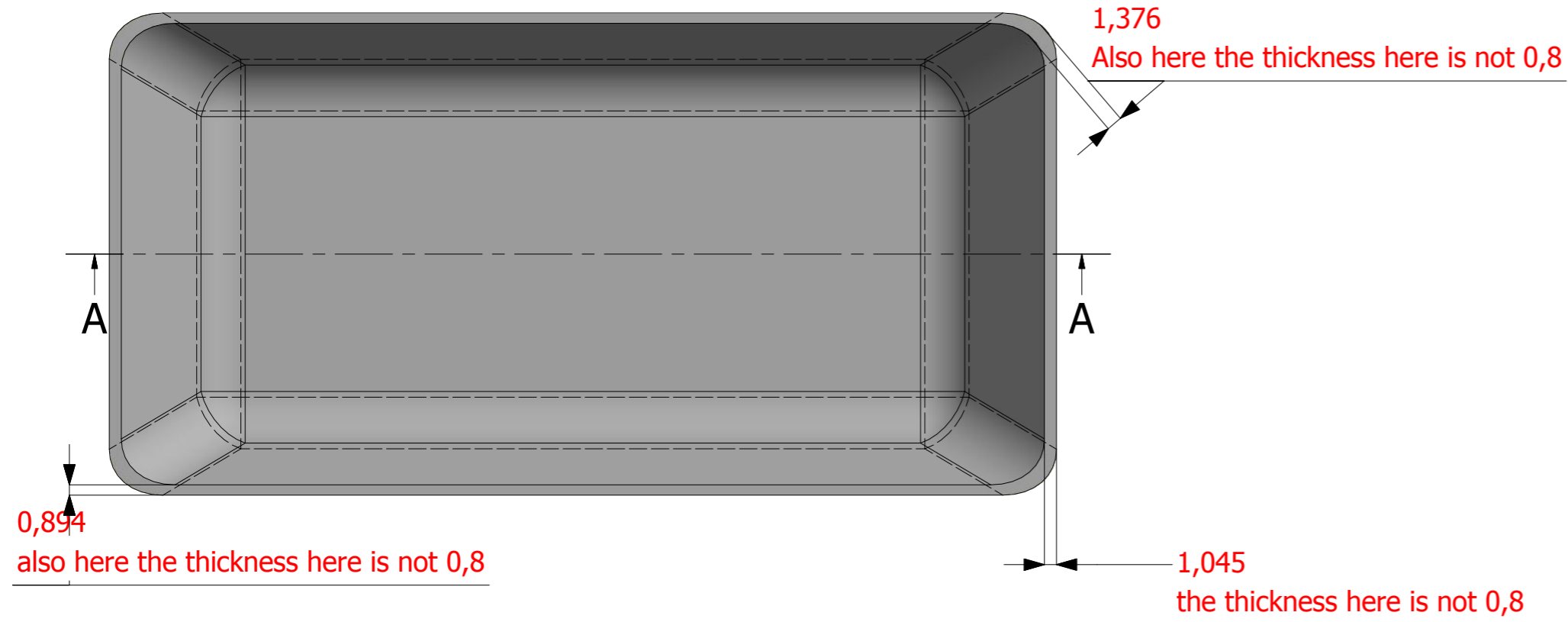
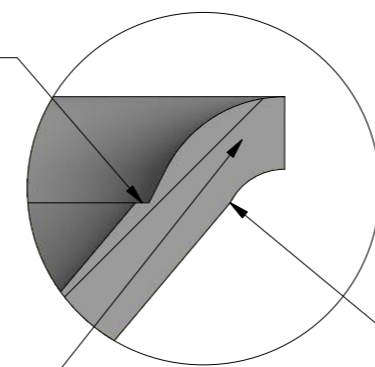


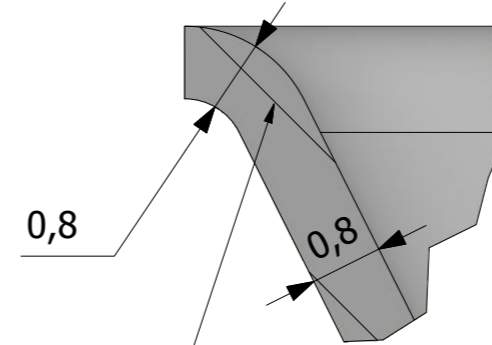
Bread Form before adding the upper part
Material thickness 8 mm



DETAIL X



DETAIL Y



in the perpendicular direction
the sweep shows the displacement error

in this direction the sweep shows no errors

Bread Form After adding the upper part
Material thickness 8 mm

Bread Form			
DESIGNED BY: MTr			SCALE:
CONTROLLED BY:			
Only the CAD file reflects the correct scale			
	WEIGHT:	DATE:	PAPER SIZE: A2
	MATERIAL:	CUSTOMER:	SHEET: 1
TOLERANCES UNLESS OTHERWISE SPECIFIED: GENERAL: ±1mm ANGULAR: ± 1/2°		N° PLAN: UNLESS OTHERWISE APECFIED DIMENSIONS ARE MM.	
			PROJECTION: