

4

3

2

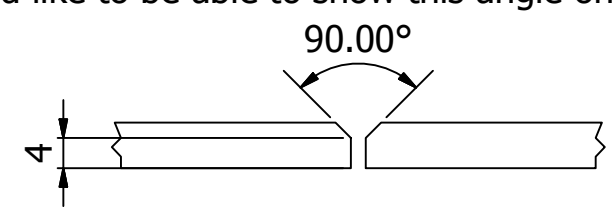
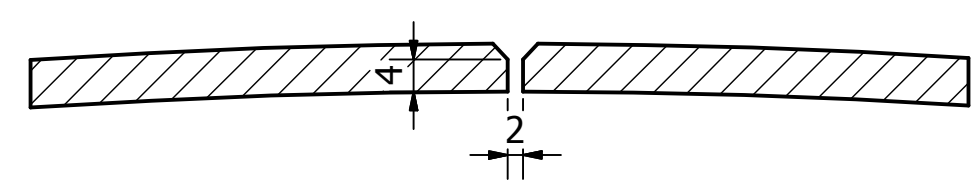
1

D

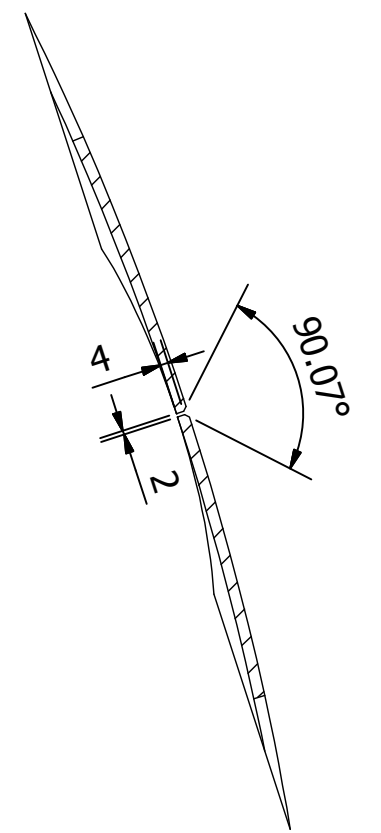
D

i can't dimension the angle here or select the chamfer to show it's detail

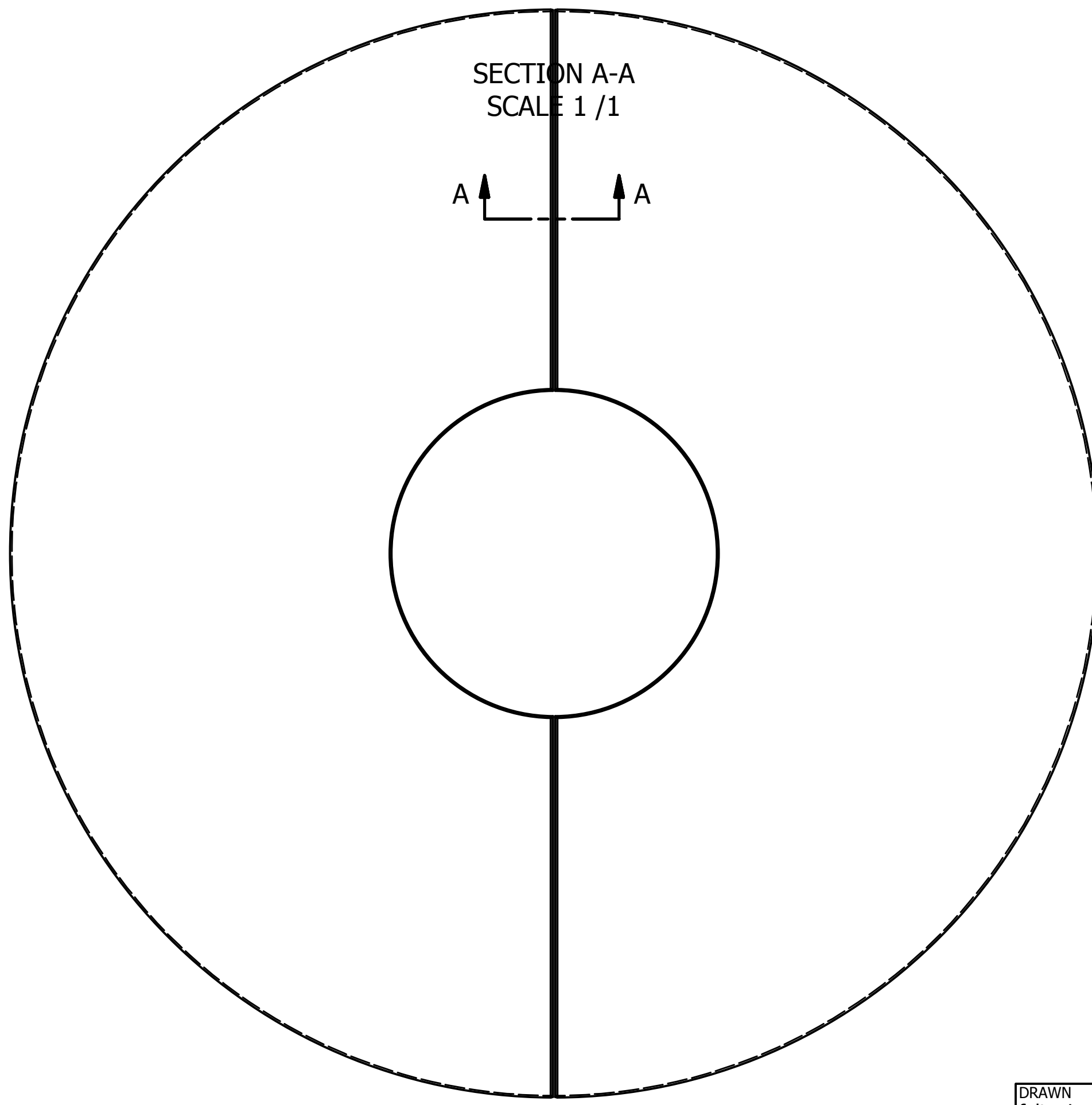
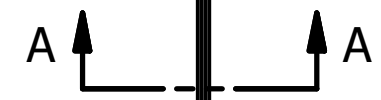
I would like to be able to show this angle on my section



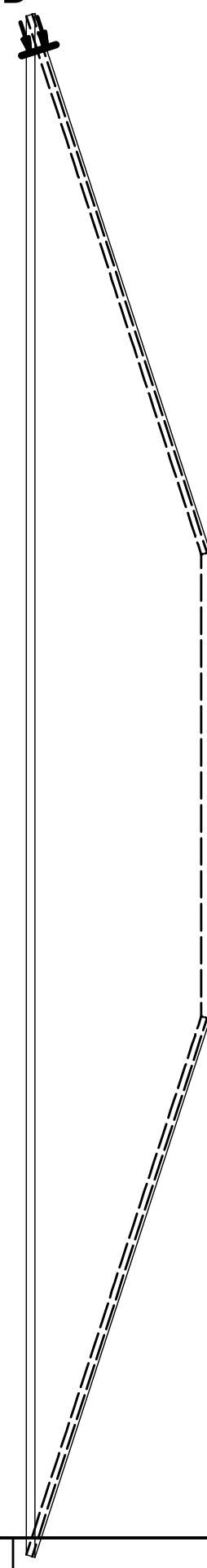
B-B (1 / 4)



SECTION A-A
SCALE 1 / 1



BB



C

C

B

B

A

A

DRAWN fultonjo	22/11/2013	TITLE		
CHECKED		TITLE		
QA		TITLE		
MFG		TITLE		
APPROVED		TITLE		
		SIZE C	DWG NO Cone	REV
		SCALE	SHEET 1 OF 1	