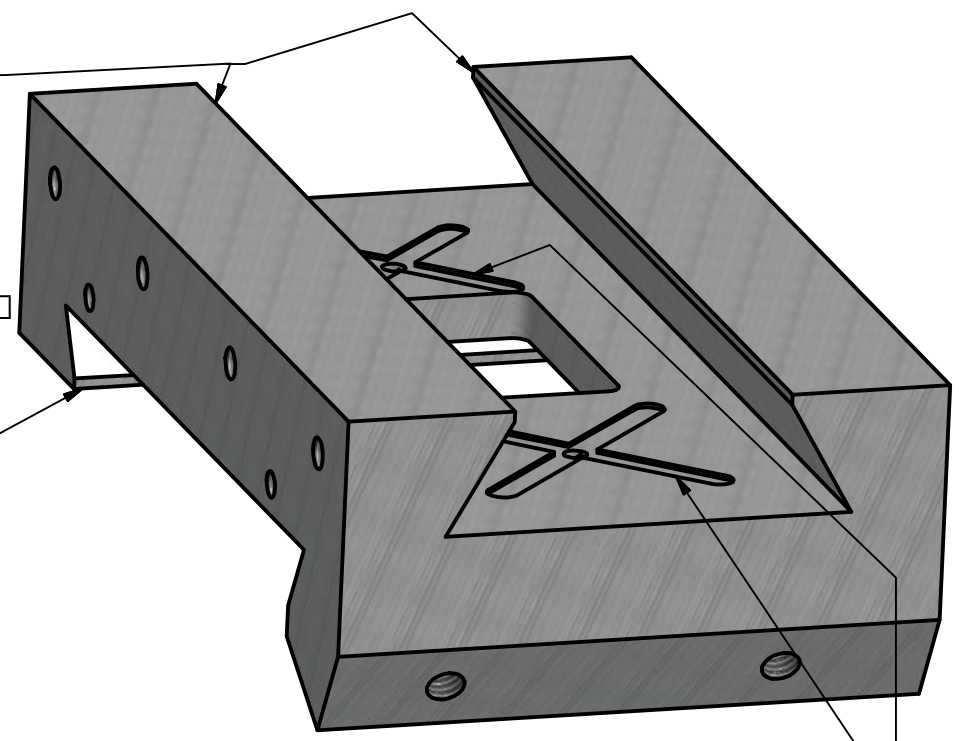



REVISION:	DESCRIPTION:	DATE:
(A)	DIMENSIONS ADJUSTED	9-9-13
(B)	CHAMFERED DOVETAIL EDGES	9-9-13
(C)	ADD D DIM	9-1-13
(D)	AD A D A A	11-1-13



TOLERANCES EXCEPT AS NOTED FRACTIONS ± 1/64 DECIMALS ± 0.005 ANGLES ± 1/2°		
MATERIAL		
DWG. NO.		1300 WEST HENRY STREET SEDALIA, MO 65301
TITLE DOVETAIL BASE		DRAWN Wm. Woehlke
		DATE 4/4/2013
SHEET 1 of 1		DATE DATE
		SCALE