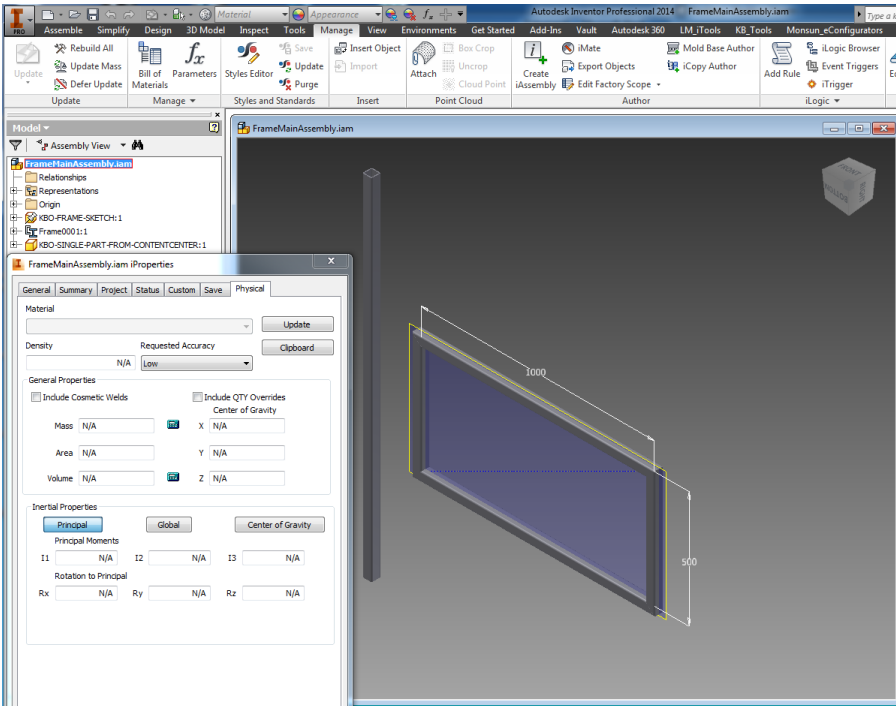
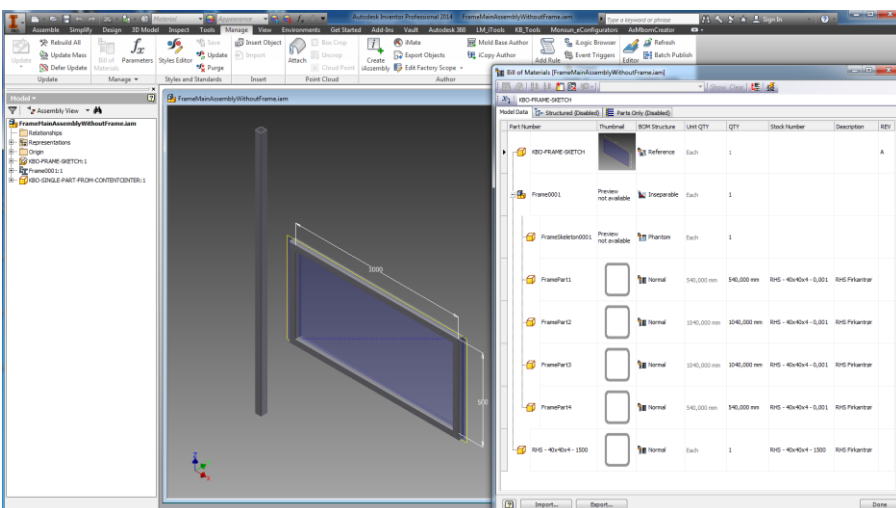


Framegenerator Error. Useless - powerfull framegenerator tool.

When the framegenerator is used, the assembly where the frame is generatet in, is not able to calculate the weight of the assembly parts. Please fix this ASP. This is a dum bug that eliminates the possibility to transfere the weight of the assembly to our ERP system. All other assemblies can sum up the netto weight of a assembly but not when framegenerator parts are inside an assembly.



Besides this when framegenarator is used, inventor does not honer that i replaced the template inside the content center and changed the QTY to pcs. When a single contentcenter part is insertet it shows right in pcs but when framegenerator is used the QTY still shows the Lenght?



When does autodesk consider making this powerfull framegenerator tool usable, as it is now its useless...

Regards Kent bøttger.