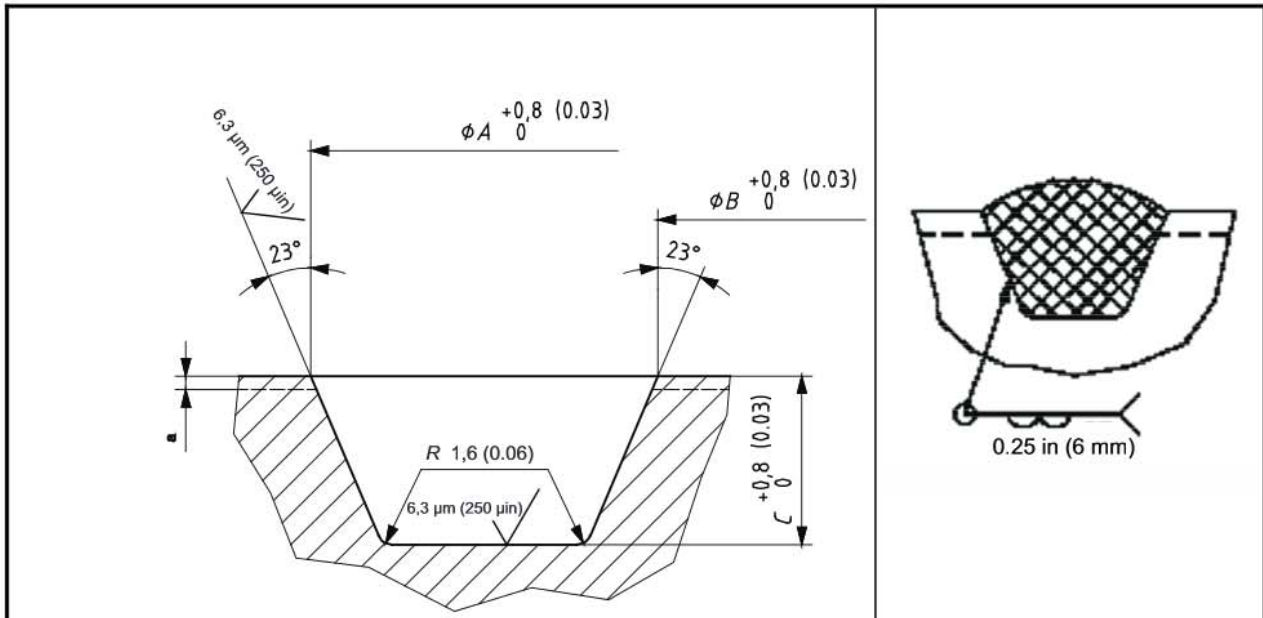


**Table 10 — Rough machining detail for corrosion-resistant API ring groove**

Dimensions in millimetres (inches) unless otherwise indicated



<sup>a</sup> 3,3 (0,13) allowed for finish machining.

| Ring number | Outside diameter of groove |          | Inside diameter of groove |          | Depth of groove |         | Ring number | Outside diameter of groove |          | Inside diameter of groove |          | Depth of groove |         |
|-------------|----------------------------|----------|---------------------------|----------|-----------------|---------|-------------|----------------------------|----------|---------------------------|----------|-----------------|---------|
|             | A                          |          | B                         |          | C               |         |             | A                          |          | B                         |          | C               |         |
|             | mm                         | (in)     | mm                        | (in)     | mm              | (in)    |             | mm                         | (in)     | mm                        | (in)     | mm              | (in)    |
| BX-149      | 53,34                      | (2,100)  | 28,96                     | (1,140)  | 8,89            | (0,350) | BX-159      | 443,64                     | (17,466) | 358,75                    | (14,124) | 22,73           | (0,895) |
| BX-150      | 84,48                      | (3,326)  | 41,76                     | (1,644)  | 12,32           | (0,485) | BX-160      | 419,00                     | (16,496) | 359,00                    | (14,134) | 20,96           | (0,825) |
| BX-151      | 88,80                      | (3,496)  | 45,06                     | (1,774)  | 12,32           | (0,485) | BX-162      | 489,36                     | (19,266) | 433,43                    | (17,064) | 15,11           | (0,595) |
| BX-152      | 97,18                      | (3,826)  | 51,92                     | (2,044)  | 12,83           | (0,505) | BX-163      | 574,45                     | (22,616) | 503,28                    | (19,814) | 25,02           | (0,985) |
| BX-153      | 113,94                     | (4,486)  | 66,14                     | (2,604)  | 13,59           | (0,535) | BX-164      | 588,92                     | (23,186) | 503,02                    | (19,804) | 25,02           | (0,985) |
| BX-154      | 129,95                     | (5,116)  | 79,10                     | (3,114)  | 14,35           | (0,565) | BX-165      | 643,53                     | (25,336) | 568,81                    | (22,394) | 25,78           | (1,015) |
| BX-155      | 161,70                     | (6,366)  | 106,27                    | (4,184)  | 15,11           | (0,595) | BX-166      | 659,03                     | (25,946) | 596,06                    | (22,404) | 25,78           | (1,015) |
| BX-156      | 252,88                     | (9,956)  | 185,78                    | (7,314)  | 17,91           | (0,705) | BX-167      | 779,42                     | (30,686) | 713,33                    | (28,084) | 25,78           | (1,105) |
| BX-157      | 310,03                     | (12,206) | 236,83                    | (9,324)  | 19,43           | (0,765) | BX-168      | 785,27                     | (30,916) | 713,59                    | (28,094) | 25,78           | (1,105) |
| BX-158      | 368,20                     | (14,496) | 289,92                    | (11,414) | 20,96           | (0,825) | BX-169      | 187,86                     | (7,396)  | 133,96                    | (5,274)  | 16,38           | (0,645) |