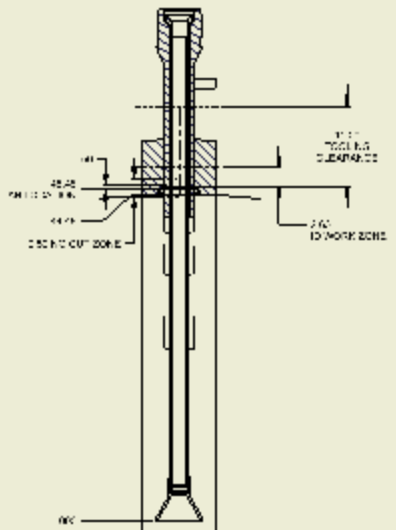


**NOTES:**

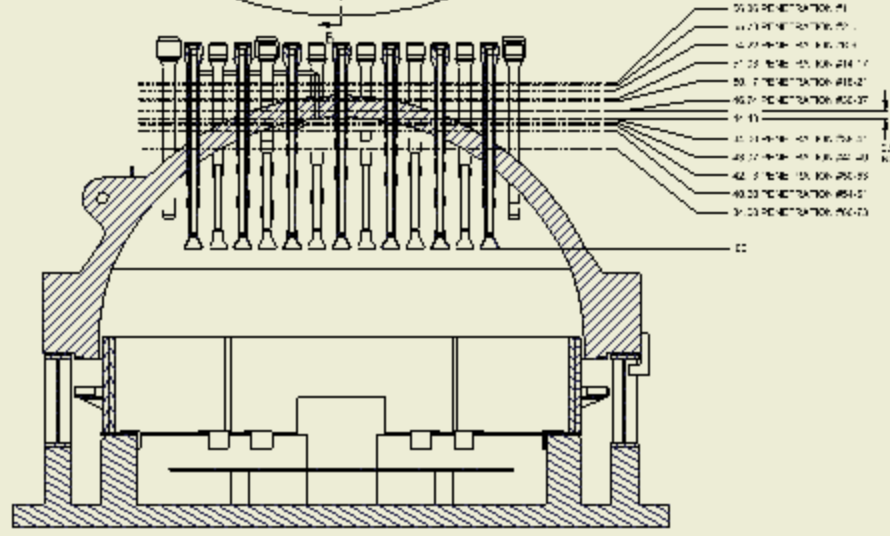
1. TYPICAL STAGE LENGTH IS 450 FT. STAGE LENGTH MAY VARY.
2. STAGE LENGTHS MAY VARY FROM 100 FT TO 450 FT.
3. STAGE LENGTHS MAY VARY FROM 100 FT TO 450 FT. STAGE LENGTHS MAY VARY FROM 100 FT TO 450 FT. STAGE LENGTHS MAY VARY FROM 100 FT TO 450 FT.
4. STAGE LENGTHS MAY VARY FROM 100 FT TO 450 FT. STAGE LENGTHS MAY VARY FROM 100 FT TO 450 FT. STAGE LENGTHS MAY VARY FROM 100 FT TO 450 FT.

STAGE NO.	STAGE LENGTH (FT)	STAGE VOLUME (BBLS)
1	450	1000
2	450	1000
3	450	1000
4	450	1000
5	450	1000
6	450	1000
7	450	1000
8	450	1000
9	450	1000
10	450	1000
11	450	1000
12	450	1000
13	450	1000
14	450	1000
15	450	1000
16	450	1000
17	450	1000
18	450	1000
19	450	1000
20	450	1000
21	450	1000
22	450	1000
23	450	1000
24	450	1000
25	450	1000
26	450	1000
27	450	1000
28	450	1000
29	450	1000
30	450	1000



SECTION O-O  
10 WORK ZONE/TUBING CLEARANCE

STAGE NO.	STAGE LENGTH (FT)	STAGE VOLUME (BBLS)
1	450	1000
2	450	1000
3	450	1000
4	450	1000
5	450	1000
6	450	1000
7	450	1000
8	450	1000
9	450	1000
10	450	1000
11	450	1000
12	450	1000
13	450	1000
14	450	1000
15	450	1000
16	450	1000
17	450	1000
18	450	1000
19	450	1000
20	450	1000
21	450	1000
22	450	1000
23	450	1000
24	450	1000
25	450	1000
26	450	1000
27	450	1000
28	450	1000
29	450	1000
30	450	1000



SECTION A-A

STAGE NO.	STAGE LENGTH (FT)	STAGE VOLUME (BBLS)
1	450	1000
2	450	1000
3	450	1000
4	450	1000
5	450	1000
6	450	1000
7	450	1000
8	450	1000
9	450	1000
10	450	1000
11	450	1000
12	450	1000
13	450	1000
14	450	1000
15	450	1000
16	450	1000
17	450	1000
18	450	1000
19	450	1000
20	450	1000
21	450	1000
22	450	1000
23	450	1000
24	450	1000
25	450	1000
26	450	1000
27	450	1000
28	450	1000
29	450	1000
30	450	1000

STAGE NO.	STAGE LENGTH (FT)	STAGE VOLUME (BBLS)
1	450	1000
2	450	1000
3	450	1000
4	450	1000
5	450	1000
6	450	1000
7	450	1000
8	450	1000
9	450	1000
10	450	1000
11	450	1000
12	450	1000
13	450	1000
14	450	1000
15	450	1000
16	450	1000
17	450	1000
18	450	1000
19	450	1000
20	450	1000
21	450	1000
22	450	1000
23	450	1000
24	450	1000
25	450	1000
26	450	1000
27	450	1000
28	450	1000
29	450	1000
30	450	1000

GENERAL NOTE

WEC  
WELLBORE EVALUATION CENTER  
10000 W. 100th St.  
Houston, TX 77036  
713.865.1000  
www.wec.com

WEC  
WELLBORE EVALUATION CENTER  
10000 W. 100th St.  
Houston, TX 77036  
713.865.1000  
www.wec.com

DATE: 10/10/2011  
TIME: 10:00 AM  
PROJECT: 10000 W. 100th St.  
WELL: 10000 W. 100th St.  
STAGE: 10000 W. 100th St.

REV: 001  
DATE: 10/10/2011  
TIME: 10:00 AM