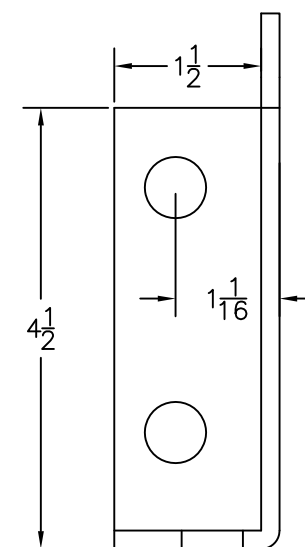
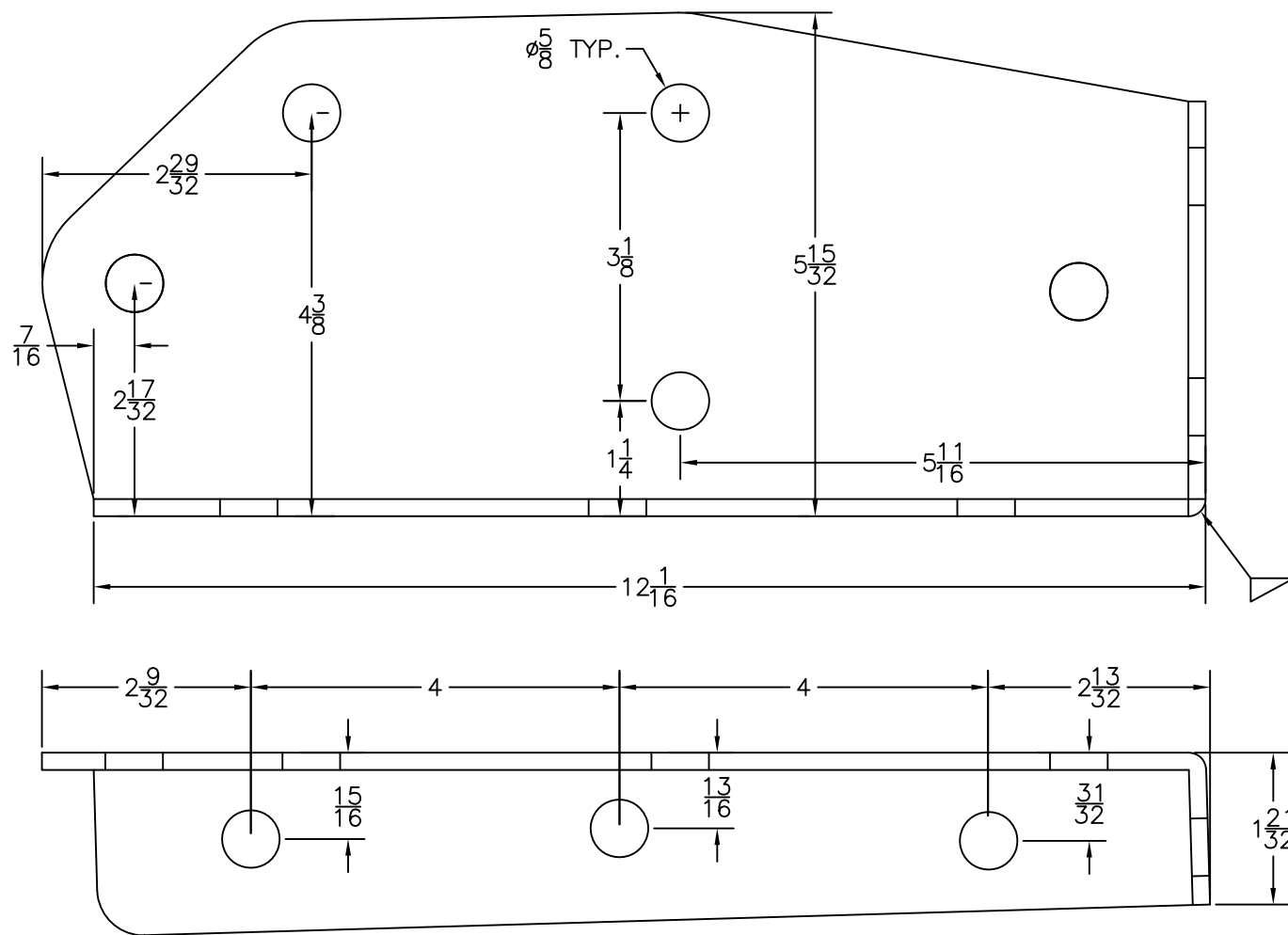


PART #: 31010038

MAT'L: OUTSOURCED 3/16"

REQ'D: 1

TOTAL:



MATERIAL USED PER EACH ASSEMBLED PART	
PART #	QUANTITY
31010038	1 EA.

PROJECT:	
PART DESC: 50'HP & 60'HP, Left Hand Base Plate	
SERIES: Advantage	ASI #:
DRAWN: JB	DATE: 02/10/2011
FILE:	

F:\Product\Right-COVID Part Log\Rec021011.dwg