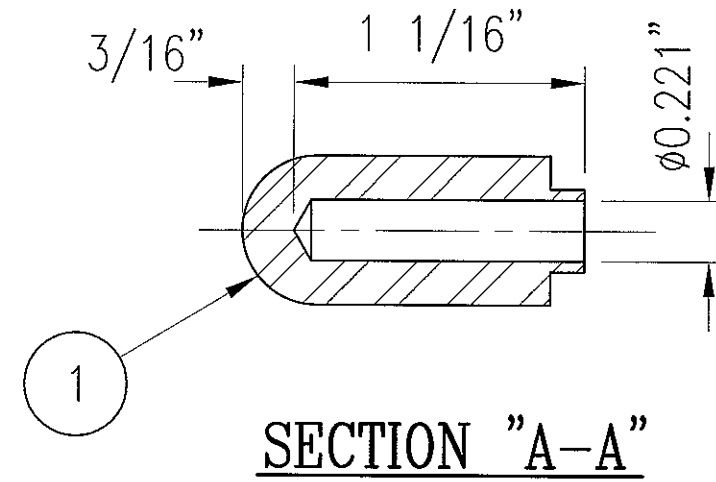
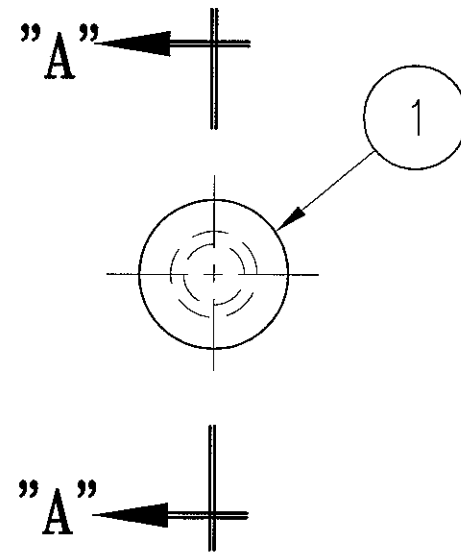


BILL OF MATERIAL FOR 201285

ITM	QTY	DESCRIPTION	ITEM NO
1	1	TIP, 1/4" CK-20 CAS-1420	101441



BILL OF MATERIAL FOR 50103438-001

ITEM	QTY	DESCRIPTION	LENGTH	NOTES	ITEM NO	SAP
1	1	PIPE 1/4" S80 SMLS SA312304SS	1'-0 5/16"	TOE, BORE OTHER	101110	1
2	1	TIP GAS 1/4" CK20 STD1420		DRILL: SEE GA DWG BOM NOTES	201285-C	2

