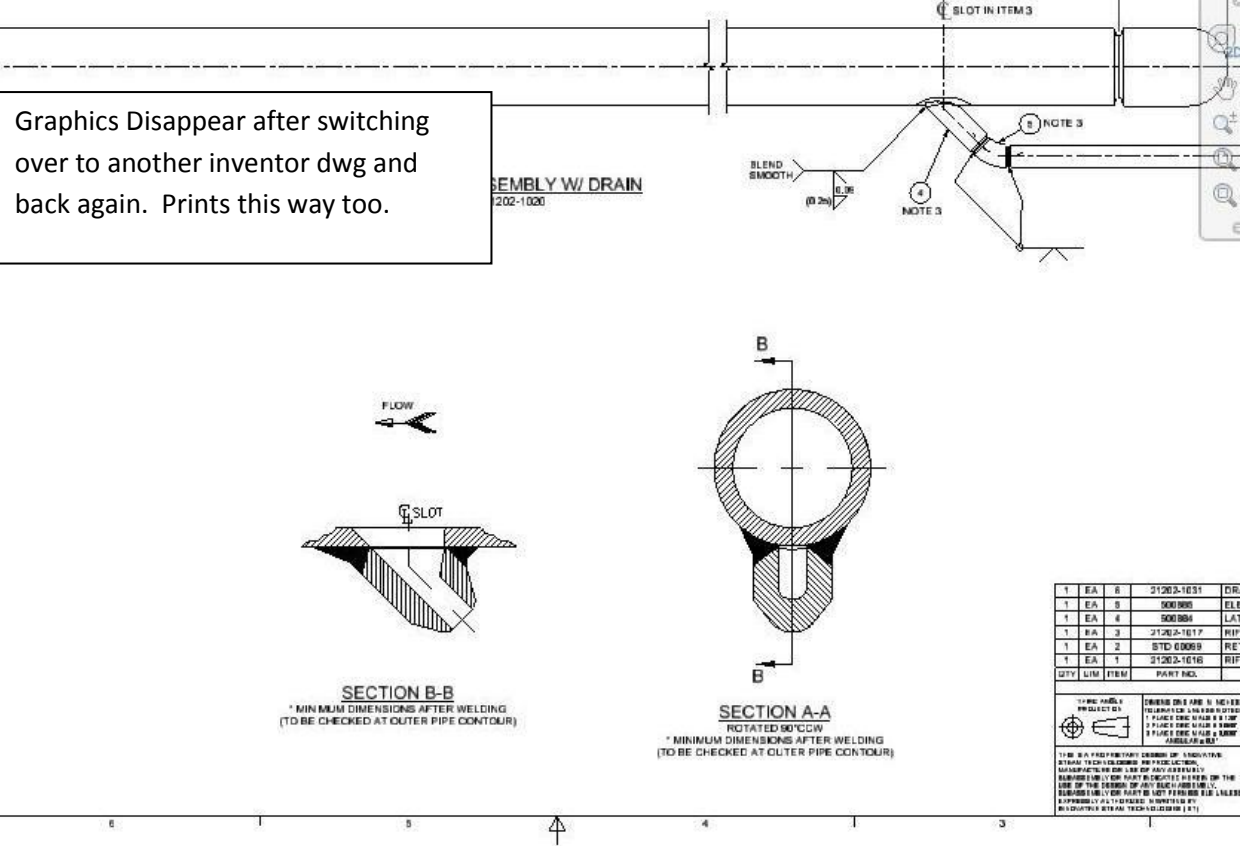


Import AutoCAD block into inventor  
dwg.  
As inserted & saved & when opened  
Prints fine



Graphics Disappear after switching  
over to another inventor dwg and  
back again. Prints this way too.