

4

3

2

1

D

D

C

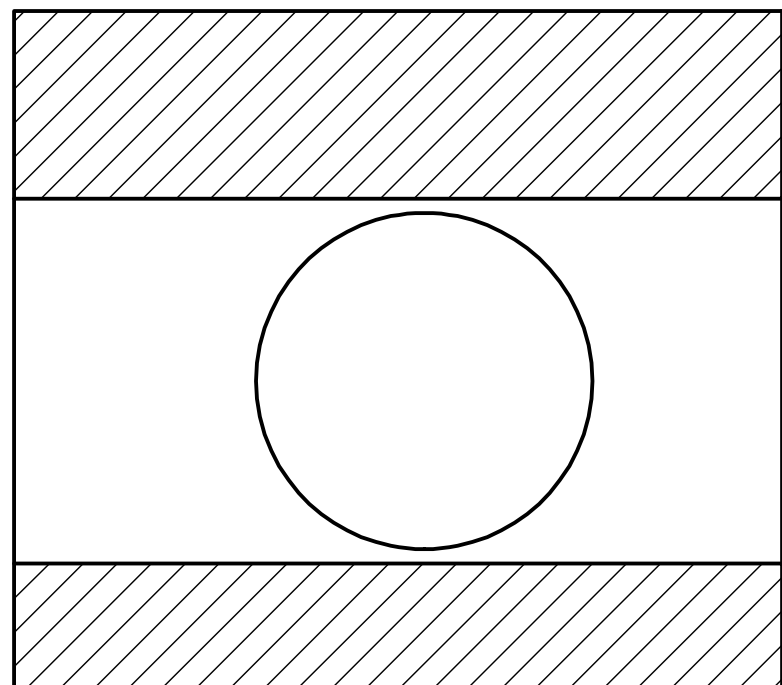
C

B

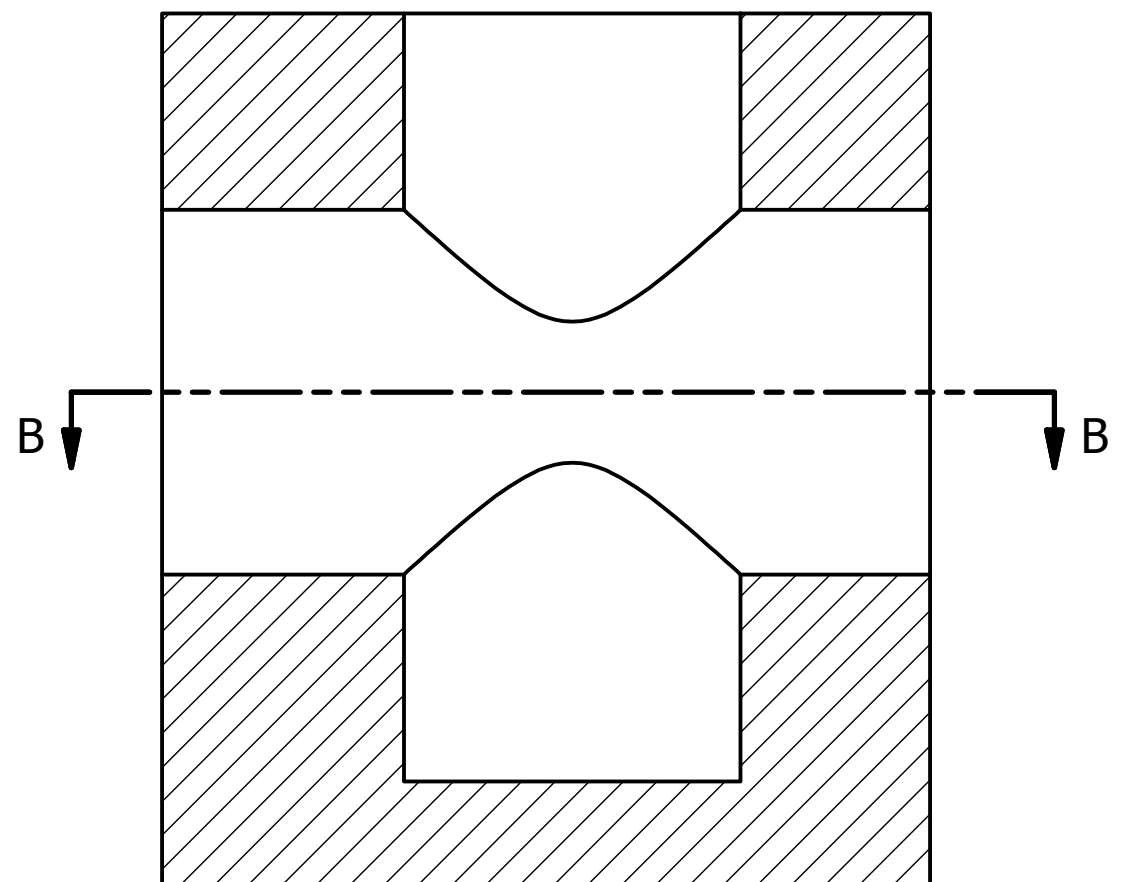
B

A

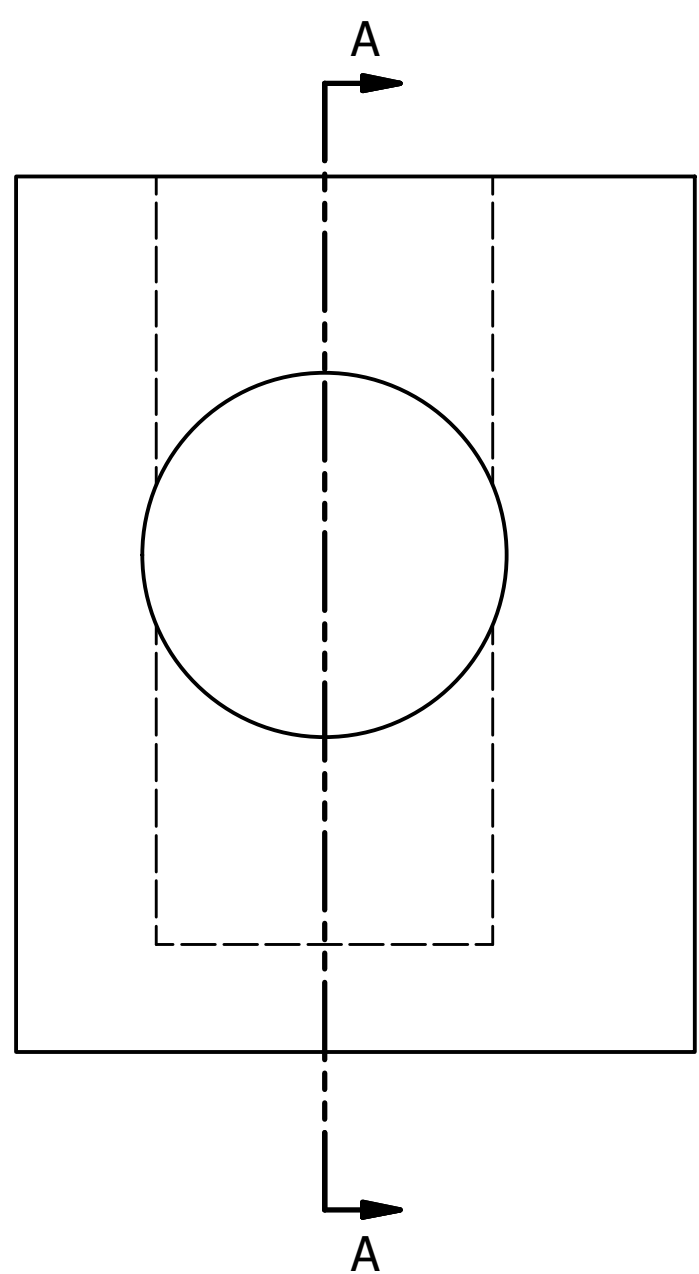
A



SECTION B-B  
SCALE 4:1



SECTION A-A  
SCALE 4:1



|                 |           |           |              |     |
|-----------------|-----------|-----------|--------------|-----|
| DRAWN<br>mlivsc | 4/12/2012 |           |              |     |
| CHECKED         |           | TITLE     |              |     |
| QA              |           |           |              |     |
| MFG             |           |           |              |     |
| APPROVED        |           |           |              |     |
|                 |           | SIZE<br>C | DWG NO       | REV |
|                 |           | SCALE     | SHEET 1 OF 1 |     |