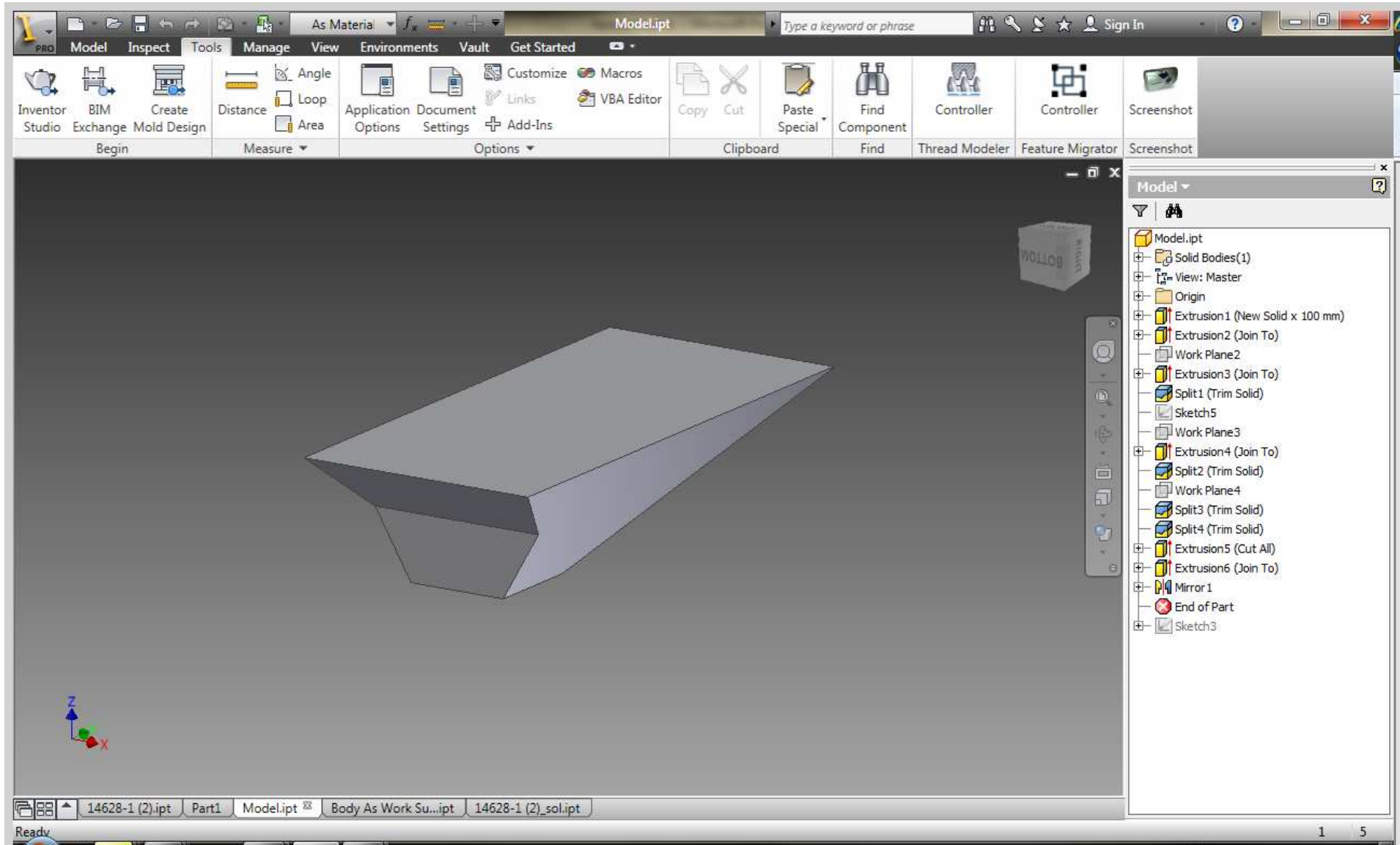
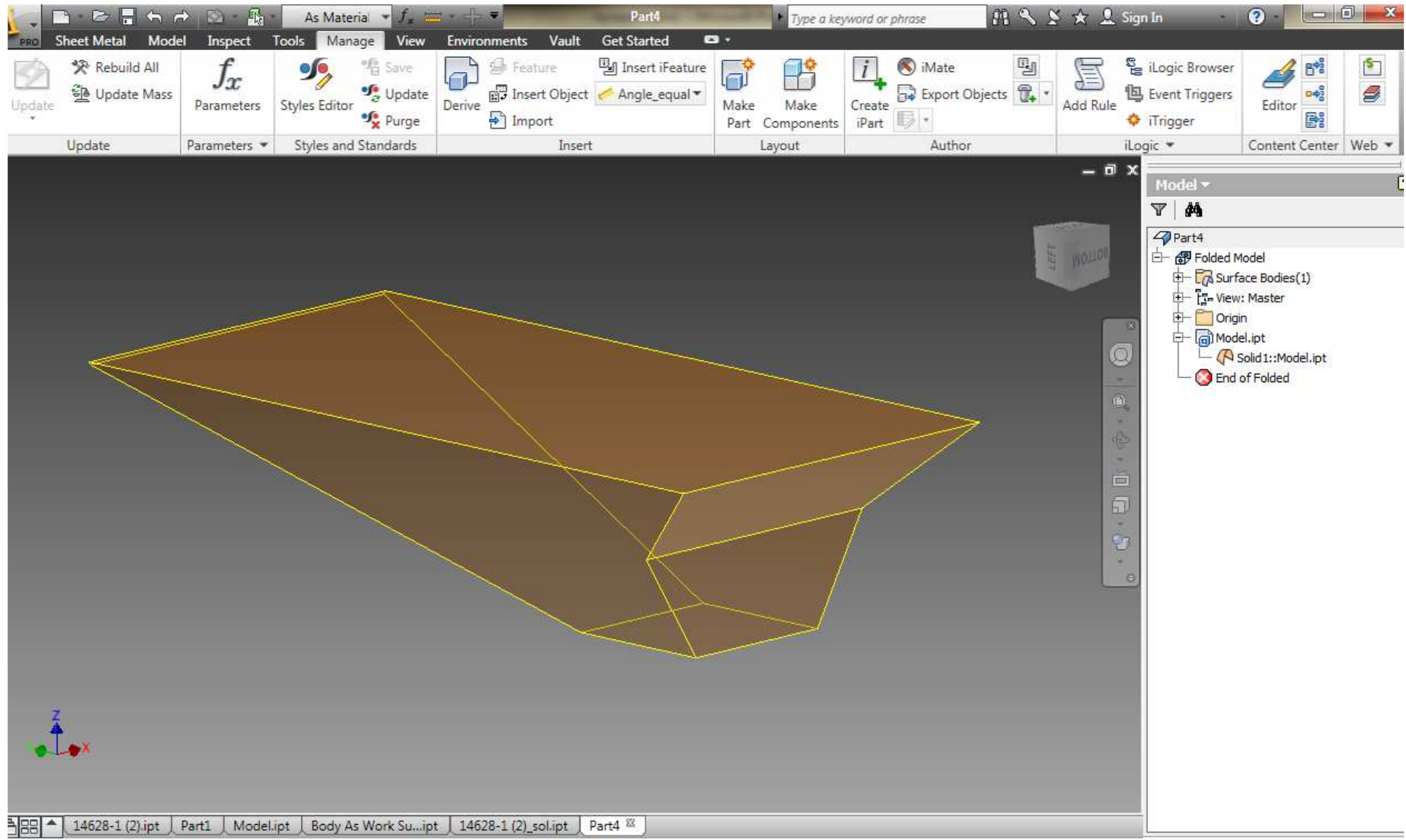


Model Manequim



Derive Body As Work Surface



Create Sheet Metal Part

