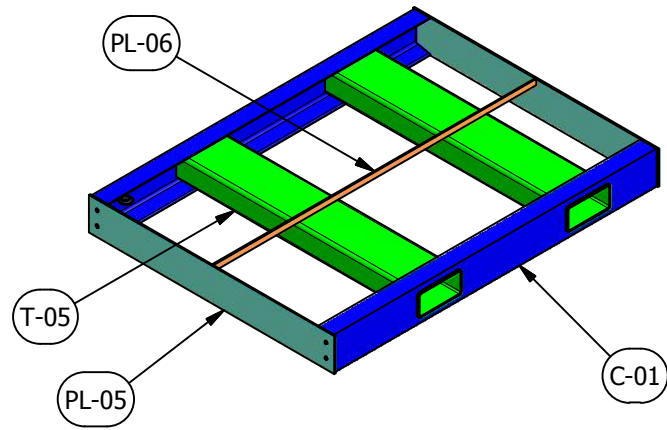
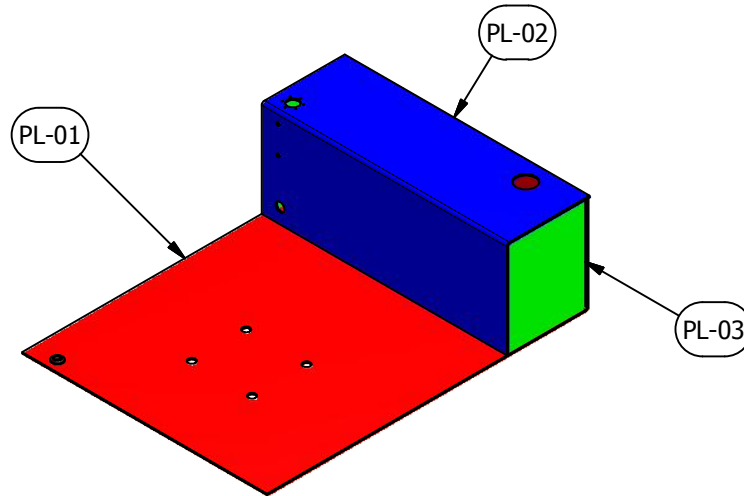


10 9 8 7 6 5 4 3 2 1

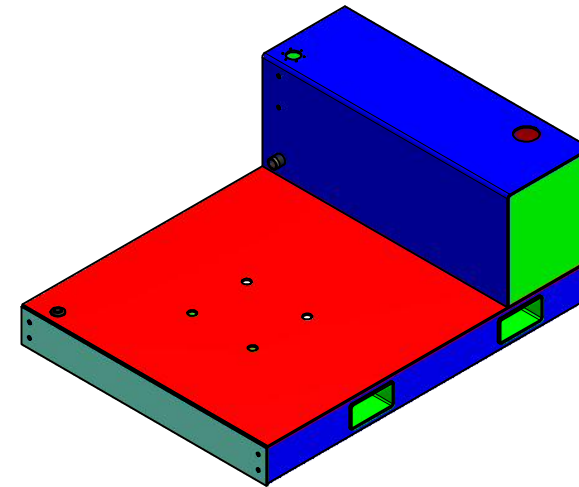
H G F E D C B A



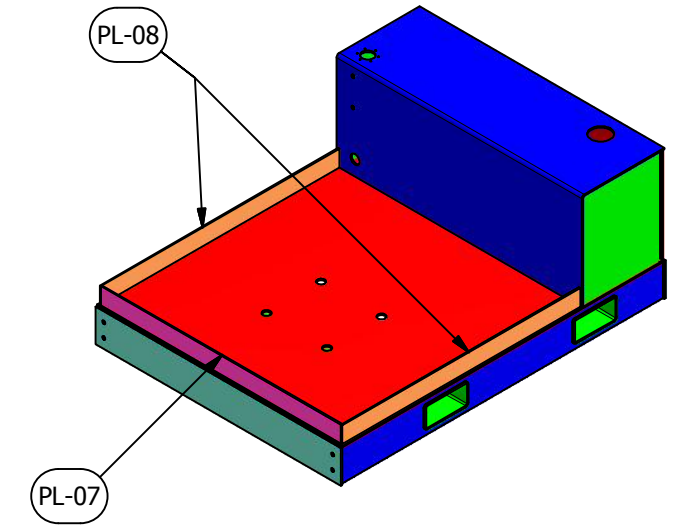
BASE FRAME
SCALE 1 / 25



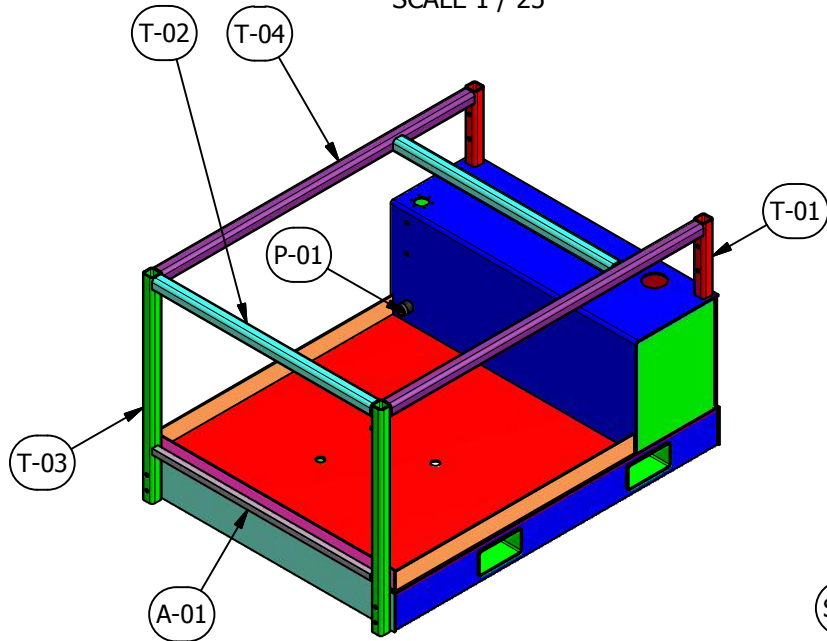
HYDRAULIC TANK
SCALE 1 / 25



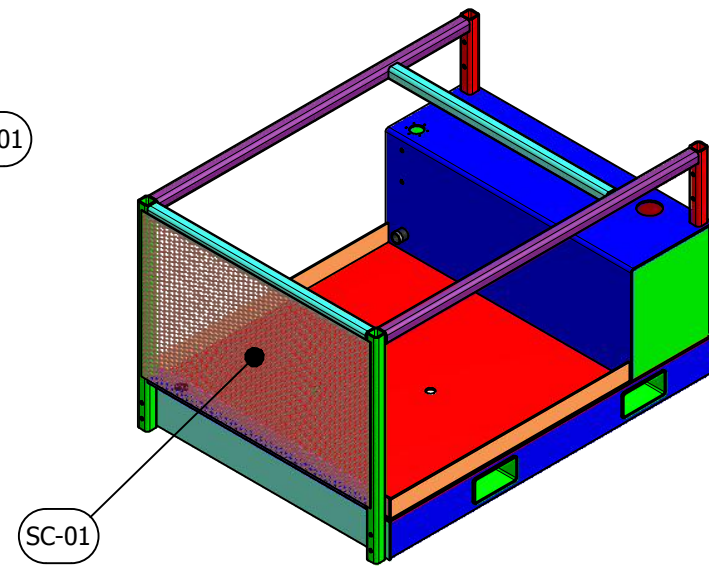
TANK MOUNTED
SCALE 1 / 25



LEAK RIM
SCALE 1 / 25



CAGE FRAME
SCALE 1 / 25



ENGINE SCREEN
SCALE 1 / 25

PRELIMINARY ONLY

10 9 8 7 6 5 4 3 2 1

H G F E D C B A