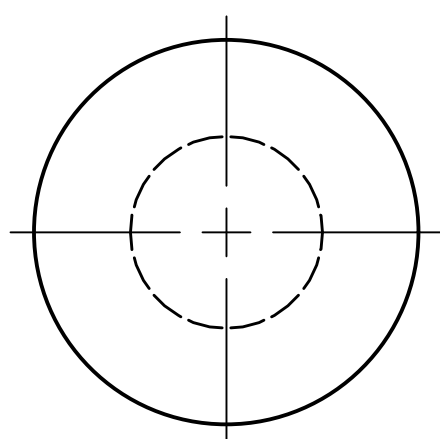


SECTION A-A
SCALE 1 : 1



DRAWN Grego	6/18/2009	TITLE		
CHECKED				
QA				
MFG				
APPROVED		SIZE C	DWG NO SAMPLE PART 1	REV
		SCALE	SHEET 1 OF 1	