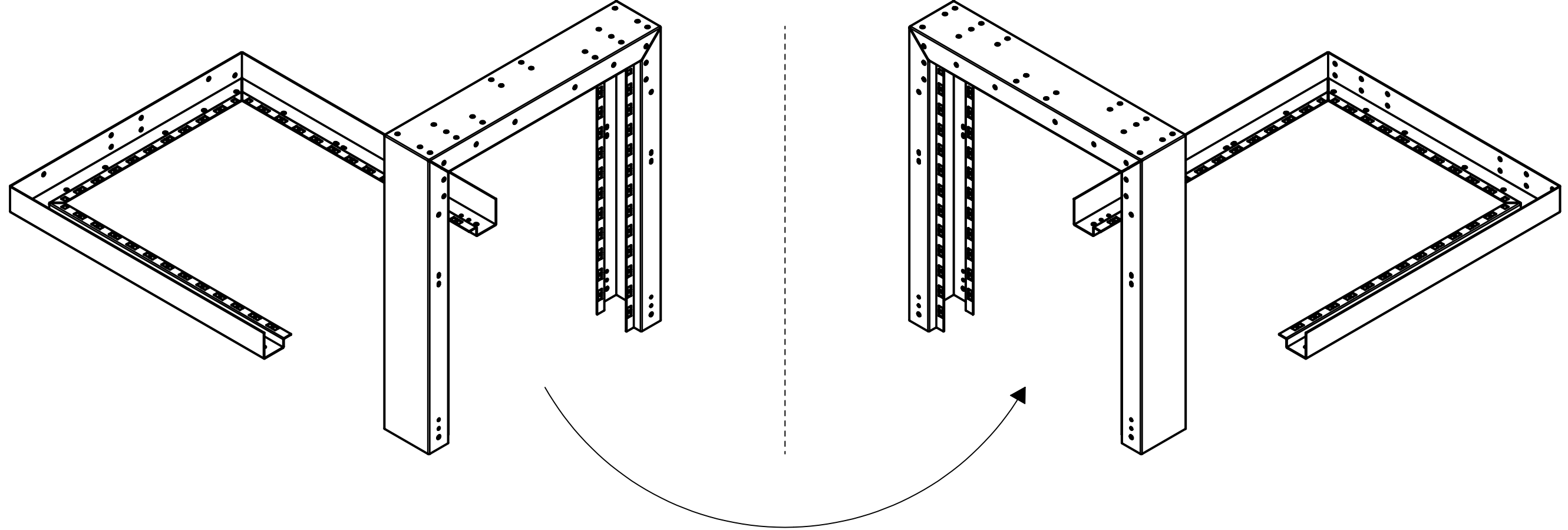



JOB:	CLIENT NAME:	DESIGNATOR:	QUANTITY:



GENERAL NOTES:

 3rd ANGLE PROJECTION
 NOT TO SCALE
 ALL DIMENSIONS EXTERNAL UNLESS NOTED OTHERWISE
 ALL DIMENSIONS ARE IN INCHES IF IN DOUBT, ASK
 REMOVE ALL SHARP EDGES

TOLERANCES: UNLESS NOTED

METAL	WOOD
X = ± 0.10"	X = ± 1/32"
X.X = ± 0.05"	HOLES = ± 0.005"
X.XX = ± 0.010"	ANGLE = ± 0.5°

DRAWN BY: TMH
 DATE: 5/14/2007

CLIENT: TITLE:
 JOB NO. DETAIL:

PART No. REVISION No.: