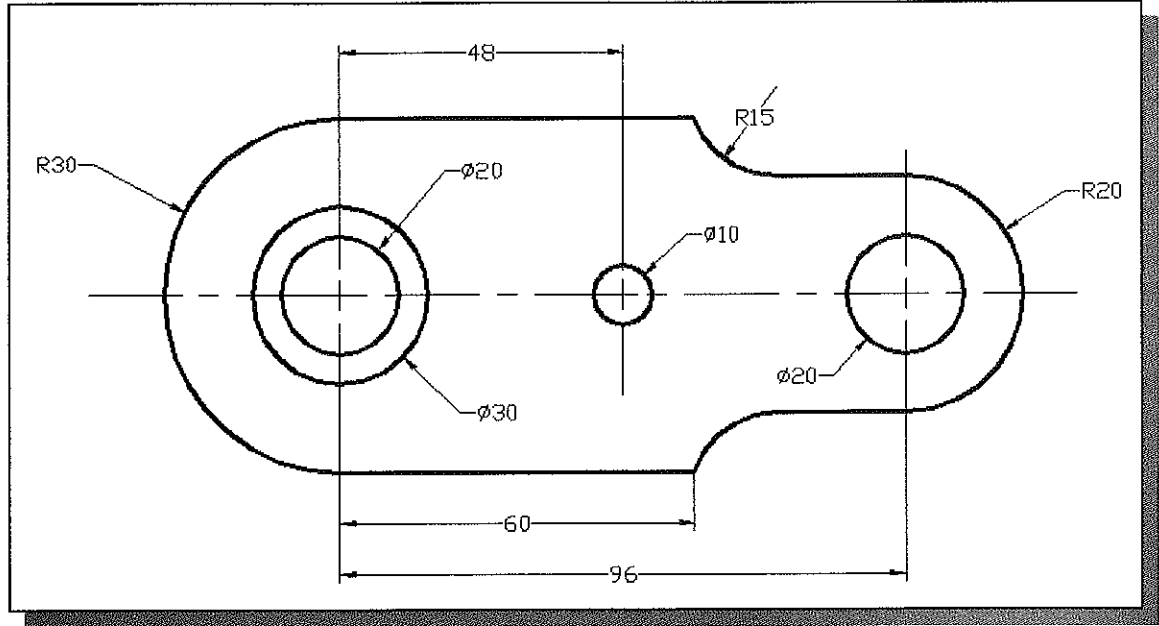


3. Swivel Base (Dimensions are in Millimeters.)



4. Sensor Mount

