

BASE PLAN SECTION
 SCALE: 1/2" = 1'-0"
 ARCH. REF.:

CONSTRUCTION SPECIFICATIONS

CASEWORK
 CARCASS: 3/4" PLYWOOD CONSTRUCTION
 EXTERIOR: PAINT GRADE
 INTERIOR: MAPLE

DOORS
 1" THK., CRP-10161, SLANT, SQUARE, MACHINED EDGE
 2-5/16" STILE AND RAILS.
 GLASS DOORS, 1" THK., CRP-10161, SQUARE, MACHINED
 EDGE, REGULAR BEAD MULLIONS. 2-5/16" STILE AND RAILS

DRAWERS
 1" THK., CRP-10161, P-057, SQUARE, MACHINED EDGE,
 2-5/16" STILES AND 1-1/2" RAILS.
 BOTTOM DRAWERS; 1" THK., CRP-10161, SLANT, SQUARE,
 MACHINED EDGE, 2-5/16" STILES AND RAILS.

C'TOPS
 SUPPLIED BY OTHERS

FINISHING
 PERIMETER CAB'TS DESIGNER WHITE W/PEWTER GLAZE
 ISLAND - GREY PER APPROVED SAMPLE

HARDWARE
 BLUM 563H SERIES FULL EXTENSION, SOFT CLOSING, 21"
 BUTT HINGES POLISH CHROME, BH2APC W/STEEPLE FINIAL
 SHELF RESTS
 HALF MOON TRAY HARDWARE
 WASTE BASKETS

MISCELLANEOUS
 -

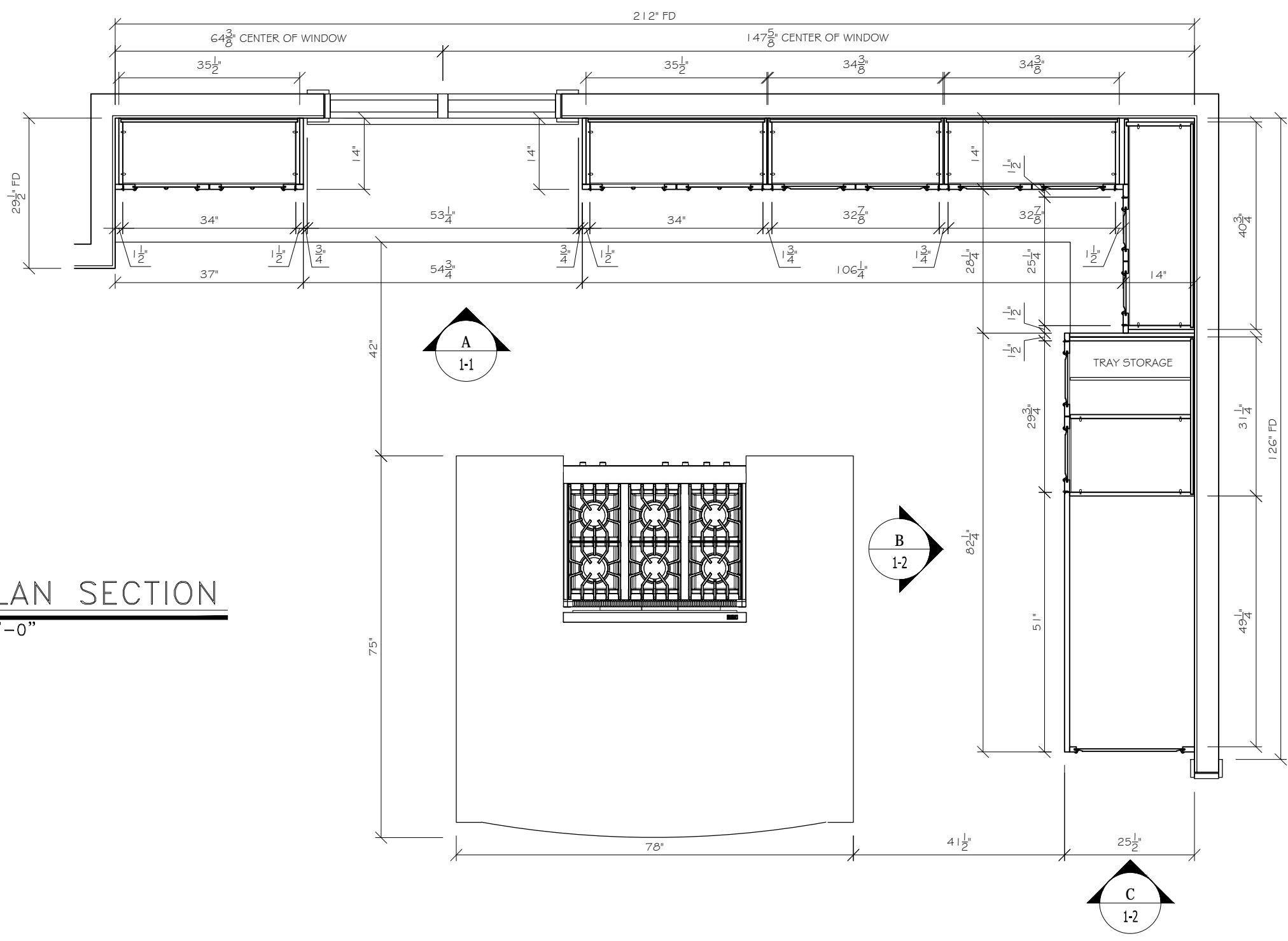
NOTES

REV.	DESCRIPTION	DATE

ALL STAR WOODWORKING
 SINCE 1978
 401 CLAREMONT AVE., THORNWOOD, NY 10594
 TEL (914) 769-9161/FAX (914) 747-4038

PROJECT LUCENO/MJC
 LOCATION -
 ARCHITECT -
 CONTRACTOR -

TITLE **KITCHEN BASE PLAN SECTION**
 By HWA Scale AS NOTED Job No. Dwg. No.
 Ref. Dwg. Date 10-14-14 KP
 - 10-14-14



UPPER PLAN SECTION

SCALE: 1/2" = 1'-0"
 ARCH. REF.:

CONSTRUCTION SPECIFICATIONS

CASEWORK
 CARCASS: 3/4" PLYWOOD CONSTRUCTION
 EXTERIOR: PAINT GRADE
 INTERIOR: MAPLE

DOORS
 1" THK., CRP-10161, SLANT, SQUARE, MACHINED EDGE
 2-5/16" STILE AND RAILS.
 GLASS DOORS, 1" THK., CRP-10161, SQUARE, MACHINED
 EDGE, REGULAR BEAD MULLIONS. 2-5/16" STILE AND RAILS

DRAWERS
 1" THK., CRP-10161, P-057, SQUARE, MACHINED EDGE,
 2-5/16" STILES AND 1-1/2" RAILS.
 BOTTOM DRAWERS; 1" THK., CRP-10161, SLANT, SQUARE,
 MACHINED EDGE, 2-5/16" STILES AND RAILS.

C'TOPS
 SUPPLIED BY OTHERS

FINISHING
 PERIMETER CAB'TS DESIGNER WHITE W/PEWTER GLAZE
 ISLAND - GREY PER APPROVED SAMPLE

HARDWARE
 BLUM 563H SERIES FULL EXTENSION, SOFT CLOSING, 21"
 BUTT HINGES POLISH CHROME, BH2APC W/STEEPLE FINIAL
 SHELF RESTS
 HALF MOON TRAY HARDWARE
 WASTE BASKETS

MISCELLANEOUS
 -

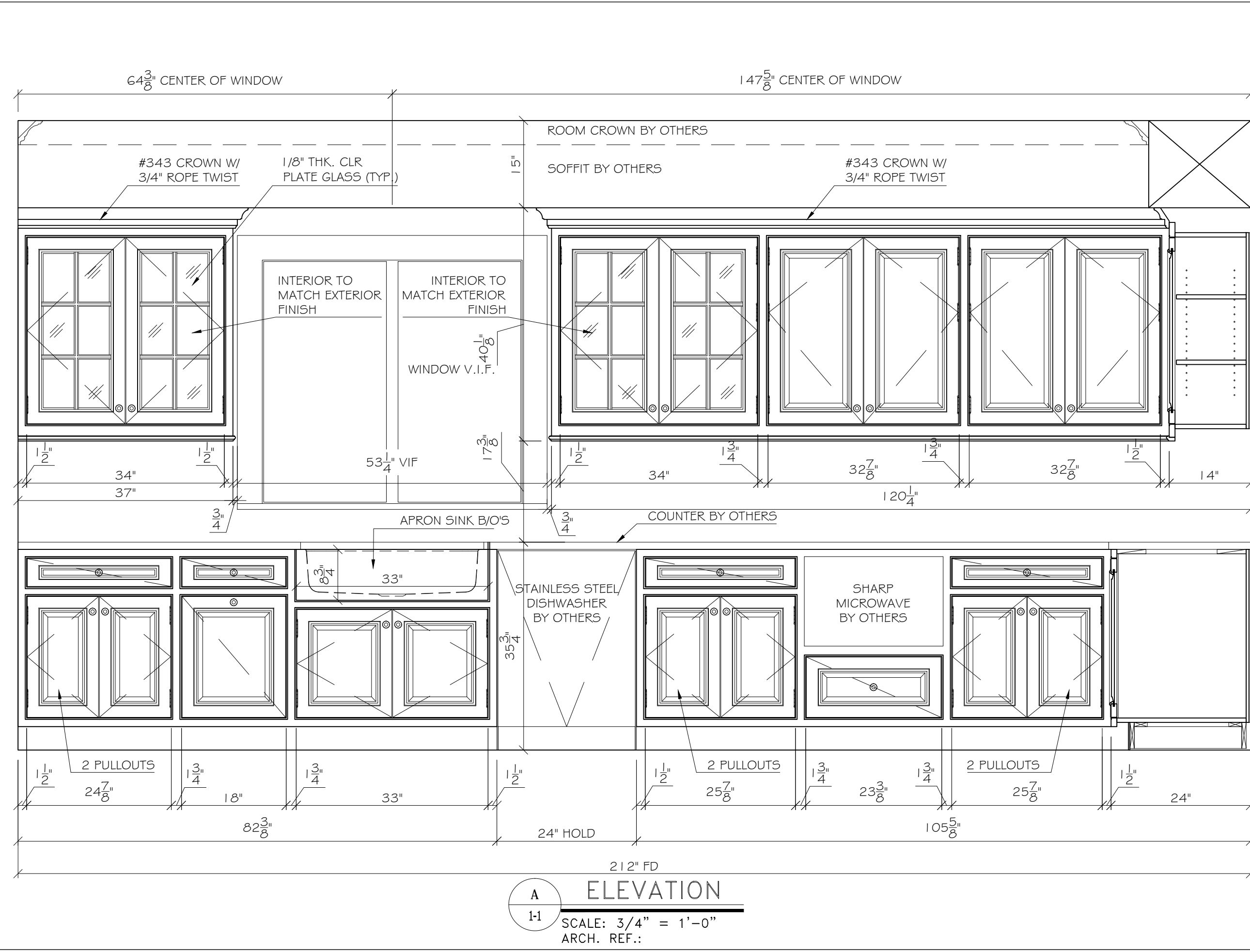
NOTES
 -

REV.	DESCRIPTION	DATE

ALL STAR WOODWORKING
 SINCE 1978
 401 CLAREMONT AVE., THORNWOOD, NY 10594
 TEL (914) 769-9161/FAX (914) 747-4038

PROJECT LUCENO/MJC
 LOCATION -
 ARCHITECT -
 CONTRACTOR -

TITLE KITCHEN
 UPPER PLAN SECTION
 By HWA Scale AS NOTED Job No. Dwg. No.
 Ref. Dwg. Date 10-14-14 KPU



CONSTRUCTION SPECIFICATIONS

CASEWORK
 CARCASS: 3/4" PLYWOOD CONSTRUCTION
 EXTERIOR: PAINT GRADE
 INTERIOR: MAPLE

DOORS
 1" THK., CRP-10161, SLANT, SQUARE, MACHINED EDGE
 2-5/16" STILE AND RAILS.
 GLASS DOORS, 1" THK., CRP-10161, SQUARE, MACHINED
 EDGE, REGULAR BEAD MULLIONS. 2-5/16" STILE AND RAILS

DRAWERS
 1" THK., CRP-10161, P-057, SQUARE, MACHINED EDGE,
 2-5/16" STILES AND 1-1/2" RAILS.
 BOTTOM DRAWERS: 1" THK., CRP-10161, SLANT, SQUARE,
 MACHINED EDGE, 2-5/16" STILES AND RAILS.

C'TOPS
 SUPPLIED BY OTHERS

FINISHING
 PERIMETER CAB'TS DESIGNER WHITE W/PEWTER GLAZE
 ISLAND - GREY PER APPROVED SAMPLE

HARDWARE
 BLUM 563H SERIES FULL EXTENSION, SOFT CLOSING, 21"
 BUTT HINGES POLISH CHROME, BH2APC W/STEEPLE FINIAL
 SHELF RESTS
 HALF MOON TRAY HARDWARE
 WASTE BASKETS

MISCELLANEOUS
 -

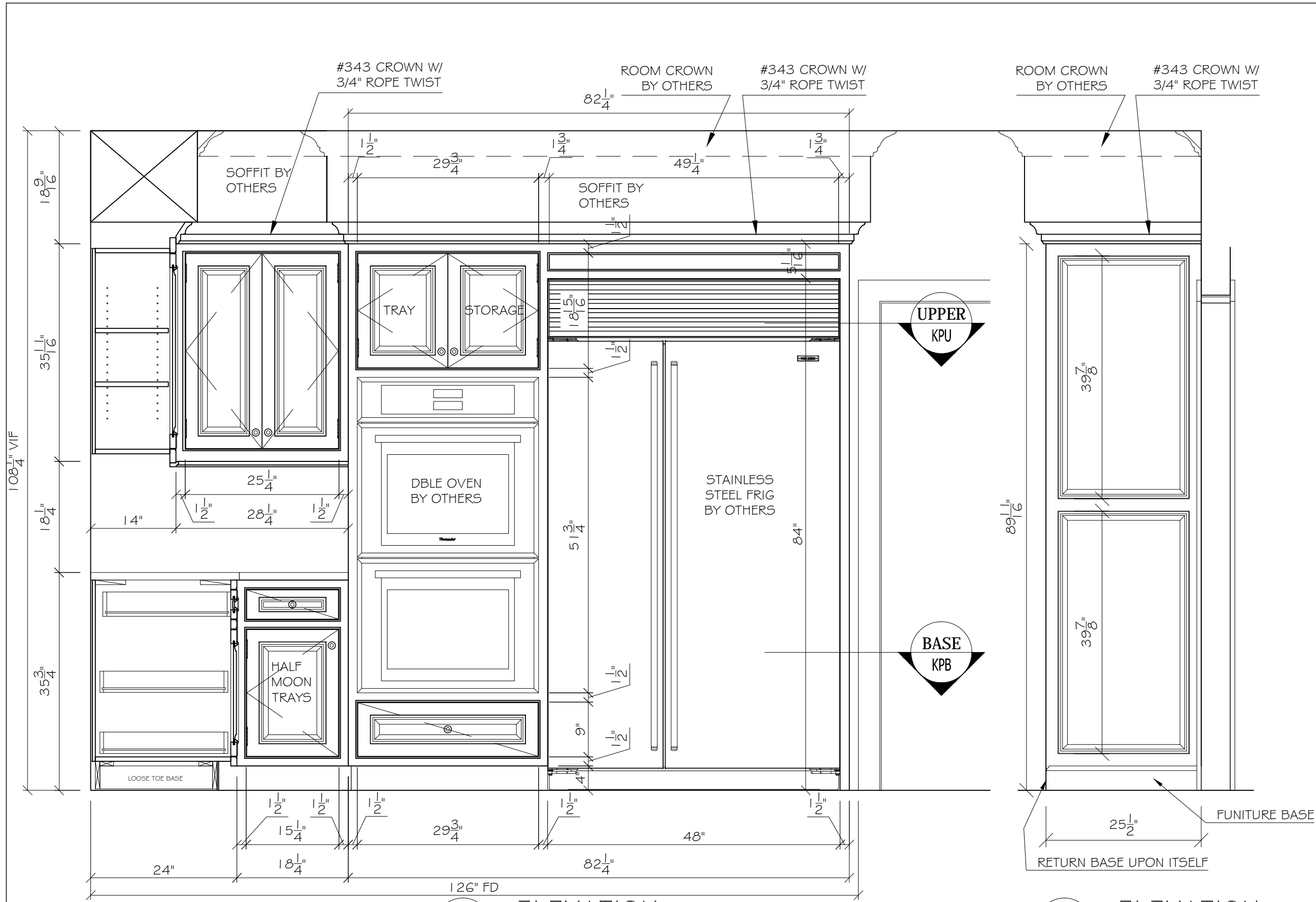
NOTES

REV.	DESCRIPTION	DATE



PROJECT	LUCENO/MJC		
LOCATION	-		
ARCHITECT	-		
CONTRACTOR	-		
TITLE	KITCHEN ELEVATION		
By HWA	Scale AS NOTED	Job No.	Dwg. No.
Ref. Dwg.	Date 10-14-14		1-1

A
 1-1
ELEVATION
 SCALE: 3/4" = 1'-0"
 ARCH. REF.:



B
1-2
ELEVATION
SCALE: 3/4" = 1'-0"
ARCH. REF.:

C
1-2
ELEVATION
SCALE: 3/4" = 1'-0"
ARCH. REF.:

CONSTRUCTION SPECIFICATIONS

CASEWORK
CARCASS: 3/4" PLYWOOD CONSTRUCTION

EXTERIOR: PAINT GRADE

INTERIOR: MAPLE

DOORS
1" THK., CRP-10161, SLANT, SQUARE, MACHINED EDGE
2-5/16" STILE AND RAILS.

GLASS DOORS, 1" THK., CRP-10161, SQUARE, MACHINED
EDGE, REGULAR BEAD MULLIONS. 2-5/16" STILE AND RAILS

DRAWERS
1" THK., CRP-10161, P-057, SQUARE, MACHINED EDGE,
2-5/16" STILES AND 1-1/2" RAILS.

BOTTOM DRAWERS: 1" THK., CRP-10161, SLANT, SQUARE,
MACHINED EDGE, 2-5/16" STILES AND RAILS.

C'TOPS
SUPPLIED BY OTHERS

FINISHING
PERIMETER CAB'TS DESIGNER WHITE W/PEWTER GLAZE

ISLAND - GREY PER APPROVED SAMPLE

HARDWARE
BLUM 563H SERIES FULL EXTENSION, SOFT CLOSING, 21"
BUTT HINGES POLISH CHROME, BH2APC W/STEEPLE FINIAL
SHELF RESTS
HALF MOON TRAY HARDWARE
WASTE BASKETS

MISCELLANEOUS
-

NOTES
-

REV.	DESCRIPTION	DATE

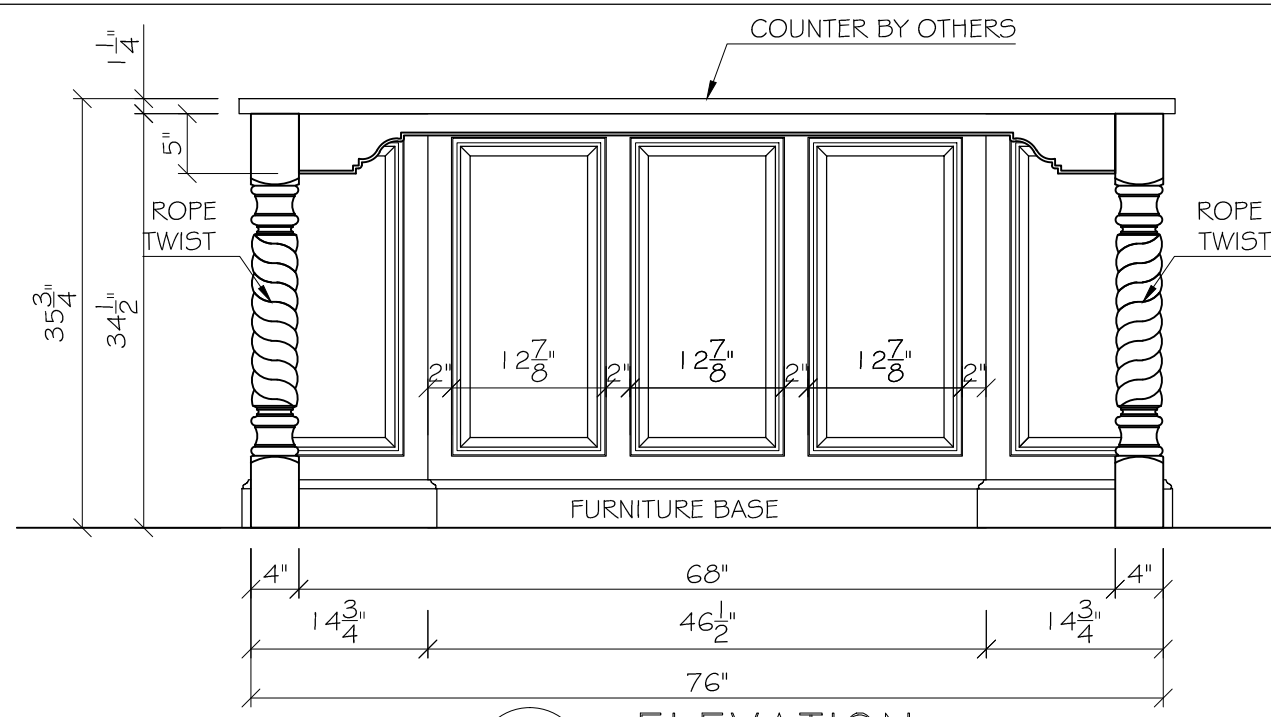
REV.	DESCRIPTION	DATE

ALL STAR WOODWORKING
SINCE 1978
401 CLAREMONT AVE., THORNWOOD, NY 10594
TEL (914) 769-9161/FAX (914) 747-4038

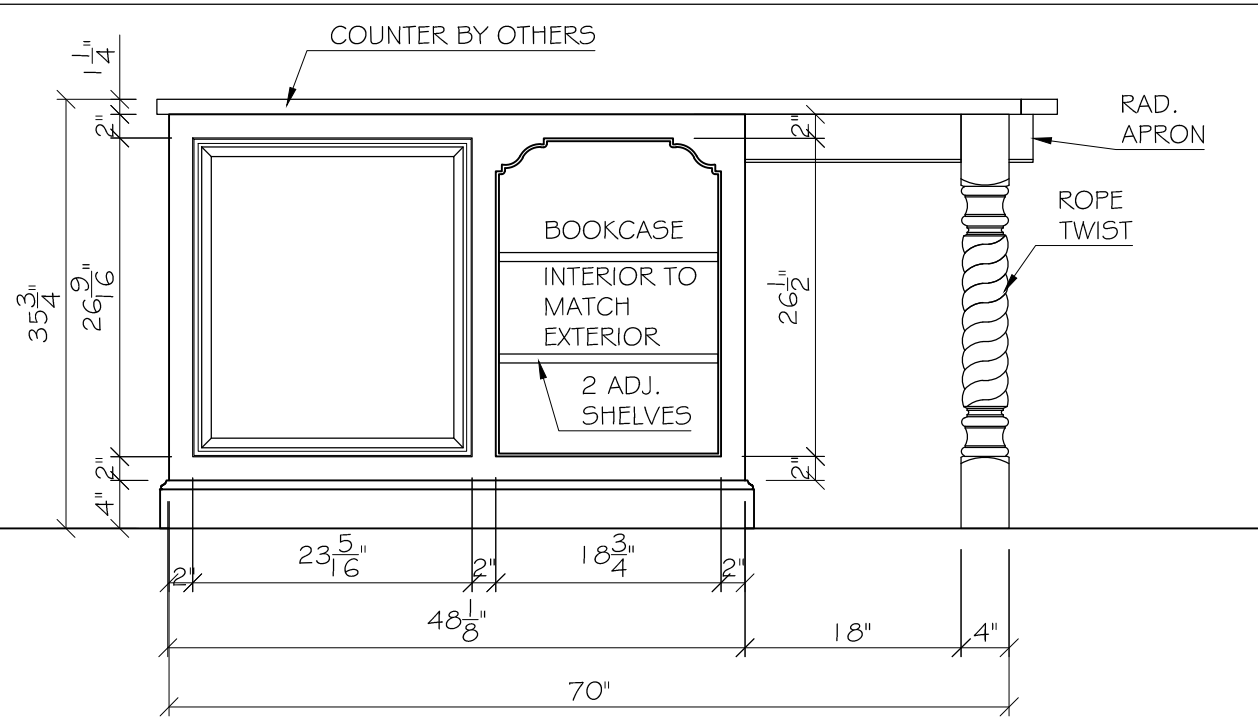
PROJECT LUCENO/MJC
LOCATION -
ARCHITECT -
CONTRACTOR -

TITLE KITCHEN
ELEVATION

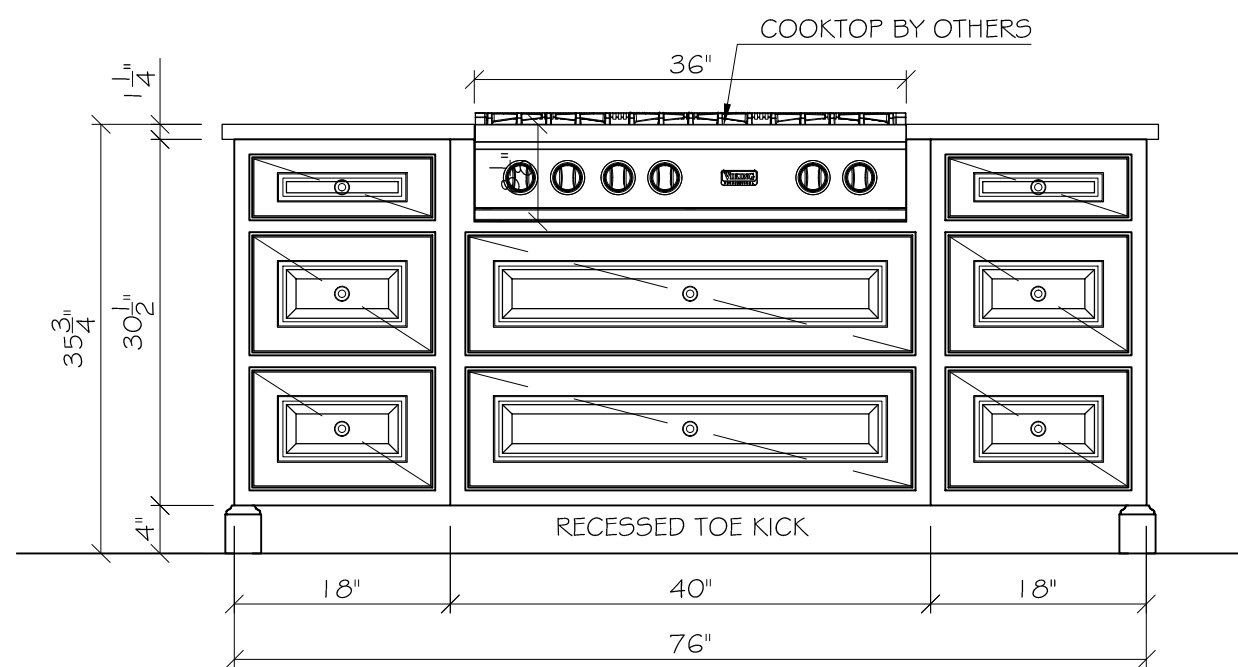
By HWA	Scale AS NOTED	Job No.	Dwg. No.
Ref. Dwg.	Date 10-14-14		1-2



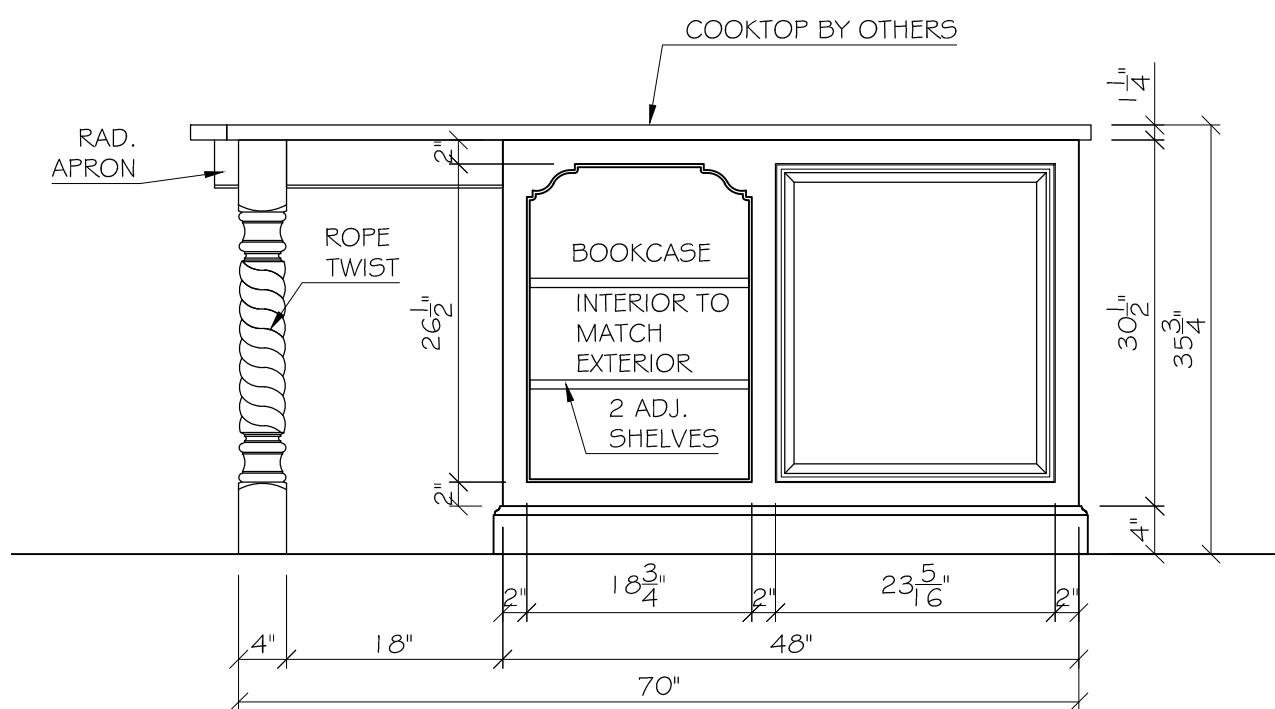
C
1-3
ELEVATION
SCALE: 3/4" = 1'-0"
ARCH. REF.:



D
1-3
ELEVATION
SCALE: 3/4" = 1'-0"
ARCH. REF.:



E
1-3
ELEVATION
SCALE: 3/4" = 1'-0"
ARCH. REF.:



F
1-3
ELEVATION
SCALE: 3/4" = 1'-0"
ARCH. REF.:

CONSTRUCTION SPECIFICATIONS

CASEWORK
CARCASS: 3/4" PLYWOOD CONSTRUCTION

EXTERIOR: PAINT GRADE

INTERIOR: MAPLE

DOORS
1" THK., CRP-10161, SLANT, SQUARE, MACHINED EDGE
2-5/16" STILE AND RAILS.

GLASS DOORS, 1" THK., CRP-10161, SQUARE, MACHINED
EDGE, REGULAR BEAD MULLIONS. 2-5/16" STILE AND RAILS

DRAWERS
1" THK., CRP-10161, P-057, SQUARE, MACHINED EDGE,
2-5/16" STILES AND 1-1/2" RAILS.

BOTTOM DRAWERS; 1" THK., CRP-10161, SLANT, SQUARE,
MACHINED EDGE, 2-5/16" STILES AND RAILS.

C'TOPS
SUPPLIED BY OTHERS

FINISHING
PERIMETER CAB'TS DESIGNER WHITE W/PEWTER GLAZE

ISLAND - GREY PER APPROVED SAMPLE

HARDWARE
BLUM 563H SERIES FULL EXTENSION, SOFT CLOSING, 21"
BUTT HINGES POLISH CHROME, BH2APC W/STEEPLE FINIAL
SHELF RESTS
HALF MOON TRAY HARDWARE
WASTE BASKETS

MISCELLANEOUS
-

NOTES

REV.	DESCRIPTION	DATE

ALL STAR WOODWORKING
SINCE 1978
401 CLAREMONT AVE., THORNWOOD, NY 10594
TEL (914) 769-9161/FAX (914) 747-4038

PROJECT LUCENO/MJC
LOCATION -
ARCHITECT -
CONTRACTOR -

TITLE KITCHEN - ISLAND
ELEVATION

By	Scale	Job. No.	Dwg. No.
HWA	AS NOTED		1-3
Ref. Dwg.	Date		
-	10-14-14		