

Current text style: Standard

Styles:

- Annotative
- Standard
- TEXT**

All styles

AaBb 1 2

Font

Font Name: romans.shx

Font Style: Regular

Use Big Font

Set Current

New...

Delete

Size

Annotative

Match text orientation to layout

Height: 0.0000



Effects

Upside down

Backwards

Vertical

Width Factor: 1.0000

Oblique Angle: 0

Apply

Close

Help

- Lines
- Symbols and Arrows
- Text
- Fit
- Primary Units
- Alternate Units
- Tolerances

Fit options

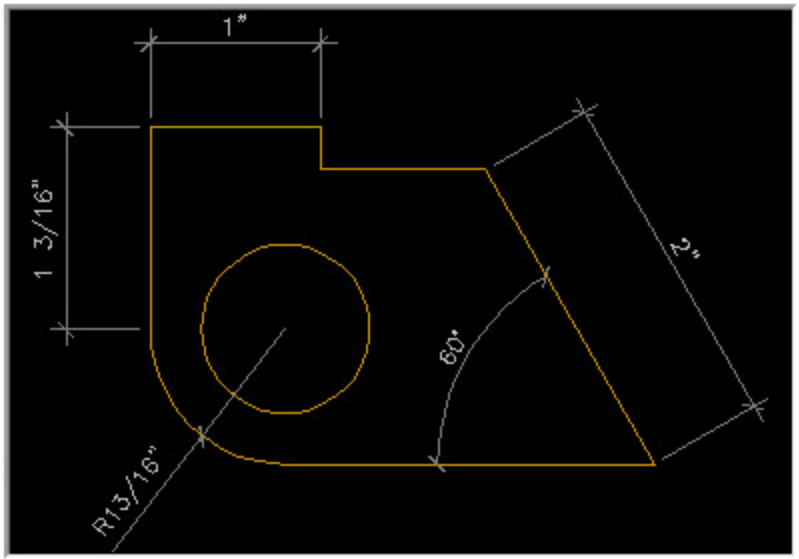
If there isn't enough room to place both text and arrows inside extension lines, the first thing to move outside the extension lines is:

- Either text or arrows (best fit)
- Arrows
- Text
- Both text and arrows
- Always keep text between ext lines
- Suppress arrows if they don't fit inside extension lines

Text placement

When text is not in the default position, place it:

- Beside the dimension line
- Over dimension line, with leader
- Over dimension line, without leader



Scale for dimension features

- Annotative
- Scale dimensions to layout ←
- Use overall scale of:

Fine tuning

- Place text manually
- Draw dim line between ext lines

OK

Cancel

Help

- Lines
- Symbols and Arrows
- Text
- Fit
- Primary Units
- Alternate Units
- Tolerances

Linear dimensions

Unit format: Architectural

Precision: 0'-0 1/16"

Fraction format: Not Stacked

Decimal separator: '.' (Period)

Round off: 0.0000

Prefix:

Suffix:

Measurement scale

Scale factor: 1.0000

Apply to layout dimensions only



Zero suppression

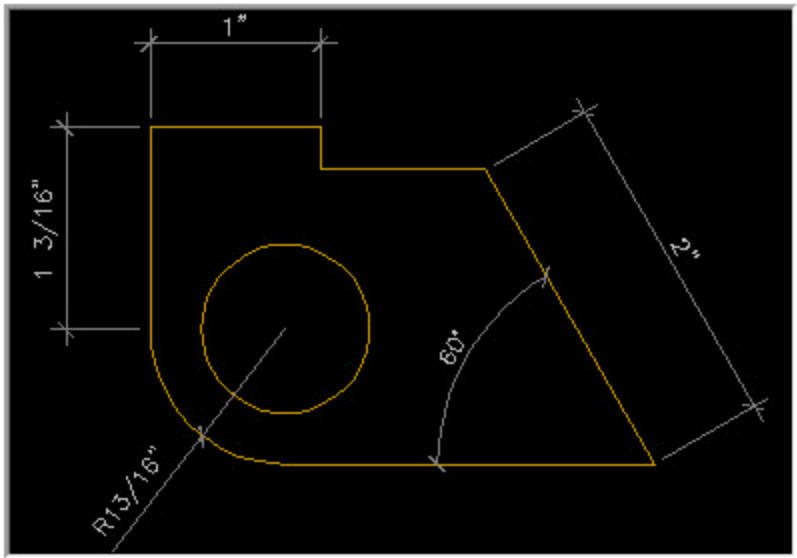
Leading Trailing

Sub-units factor: 100.0000

Sub-unit suffix:

0 feet

0 inches



Angular dimensions

Units format: Decimal Degrees

Precision: 0

Zero suppression

Leading Trailing

Leader Format Leader Structure Content

Constraints

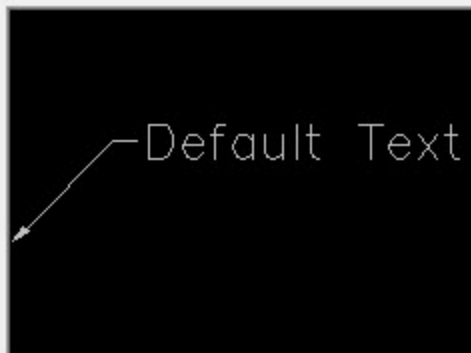
- Maximum leader points 2
- First segment angle 0
- Second segment angle 0

Landing settings

- Automatically include landing
 - Set landing distance
- 1/8"

Scale

- Annotative
 - Scale multileaders to layout
 - Specify scale: 0.00000



OK

Cancel

Help

Leader Format | Leader Structure | Content

Multileader type: Mtext

Text options

Default text: Default Text

Text style: TEXT

Text angle: Keep horizontal

Text color: ByBlock

Text height: 0"

Always left justify

Frame text

Leader connection

Horizontal attachment

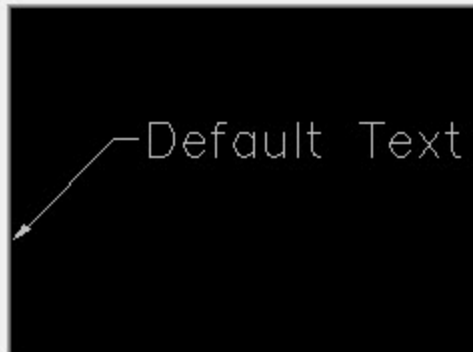
Vertical attachment

Left attachment: Middle of top line

Right attachment: Middle of bottom line

Landing gap: 1/16"

Extend leader to text



OK

Cancel

Help