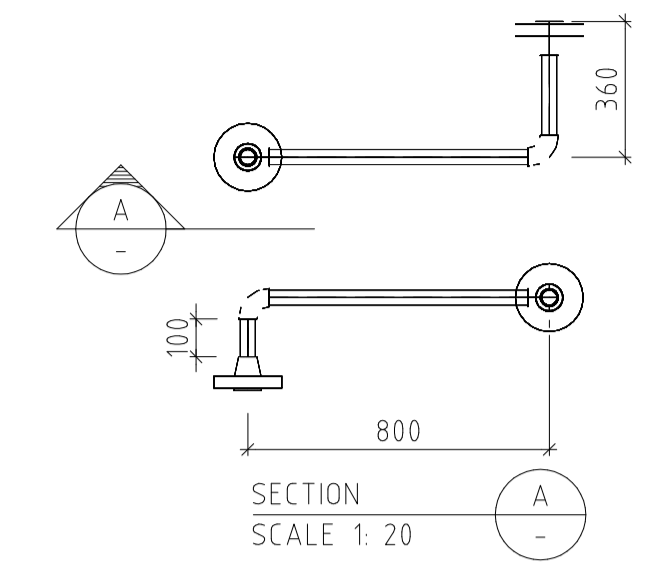
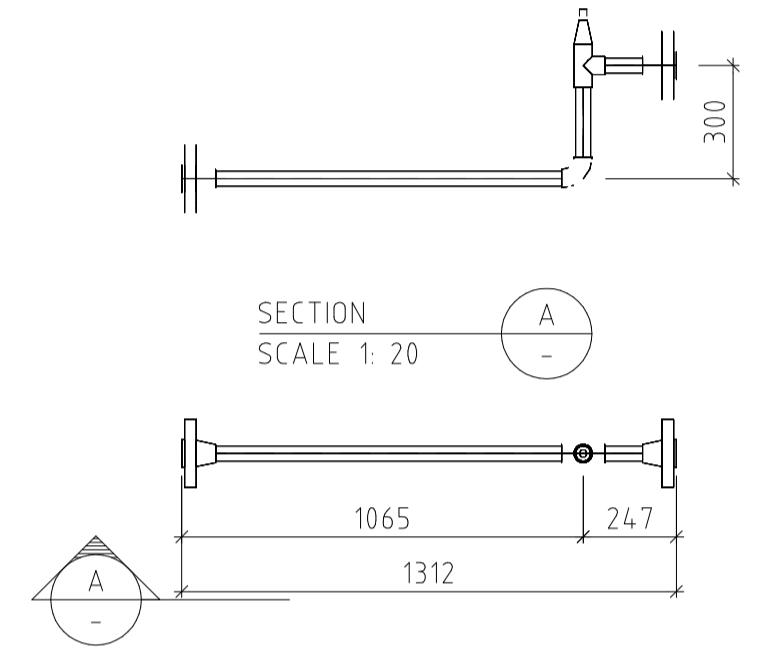


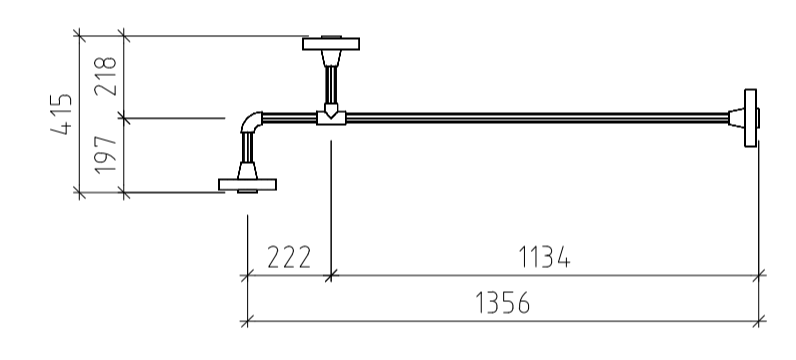
LAB1/SP-05							
SIZE	PIPE	ELBOW	EQUAL TEE	REDUCING TEE	REDUCER	WN FLANGE	SOCKOLET
25	80		1		25X15	1	15NB
25	368						
25	519		1		25X15		15NB
25	69					1	



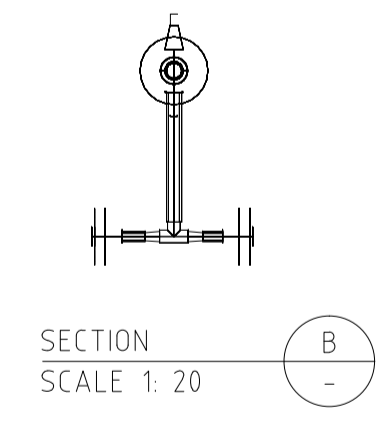
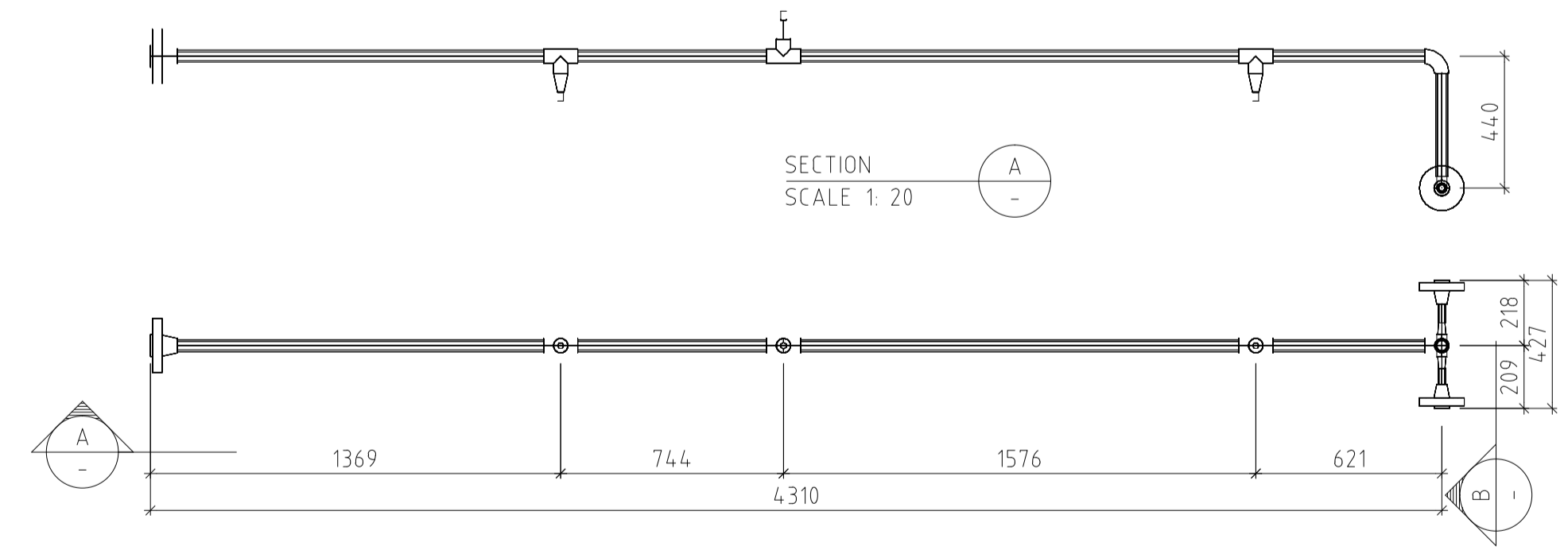
LAB1/SP-01							
SIZE	PIPE	ELBOW	EQUAL TEE	REDUCING TEE	REDUCER	WN FLANGE	SOCKOLET
4.0	100	1				1	
4.0	686	1					
4.0	213					1	



LAB1/SP-02							
SIZE	PIPE	ELBOW	EQUAL TEE	REDUCING TEE	REDUCER	WN FLANGE	SOCKOLET
4.0	918	1				1	
4.0	186		1		40X15		15NB
4.0	100					1	



LAB1/SP-04							
SIZE	PIPE	ELBOW	EQUAL TEE	REDUCING TEE	REDUCER	WN FLANGE	SOCKOLET
25	79	1				1	
25	146		1				
25	1016					1	
25	100					1	



LAB1/SP-03							
SIZE	PIPE	ELBOW	EQUAL TEE	REDUCING TEE	REDUCER	WN FLANGE	SOCKOLET
4.0	1222		1		40X15	1	15NB
4.0	629		1		40X15		15NB
4.0	1462		1		40X15		15NB
4.0	507	1					
4.0	345		1		2 x 40x25		
25	62					1	
25	53					1	