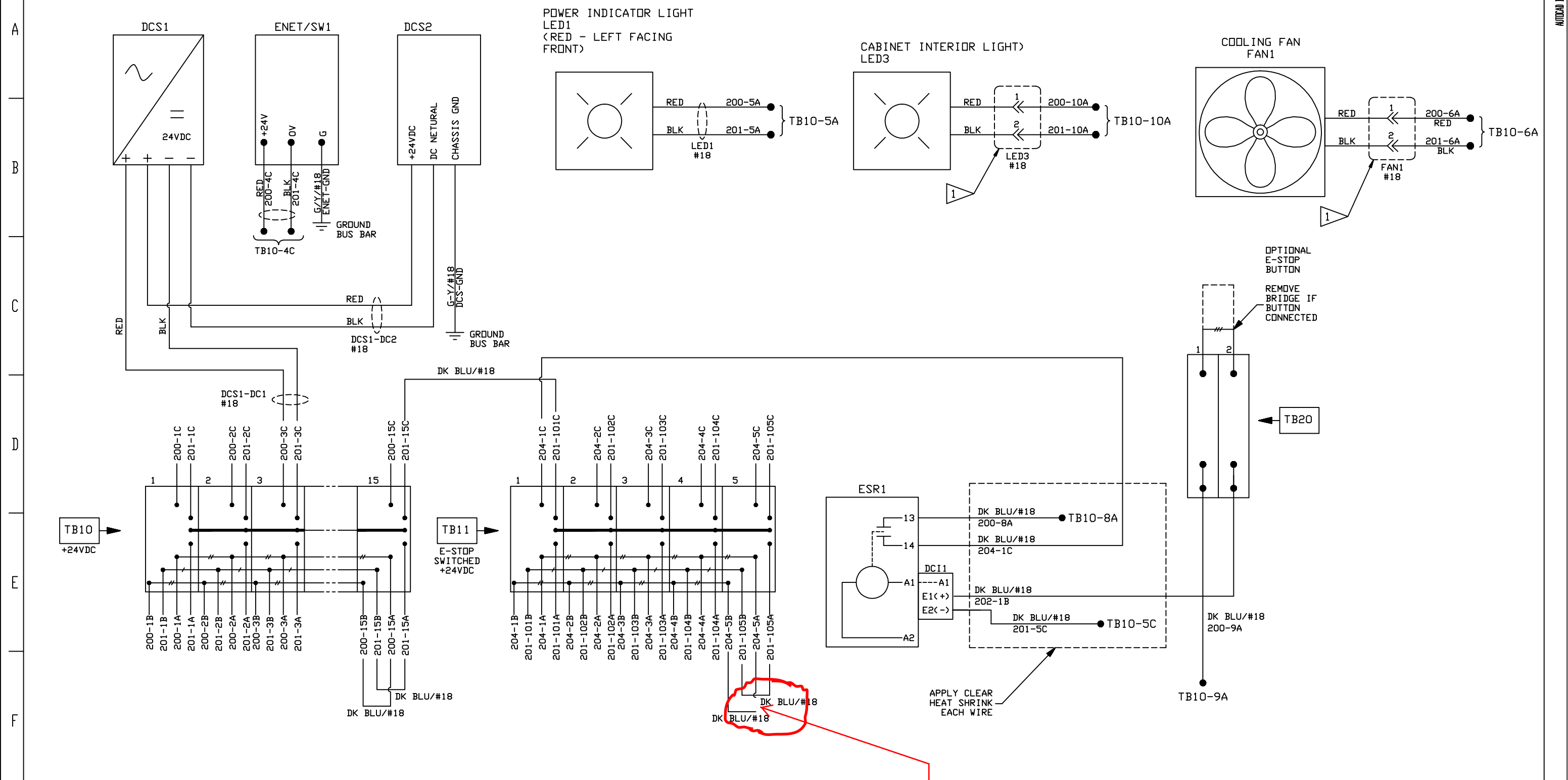


QUANTITY	PART NUMBER	ITEM NO.	PART NAME	DESCRIPTION, MATERIAL	REV. NO.	REVISION DATE
	338526-353	1	ELEC SCHEMATIC	VHPM100-ABX, 230VAC	0	03-27-14



- LEGEND**
- CENTER BRIDGE BAR
 - /- BLUE BRIDGE BAR
 - /- RED BRIDGE BAR
 - /- GRAY BRIDGE BAR
- WIRE #200 +24VDC
 WIRE #201 0 VDC
 WIRE #204 ESTOP-SWITCHED +24VDC

Missing line - see sheet 4

NOTES:
 1 CONNECTOR TYPE PHOENIX CONTACT, QO.75/411DC/18-18KU-KUBK (#1642140)

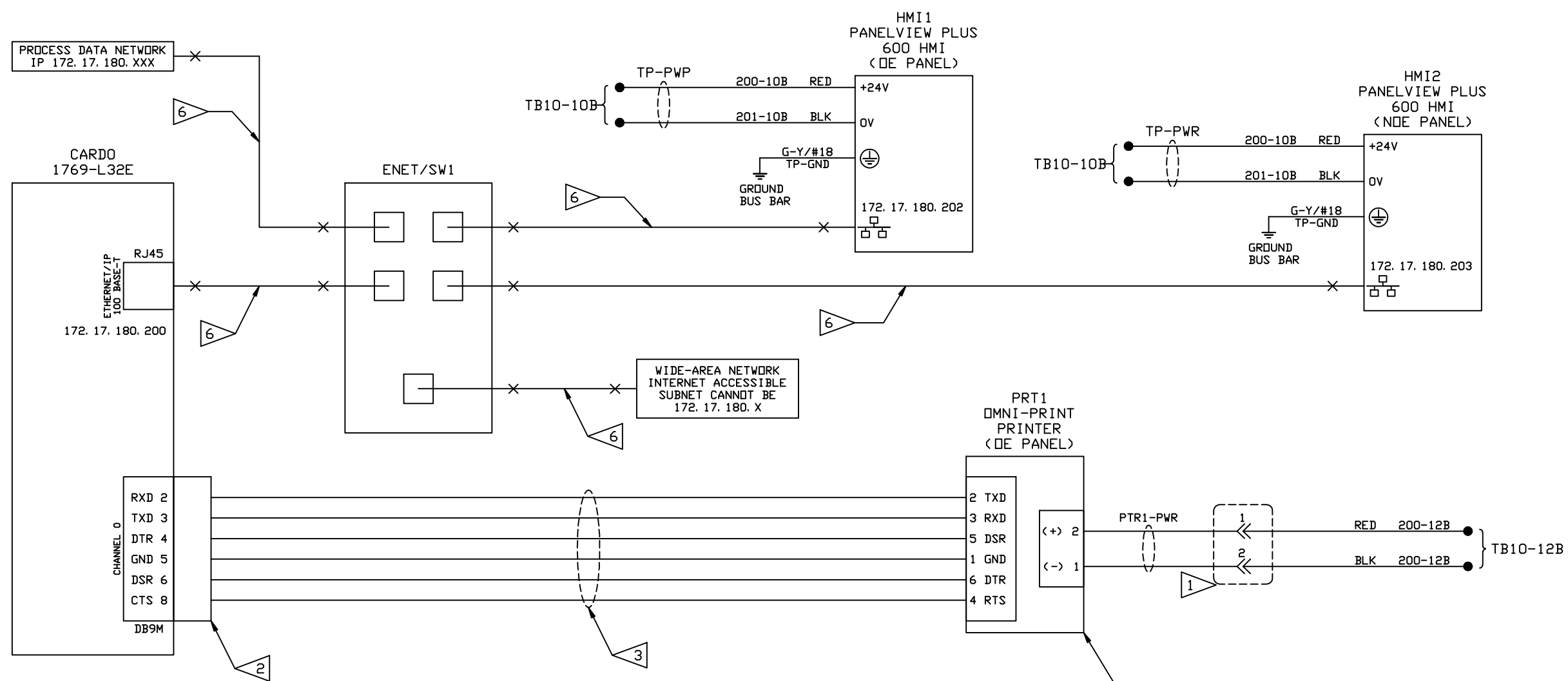
DC DISTRIBUTION WIRING

STERIS		STERIS Corporation Mentor, OH		TITLE ELECTRICAL SCHEMATIC VHPM100-ABX, 230VAC w/PTC	
<small>This document contains confidential and proprietary information of STERIS Corporation. It is not to be reproduced, distributed, or used in any manner without the prior written consent of STERIS Corporation.</small>		FIRST MADE FOR:		DWG. NO. 338526-353	
DATE 03-27-14	SAT	DATE 03-27-14	DATE	DATE	DATE

AUTOCAD DWG

AUTOCAD DWG

QUANTITY	PART NUMBER	ITEM NO.	PART NAME	DESCRIPTION, MATERIAL	REV. NO.	REVISION DATE
	338526-353	1	ELEC SCHEMATIC	VHPM100-ABX, 230VAC	0	03-27-14



- NOTES:**
- 1 CONNECTOR TYPE PHOENIX CONTACT, QO.75/411DC/18-18KU-KUBK (#1642140).
 - 2 DB9 NULL MODEM ADAPTOR TYPE MONDPRICE 1203 OR EQUIVALENT.
 - 3 CABLE TYPE OMNI CBL-2466-IF-L (EQUIPPED WITH PRINTER), DB9F/RJ12.
 - 4 RJ12 6-P/6-C COUPLER TYPE, ABERGETTY AD129-STR6-IV OR EQUIVALENT.
 - 5 RJ12 6-P/6-C CABLE TYPE, DIGI-KEY H1663R-14-ND OR EQUIVALENT.
 - 6 ETHERNET CAT5 PATCH CABLE, LENGTH A/R.

1

here it is!

- DIP SWITCHES:**
- 1-ON (9600 BAUD)
 - 2-OFF (9600 BAUD)
 - 3-ON (8 BITS)
 - 4-OFF (NO PARITY)
 - 5-OFF (ODD PARITY)
 - 6-OFF (DTR)
 - 7-OFF (CR=LF)
 - 8-OFF (FONTA=6X10)
 - 7-ON (CR=LF)
 - 8-ON (FONTB=10X14)
- DEFAULT SETTINGS**
- SMALL FONT
 - LARGE FONT

COMMUNICATIONS WIRING

		STERIS Corporation Mentor, OH		TITLE ELECTRICAL SCHEMATIC VHPM100-ABX, 230VAC w/PTC	
		<small>This document contains confidential and proprietary information of STERIS Corporation. It is not to be distributed, copied, or used in any manner without the express written consent of STERIS Corporation.</small>		FIRST MADE FOR:	
DWG NO.	DATE	DES.	DATE	DWG NO.	DATE
338526-353	03-27-14			338526-353	03-27-14

AUTOCAD DWG