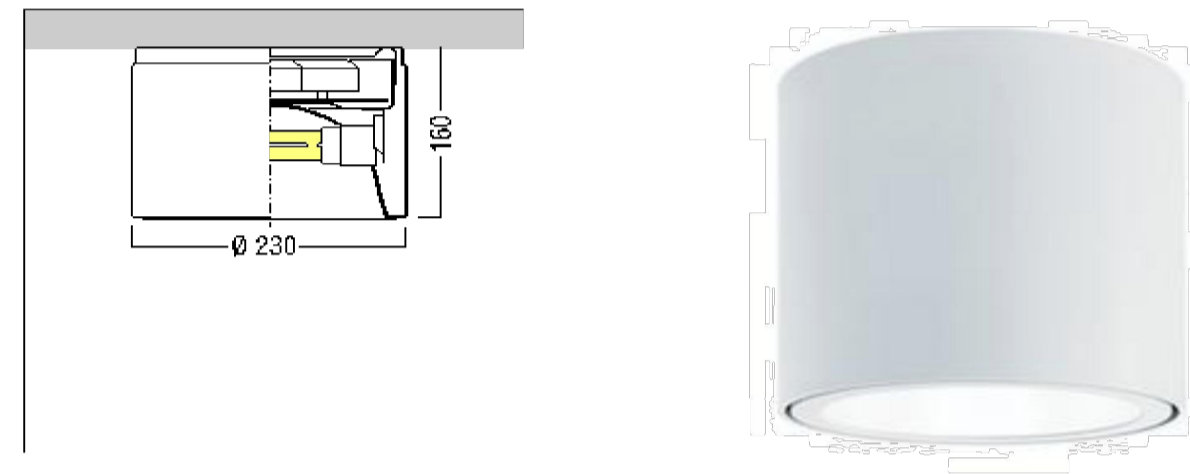




DL5

Project : Acleda Bank
 Property : HQ
 Fitting type : Surface Mounted Downlight
 Location : External Entrance @ Link Building

Date of issue : January 2014
 Supplier : Zumtobel
 Country of origin : Asia



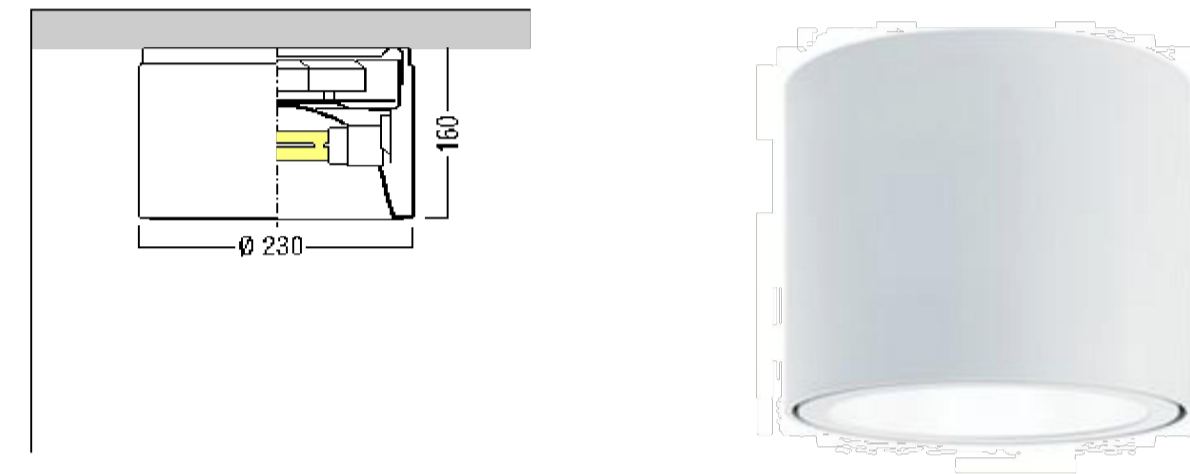
Lamp type : CFL
 Wattage : 26 W
 Beam angle : N/A
 Ballast : Electronic

Cut out size : Surface Mount
 Material : Die-Cast Aluminium
 Finish : White
 Model : Panos A-LM 200

DL5

Project : Acleda Bank
 Property : HQ
 Fitting type : Surface Mounted Downlight
 Location : External Entrance @ Link Building

Date of issue : January 2014
 Supplier : Zumtobel
 Country of origin : Asia



Lamp type : CFL
 Wattage : 26 W
 Beam angle : N/A
 Ballast : Electronic

Cut out size : Surface Mount
 Material : Die-Cast Aluminium
 Finish : White
 Model : Panos A-LM 200

DRAWING LEGEND :

NO.	DESCRIPTION	DATE	BY.
NO. 5	DES-05	DATE. 5	BY. 5
NO. 4	DES-04	DATE. 4	BY. 4
NO. 3	DES-03	DATE. 3	BY. 3
NO. 2	DES-02	DATE. 2	BY. 2
NO. 1	DES-01	DATE. 1	BY. 1

REVISIONS/ISSUE

General Notes :
 - ALL ELECTRICAL DESIGNS AND DRAWINGS ARE OWNED BY
 CIL LIGHTING (S) PVT. LTD., AND ARE NOT ALLOWED TO BE USED
 OR REPRODUCED WITHOUT ANY PERMISSION
 - DO NOT SCALE DRAWINGS. USE FIGURED DIMENSIONS ONLY.

Project :

Drawing Description :
 DESCRIPTION-01
 DESCRIPTION-02
 DESCRIPTION-03

Drawing By : CIL	Checked By : Mr. Ian Potter
Scale : SCALE	Date : DATE
Drawing No. TC-XXX_EXX.XX	Rev. REV