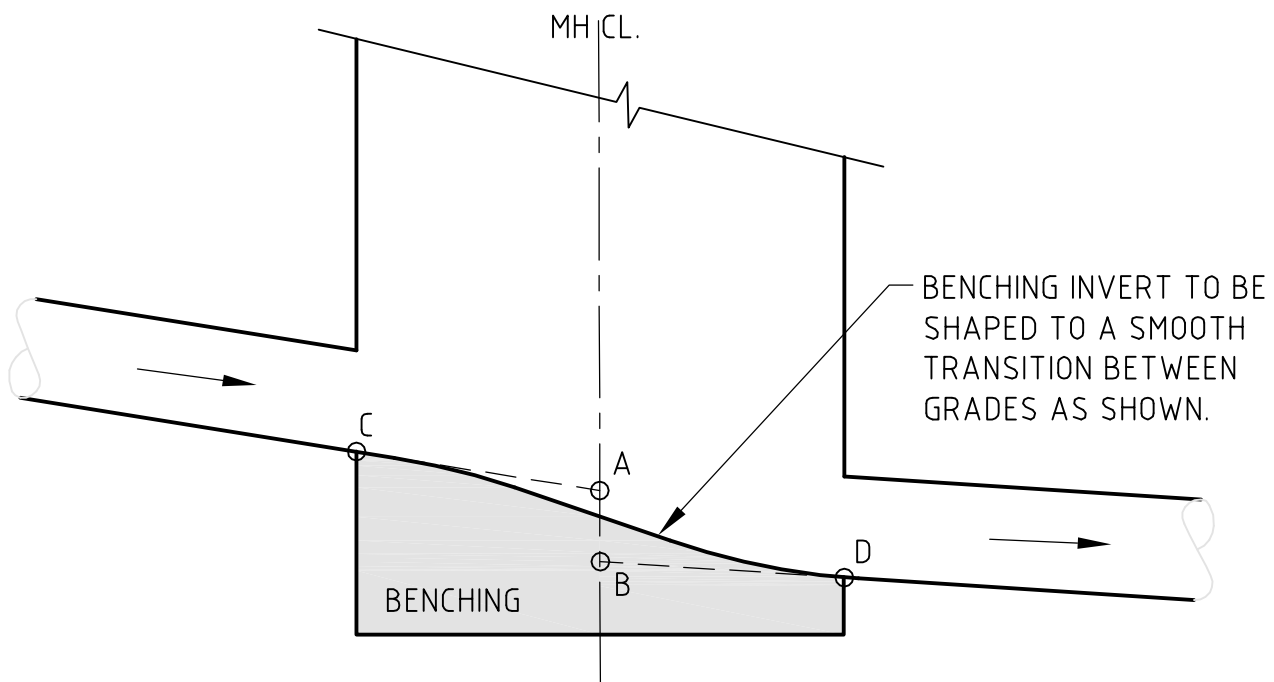


GRADE OF INLET PIPE EXTENDS TO OUTLET SIDE OF MANHOLE BUT MINIMUM DROP ACROSS MANHOLE REQUIREMENTS (C - D) ALSO APPLY WHERE HORIZONTAL DIRECTION CHANGES AT THE MANHOLE. THIS HAS BEEN ALLOWED FOR IN THE DESIGN. LEVELS A AND B ARE THEREFORE "GRADE POINT" LEVELS.

GRADE INCREASES THROUGH MANHOLE



GRADE DECREASES THROUGH MANHOLE

INVERT LEVELS AS SHOWN ON LONGSECTIONS

NTS

LEVELS A AND B SHOWN AS "GRADE POINT LEVEL (AT MH CL.)"