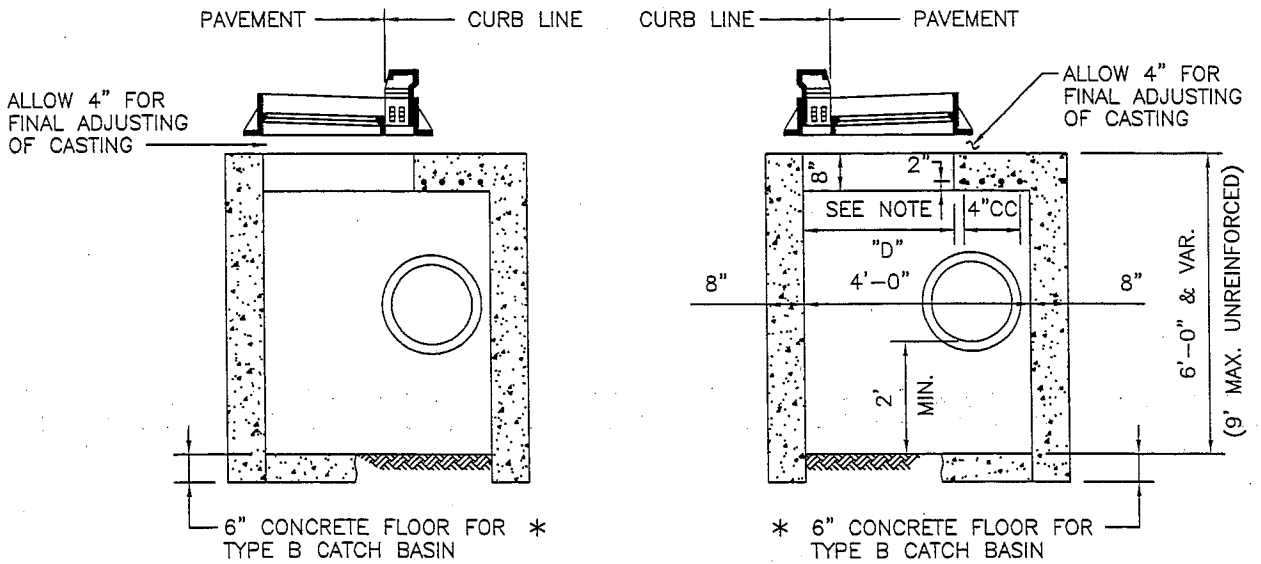


NOTE:
 "D" = 2'-7 1/2" FOR C.I. BOX FRAME & GRATE
 "D" = 2'-1 1/2" FOR C.I. FRAME TYPE 1 OR 2

PLAN



SECTION A-A
(ALTERNATE)

SECTION A-A

CATCH BASIN TYPES A & B
ITEM 13A
 N.T.S.

Approximate weight of Casting is 875 lbs