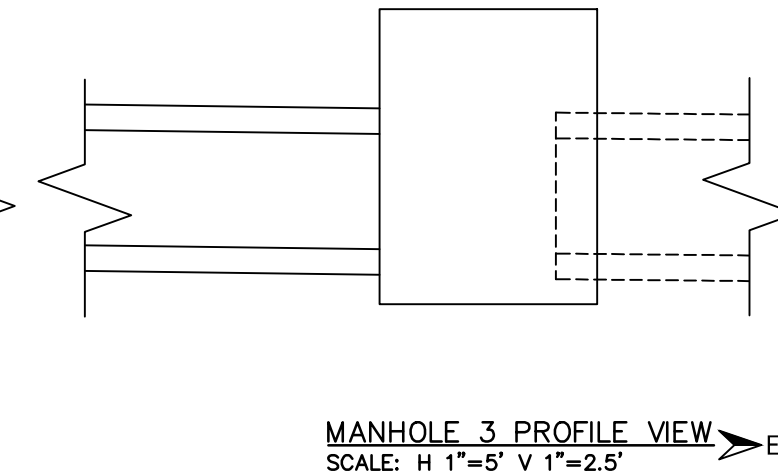
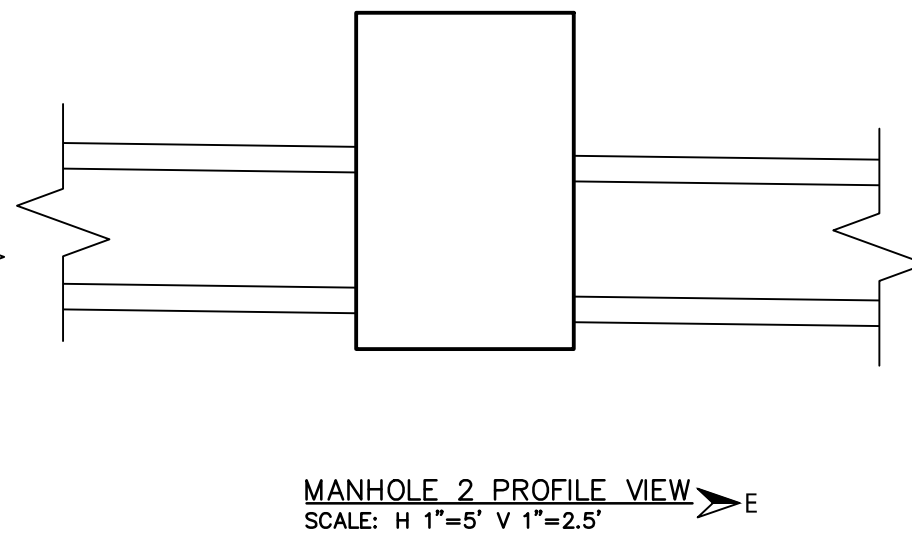
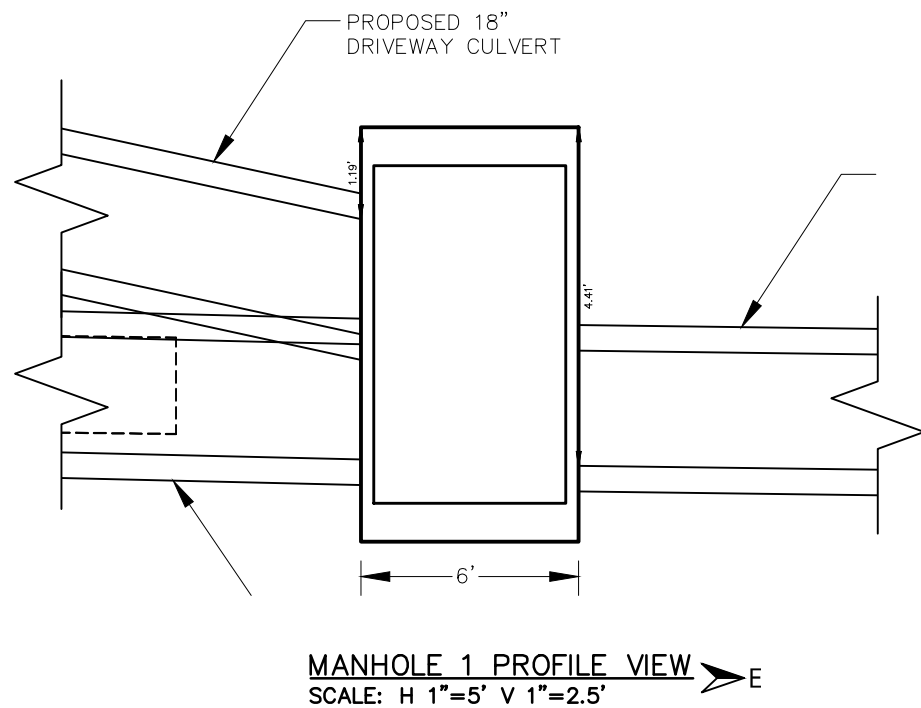
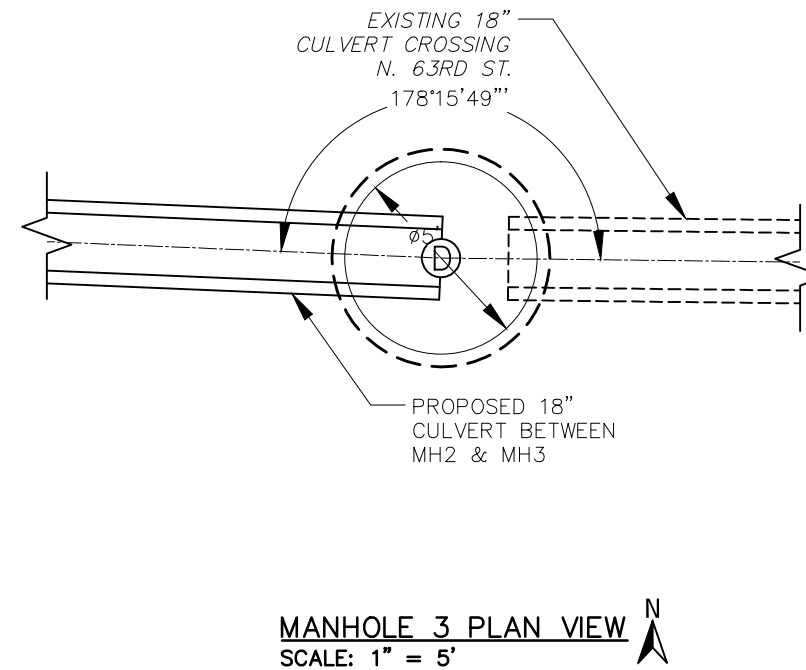
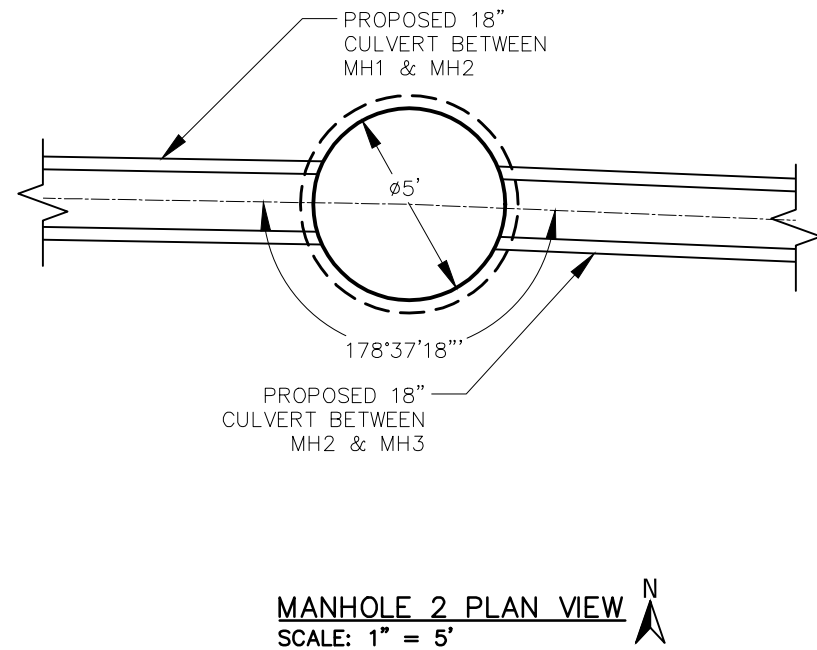
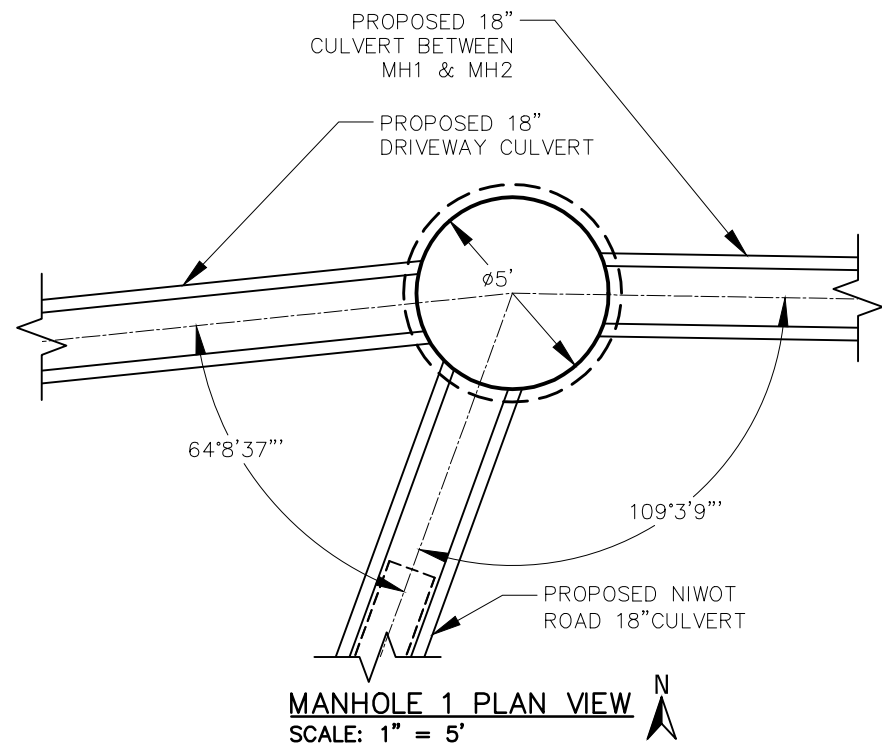


T:\PROJECTS\NEVA-NIWOT RD-034-000\SHOULDER WIDENING AND OVERLAY PROJECT\AUTOCAD\DWG 2010\NEVA-NIWOT CROSS SECTIONS STA 222+00 TO END STA MH DETAILS 012610.DWG LAST PLOTTED 1/28/2010 11:29 AM



100%

REVISED		BOULDER COUNTY TRANSPORTATION DEPARTMENT ENGINEERING DIVISION					CULVERT MANHOLE DETAILS	
DATE	REVISION	PROJECT NUMBER	DESIGNED	DRAWN	CHECKED		DATE	NEVA/NIWOT RD SHOULDER WIDENING & OVERLAY PROJECT
		RD-034-000	AR	KAB	MAT	1/27/10		