

DRAWING TITLE: PIPE CLASS: BUILD LOCATION:

PROJECT: CUSTOMER: TOOL or LATERAL: SPOOL No.: SYSTEM NAME: PROJECT and TASK: MATERIAL PHASE CODE: CHANGE ORDER No.: REVISION: DATE:
 SPOOL OF

CODE:
 NONE
 ANSI B31.9
 ANSI B31.3
 ANSI B31.1
 ASME V111
 OTHER

WPS NO.
 NONE

NDE REQUIREMENTS:
 5% X-RAY
 10% X-RAY
 100% X-RAY
 VISUAL
 D.P.T.
 M.P.T.
 VISUAL
 D.P.T.
 M.P.T.

P.W.H.T.
 B.H.N.
 SANDBLAST
 PAINT
 GALVANIZE
 COLOR CODE

STAMP PIPE WITH
 IN.

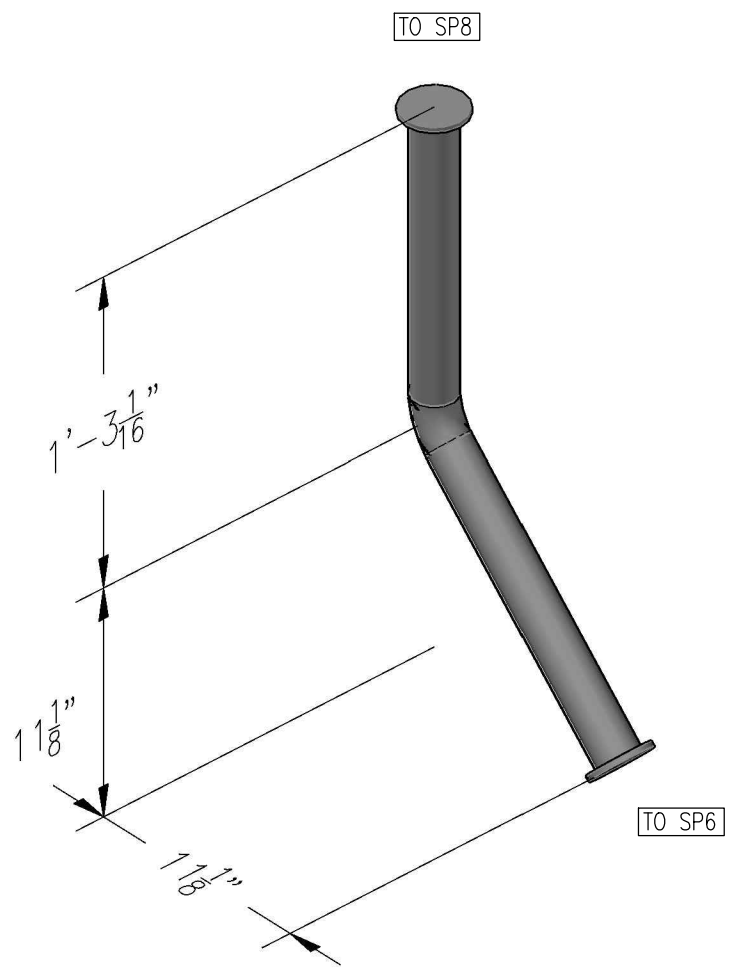
STAMP PIPE WITH
 HEAT No.

REQUESTED DELIVERY:

V906 SP7

COMPLETION DATE:

WEIGHT:
 LBS.



PIPE-SPEC

 FITTING-SPEC

 FLANGE-SPEC

FAB SHOP SUPPLIED BILL OF MATERIALS			
ITEM	QTY	SIZE	DESCRIPTION
1			
2			
3			
4			
5			
6			
7			
8			
9			
10			
11			
12			
13			
14			
15			
16			
17			
18			
19			
20			

SITE SUPPLIED BILL OF MATERIALS		
ITEM	QTY	DESCRIPTION
A		
B		
C		
D		
E		
F		
G		
H		
I		
J		

DRAWN BY: DATE:
 APPROVED BY: DATE:

DRAWING NOT TO SCALE