

AutoCAD LT 2010 trim out plan.dwg Type a keyword or phrase

Format Tools Draw Dimension Modify Parametric Window Help

View Manage Output

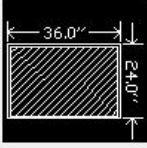
CRS STANDARD INCHE... CRS Standard

### Plot - Model

[Learn about Plotting](#)

**Page setup**  
Name: <None> Add...

**Printer/plotter**  
Name: KIP 3000 Series Properties...  
Plotter: KIP 3000 Series - Windows System Driver - by Autodesk  
Where: KIP0  
Description:  
 Plot to file



**Paper size**  
ARCH D

**Number of copies**  
1

**Plot area**  
What to plot: Window Window<  
Plot offset (origin set to printable area)  
x: 0.649757 inch  Center the plot  
y: 0.594464 inch

**Plot scale**  
 Fit to paper  
Scale: 1:16  
1 inches =  
16 units  
 Scale lineweights

**Plot style table (pen assignments)**  
CRS.ctb


**Shaded viewport options**  
Shade plot: As displayed  
Quality: Normal  
DPI: 300

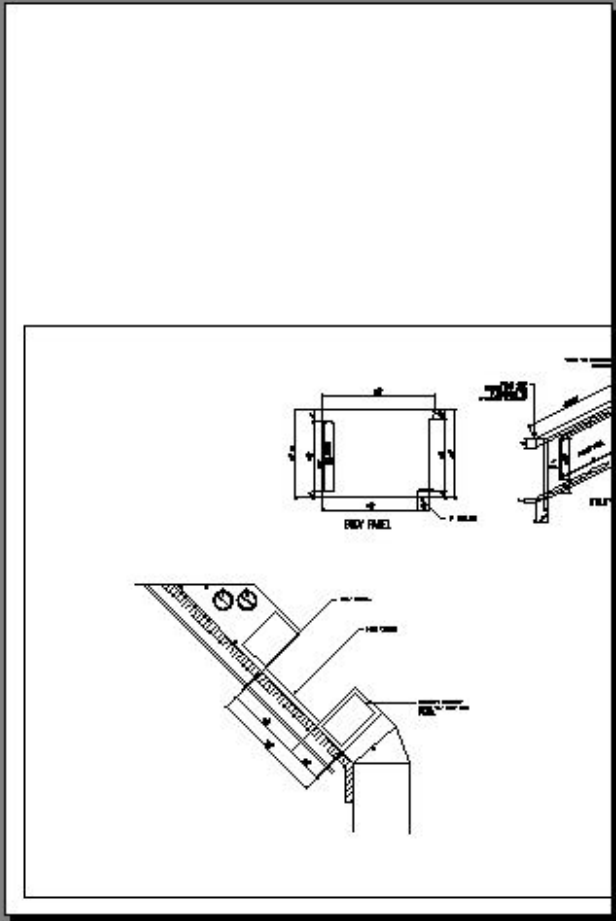
**Plot options**  
 Plot in background  
 Plot object lineweights  
 Plot with plot styles  
 Plot paperspace last  
 Hide paperspace objects  
 Plot stamp on  
 Save changes to layout

**Drawing orientation**  
 Portrait  
 Landscape A  
 Plot upside-down

Preview... Apply to Layout OK Cancel Help

y opposite corner:





or right-click to display shortcut menu.