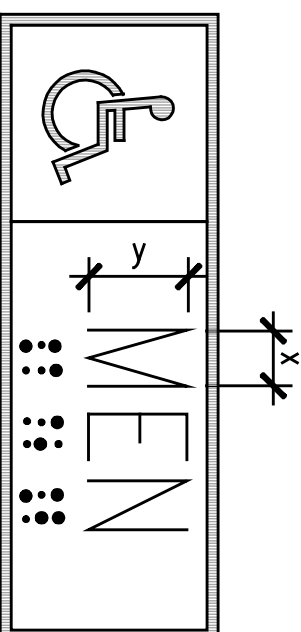
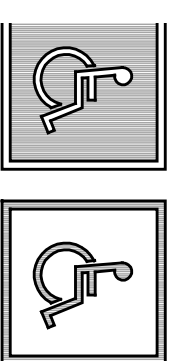
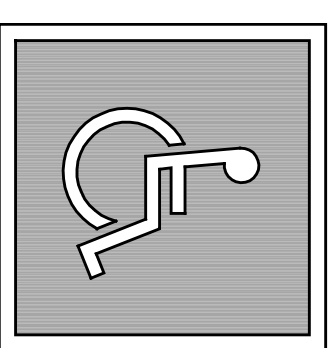


other non-glare finish. Characters and symbols shall contrast with their background (either light characters on a dark background or dark characters on a light background).

SECTION 4.30.6 – MOUNTING LOCATION AND HEIGHT (REFERENCE DETAIL 16.3)

- A. Where permanent identification is provided for rooms and spaces, signs shall be installed on the wall adjacent to the latch side of the door.
- B. Where there is no wall space to the latch side of the door, including at double-leaf doors, signs shall be placed on the nearest adjacent wall.
- C. Mounting height shall be 60" above the finished floor to the centerline of the sign.
- D. Mounting location for such signage shall be so that a person may approach within 3" of signage without encountering protruding objects or standing within the swing of a door.

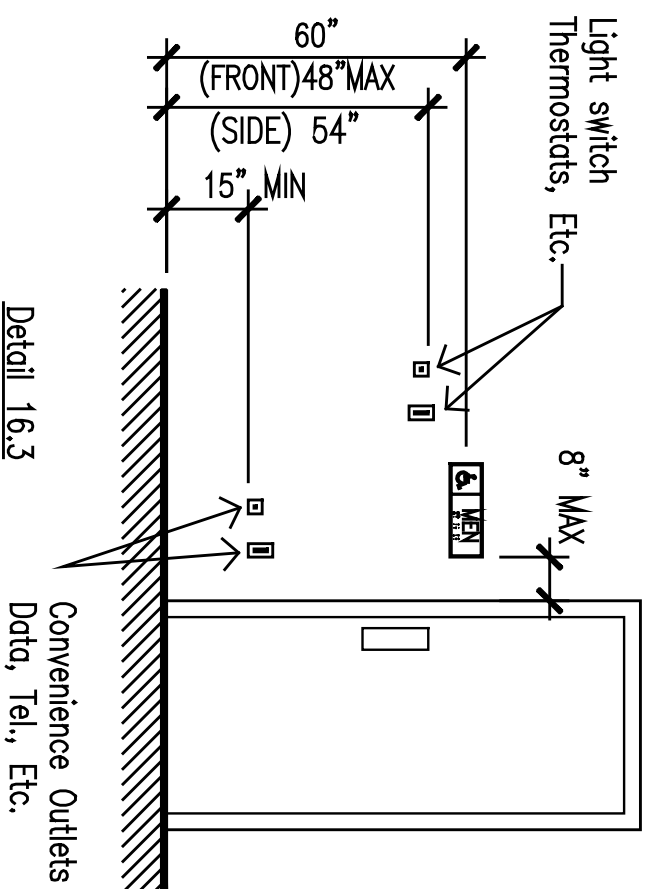


Letter & numbers on signs shall have a width to height ratio of between 3:5 & 1:1 and a stroke – width to height ratio between 1:5 & 1:10. Letters and numbers shall be raised 1/32", upper case, sans serif or simple serif type and shall be accompanied with grade 2 Braille, raised characters shall be at least 5/8" high, but no higher than 2".

ernational Symbol of Accessibility

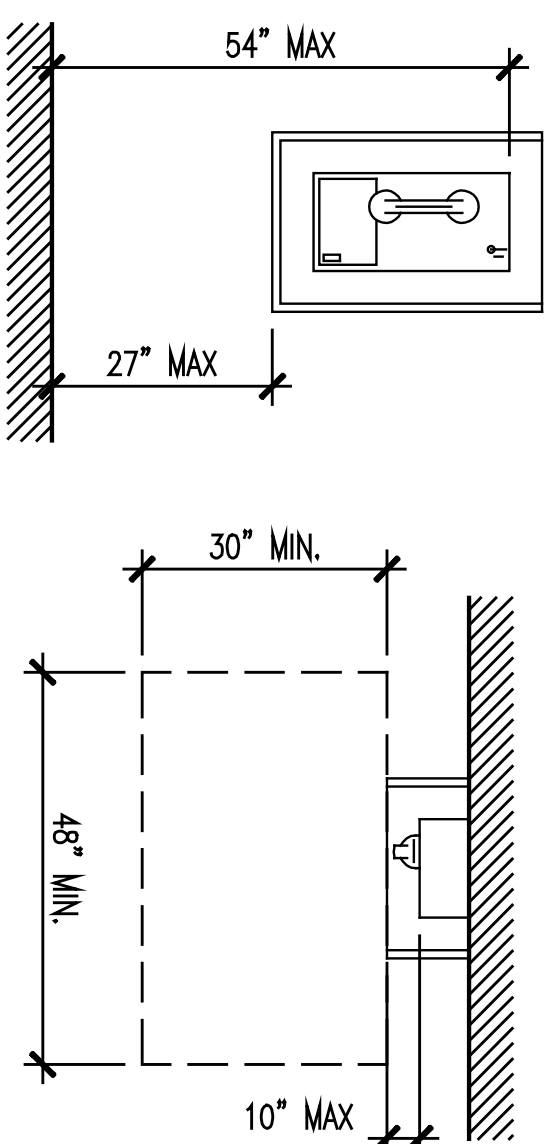
Detail 16.1

Detail 16.2



Detail 16.3

Convenience Outlets
Data, Tel., Etc.



Detail 17.1

4.32 – FIXED OR BUILT-IN SEATING AND TABLES

TAS SECTION 4.32.2 – SEATING

- A. If seating spaces for people in wheelchairs are provided at fixed tables or counters, clear floor space of 30" x 48" shall be provided. Floor space shall not overlap required knee space by more than 19"

TAS SECTION 4.32.3 – KNEE SPACE

- B. If seating for people in wheelchairs is provided at fixed tables or counters, knee space at least 27" high, 30" wide and 19" deep shall be provided.

TAS SECTION 4.32.4 – HEIGHT OF TABLES OR COUNTER

- C. The tops of accessible tables and counters shall be 28" minimum, and 34" maximum, above the finished floor.

4.34 – AUTOMATIC TELLER MACHINES

TAS SECTIONS 4.34.2 – CLEAR FLOOR SPACE

- A. Floor space shall comply with 4.2.4 to allow a forward, parallel approach or both.

TAS SECTIONS 4.34.3 – REACH RANGES

- A. Forward approach only: controls within forward approach specified in 4.2.5.
- B. Parallel approach: controls within unobstructed reach range from clear floor space at protrusion of teller machine surround per table as follows:

Reach Depth in inches	Maximum Height in inches	Reach Depth in inches	Maximum Height in inches	Reach Depth in inches	Maximum Height in inches
10 or less	54	15	51	20	48 1/2
11	53 1/2	16	50 1/2	21	47 1/2
12	53	17	50	22	47
13	52 1/2	18	49 1/2	23	46 1/2
14	51 1/2	19	49	24	46

Note : above does not apply to drive up machines.

Portions of the:

Texas Accessibility Standards

Architectural Barriers Act

Articles 9102, Texas Civil Statutes

Effective April 1, 1994

Full text can be obtained from:

Texas Dept of Licensing and Regulation

Policies and Standards Division

Architectural Barriers Section

P.O. Box 12157

Austin, Texas 78711

512.463-3211

www.license.state.tx.us