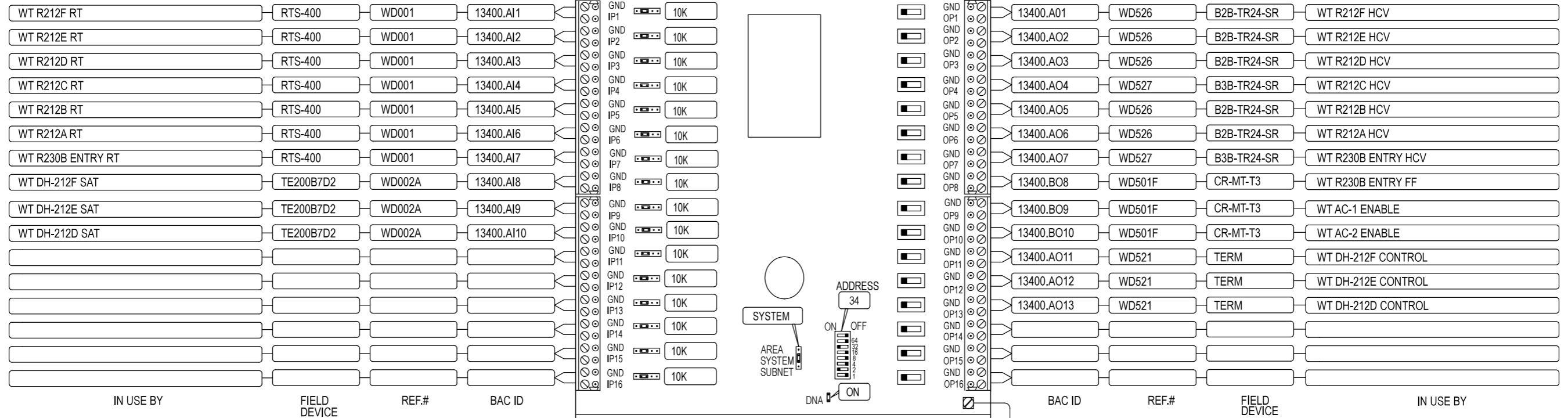
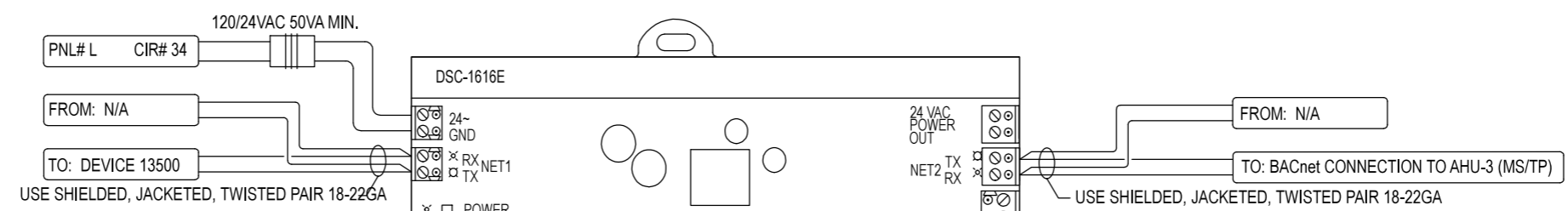
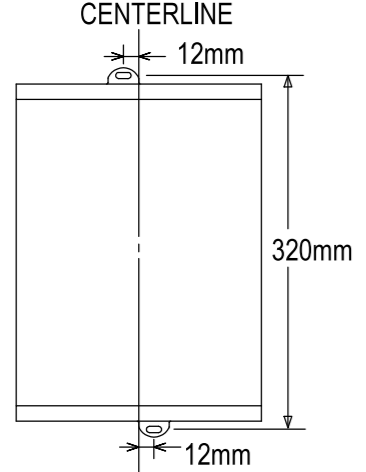


MOUNTING DETAILS



**DEVICE 13400
DSC-1616E**

BAC ID LEGEND:

#####X##### (NOTE: LEADING ZEROS NOT USED)

- INSTANCE NUMBER: FROM PANEL I/O = PHYSICAL CONNECTION NUMBER
- I/O TYPE: AI=ANALOG INPUT, BI=BINARY INPUT, MI=MULTISTATE INPUT
AO=ANALOG OUTPUT, BO=BINARY OUTPUT
- DEVICE BASIC ADDRESS FROM SWITCH
- DEVICE BACNET ADDRESS = DEVICE SWITCH ADDRESS * DEVICE TYPE FACTOR
- DEVICE TYPE: = AREA (FACTOR = 10000)
= SYSTEM (FACTOR = 100)
= SUBLAN (FACTOR = 1)
= LINKNET DEVICE (BACNET ADDRESS USES HOSTPANEL_ID)

EXAMPLES:
 AREA DEVICE # 3, BINARY INPUT NUMBER 4 [BACNET ADDRESS = 30000.BI4]
 LINKNET DEVICE # 2, BINARY INPUT NUMBER 3 [BACNET ADDRESS = HOSTPANEL_ID.BI203]

				578 JOHN ST. VICTORIA, B.C. V8T-1T8 WEBSITE: www.islandtemp.com E-MAIL: itc@islandtemp.com PHONE: 250.382.2161 FAX: 250.382.2162			
		SHEET TITLE:		BUILDING AUTOMATION SYSTEM DEVICE 13400 - WIRE DETAIL			
		MECHANICAL CONTRACTOR:		MECHANICAL CONSULTANT:			
		M.GRIFFIN LTD 941 VIEW STREET VICTORIA, B.C. V8V 3L6		GENIVAR 400-401 GARBALLY RD VICTORIA, B.C. V8T-5M3			
2	WILNA THOMAS MRT C13-017	AUG 2013	DATE:	PROJECT: CAMOSUN COLLEGE LANDSDOWNE CAMPUS WILNA TOMAS ADDITION VICTORIA, B.C.			
1	WILNA THOMAS MRT C13-017	JUNE 2013	JUNE 2013	DATE:	DRAWN BY: A.JAEGER		
REV.	DESCRIPTION	DATE	APP. ENG. D.O.	CHECKED BY:	DRWG. NO.:	C11148-2 OF 11	