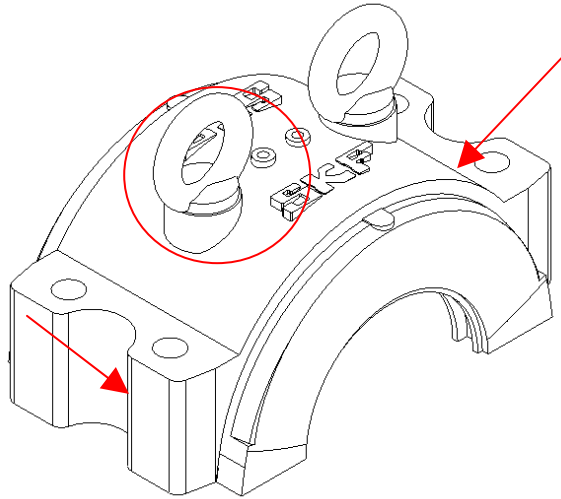


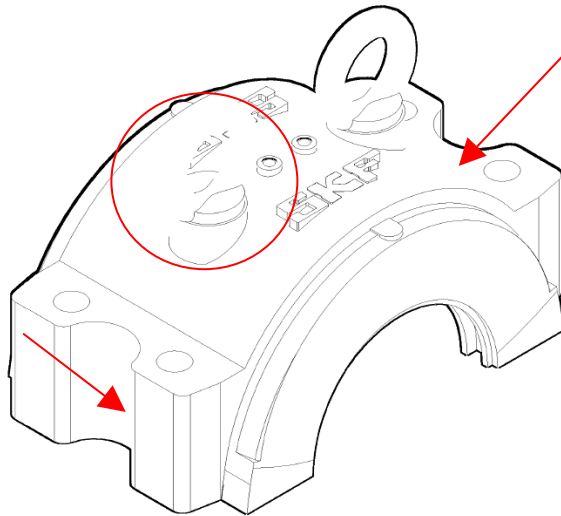
This is what I get from **Inventor idw.**



1

This is what I get from **Publisher.**

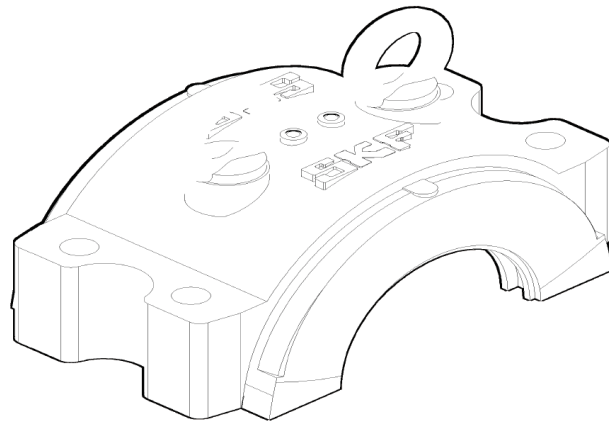
The left eyebolt is almost invisible due to the lack of sharp corners. The same applies for every rounded corner located within the silhouette of the part.



2

This is what I get if I **publish to pdf.**

The image inserted into the pdf document is badly distorted: nothing changes if I modify the resolution or the dimensions of the snapshot.



3

Ghost image of the Application menu.

