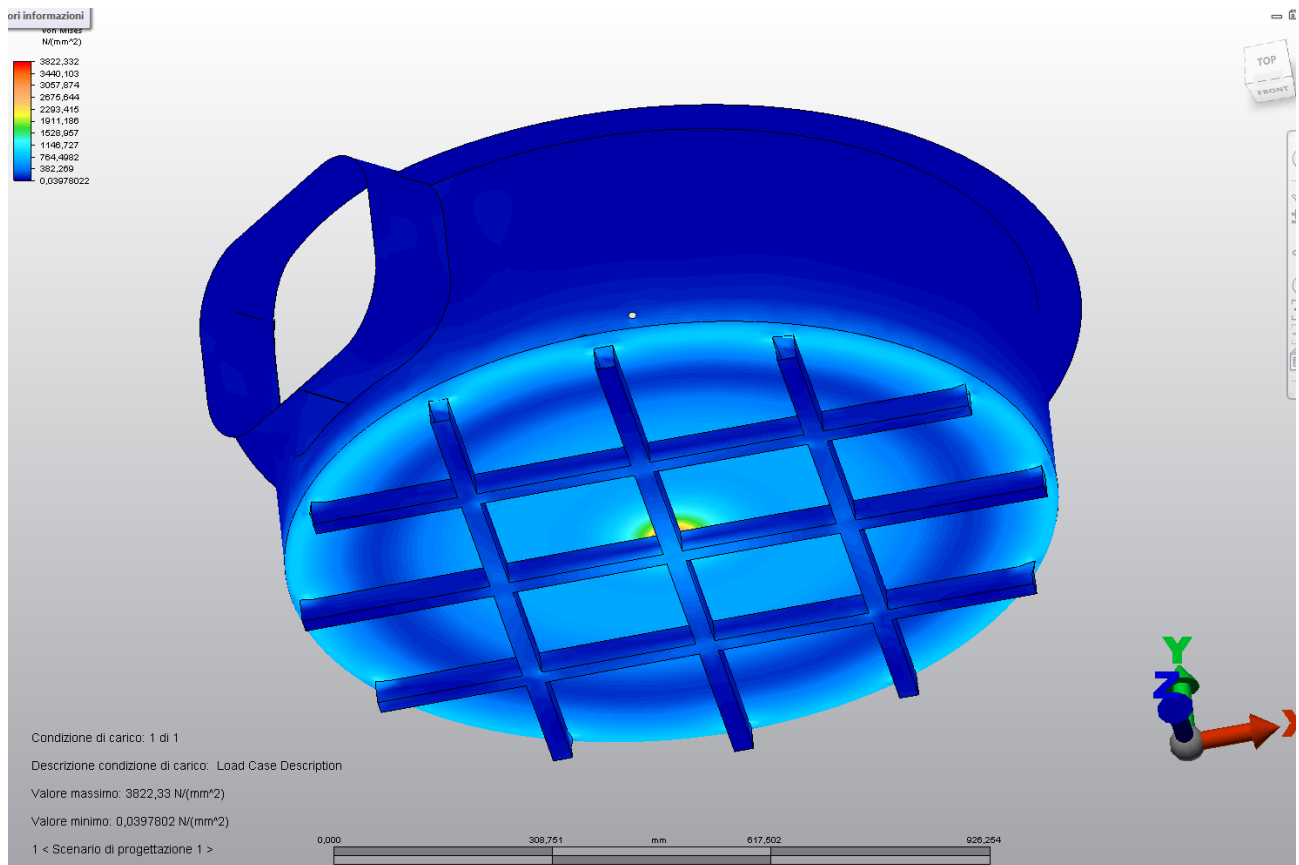
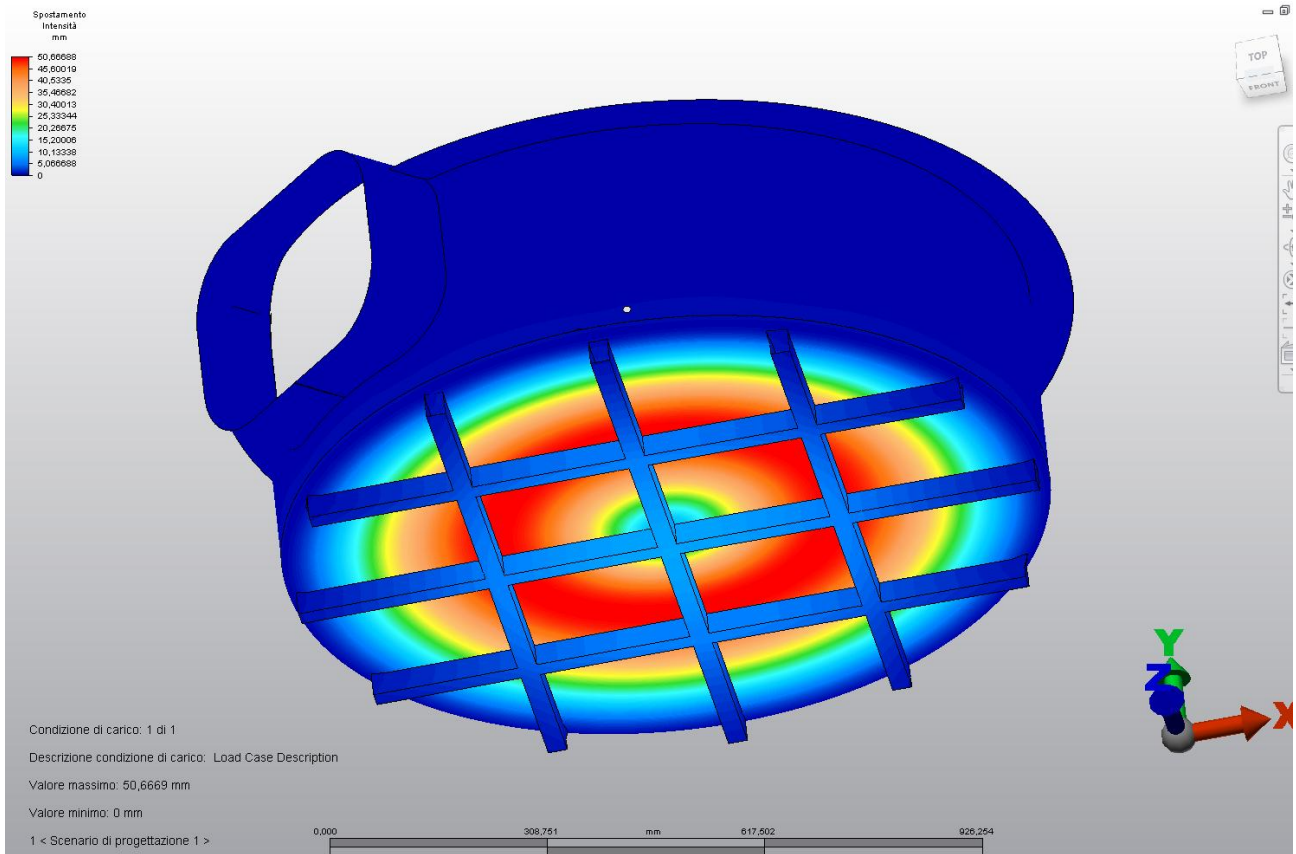


# Analysis with plates on middle planes



# Analysis with element bricks

