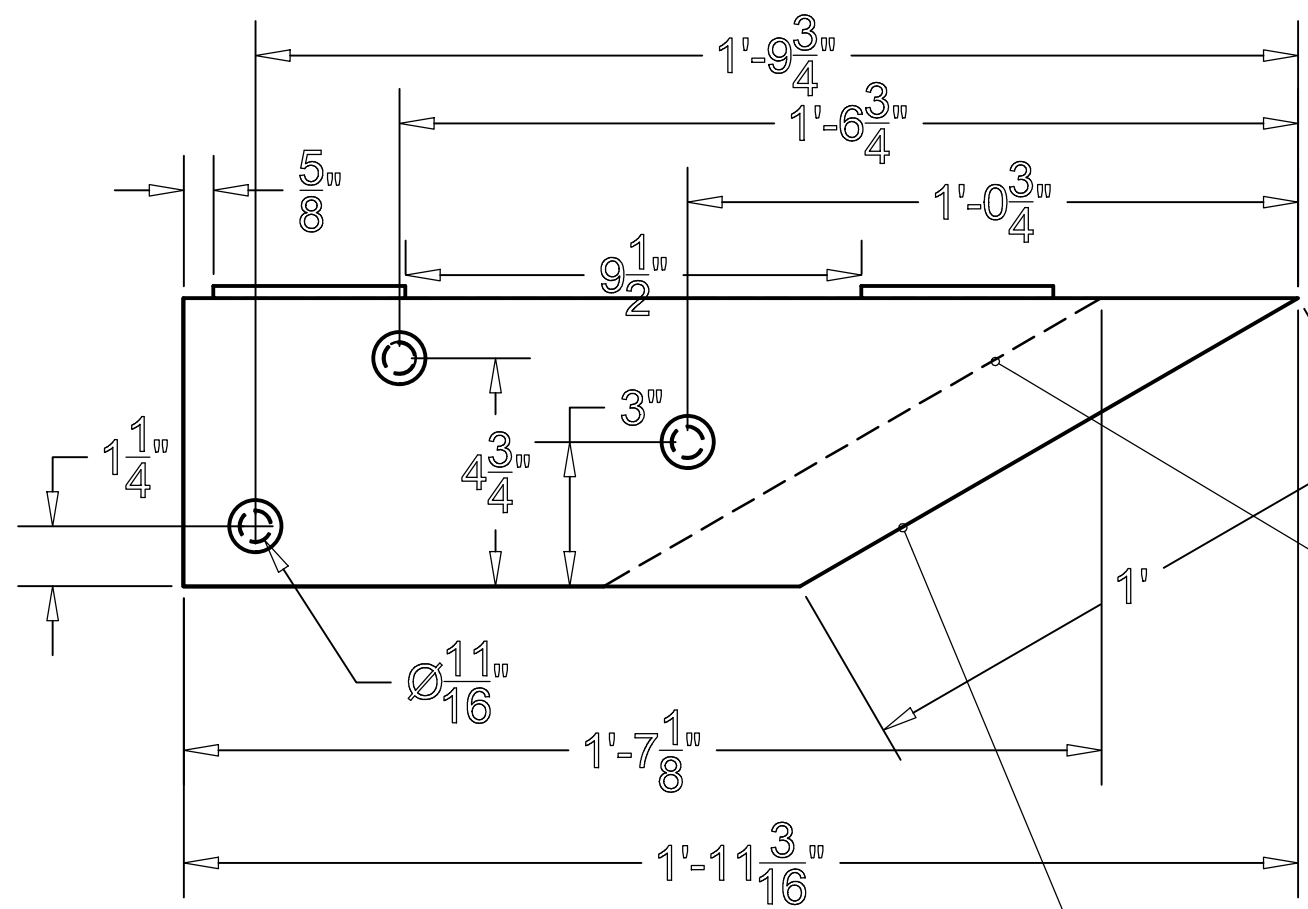
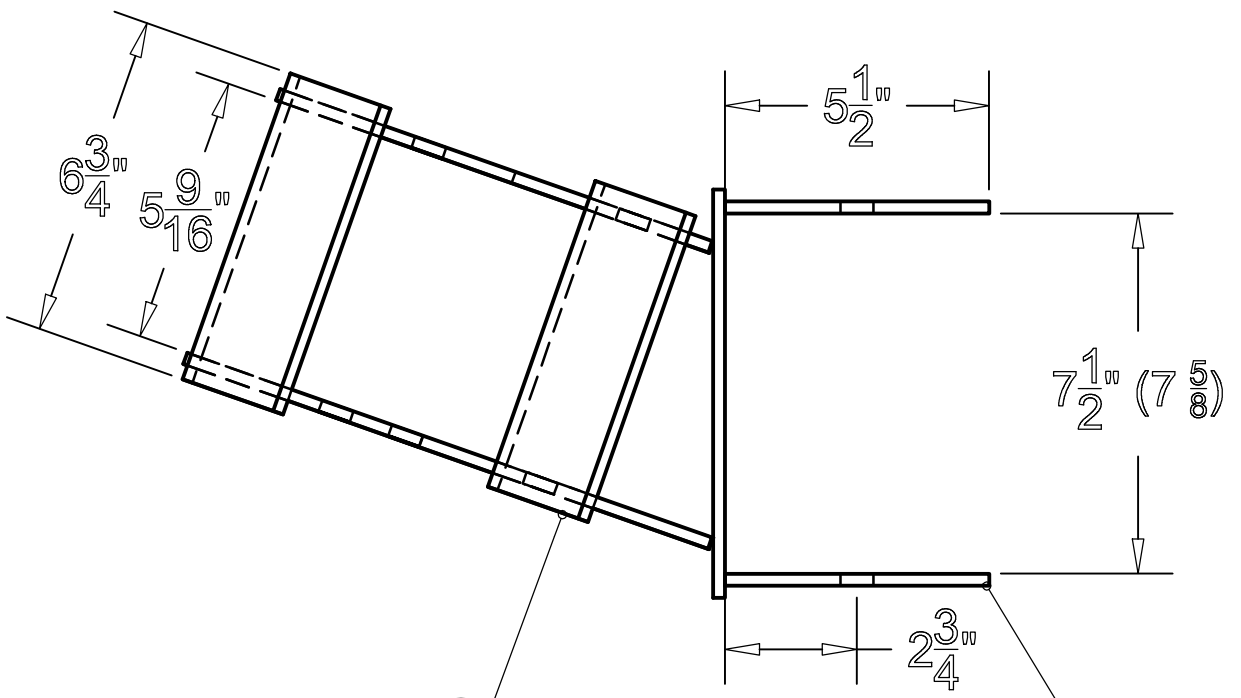
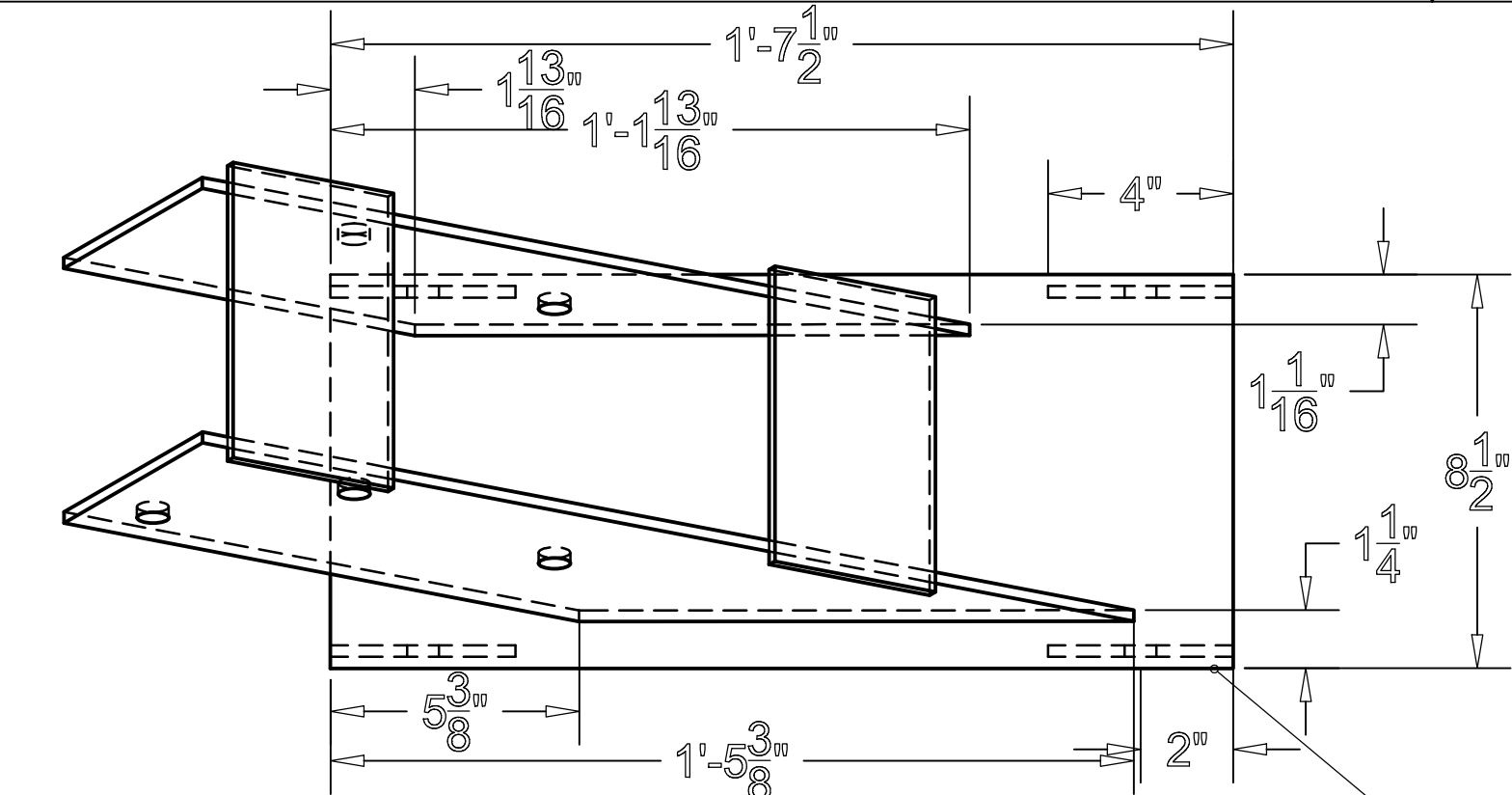


FILE NAME	WebAssemblyForBurningMan.dwg
CONTRACT NO	—
DRAWN	05/18/2013 Kevin
CHECK	
APPR.	
ISSUED	

Right Post Connection			
B	—	1.2	
SCALE	1'0"=1'0"	WEIGHT	SHEET



30

33

34

31

32

FILE NAME		WebAssemblyForBurningMan.dwg	
CONTRACT NO		-	
DRAWN		05/20/2013 Kevin	
CHECK			
APPR.			
ISSUED			
SIZE	FSCM NO	DWG NO	REV
B	-	1.3	
SCALE		WEIGHT	SHEET
1'0"=1'0"			

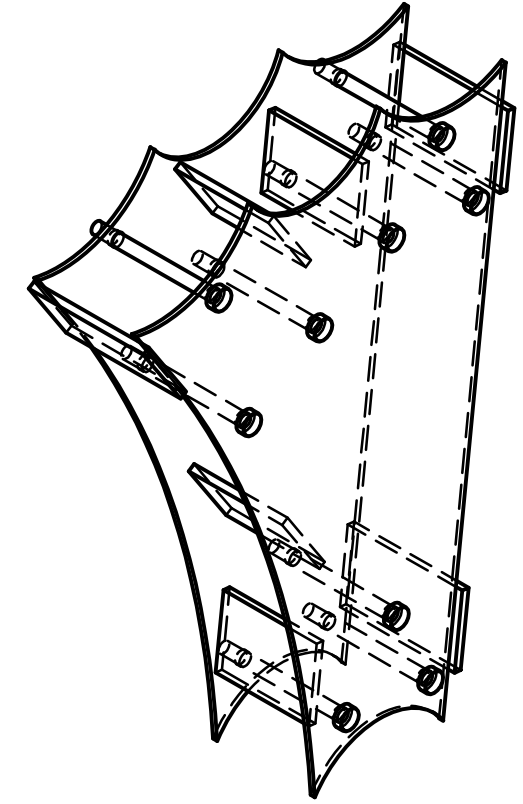
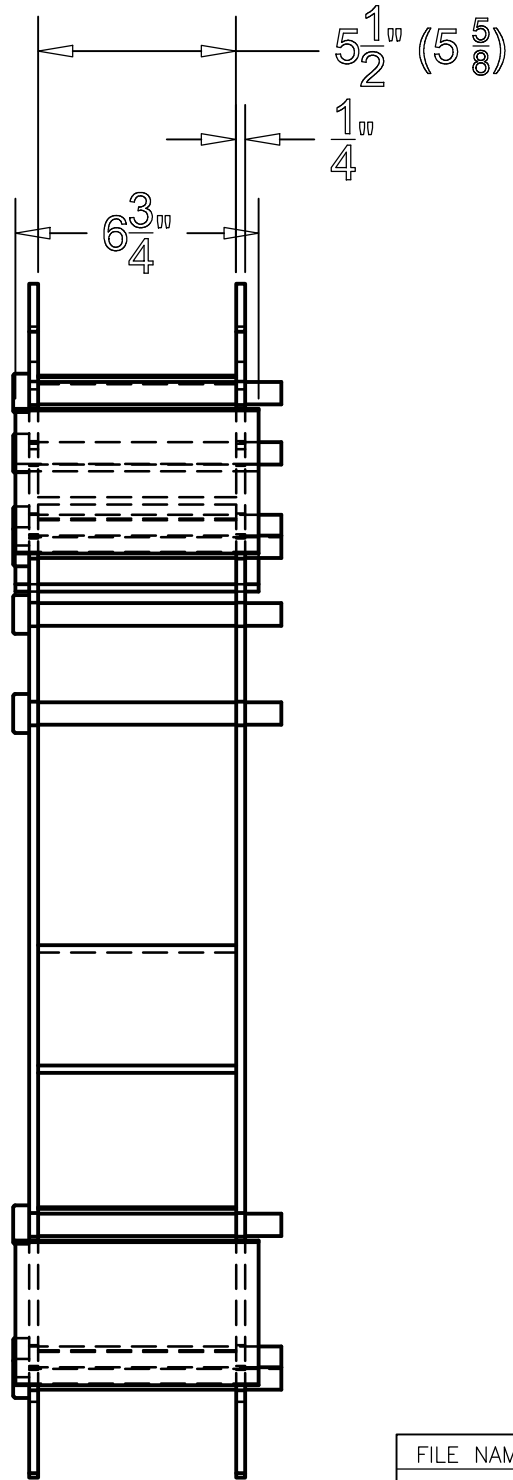
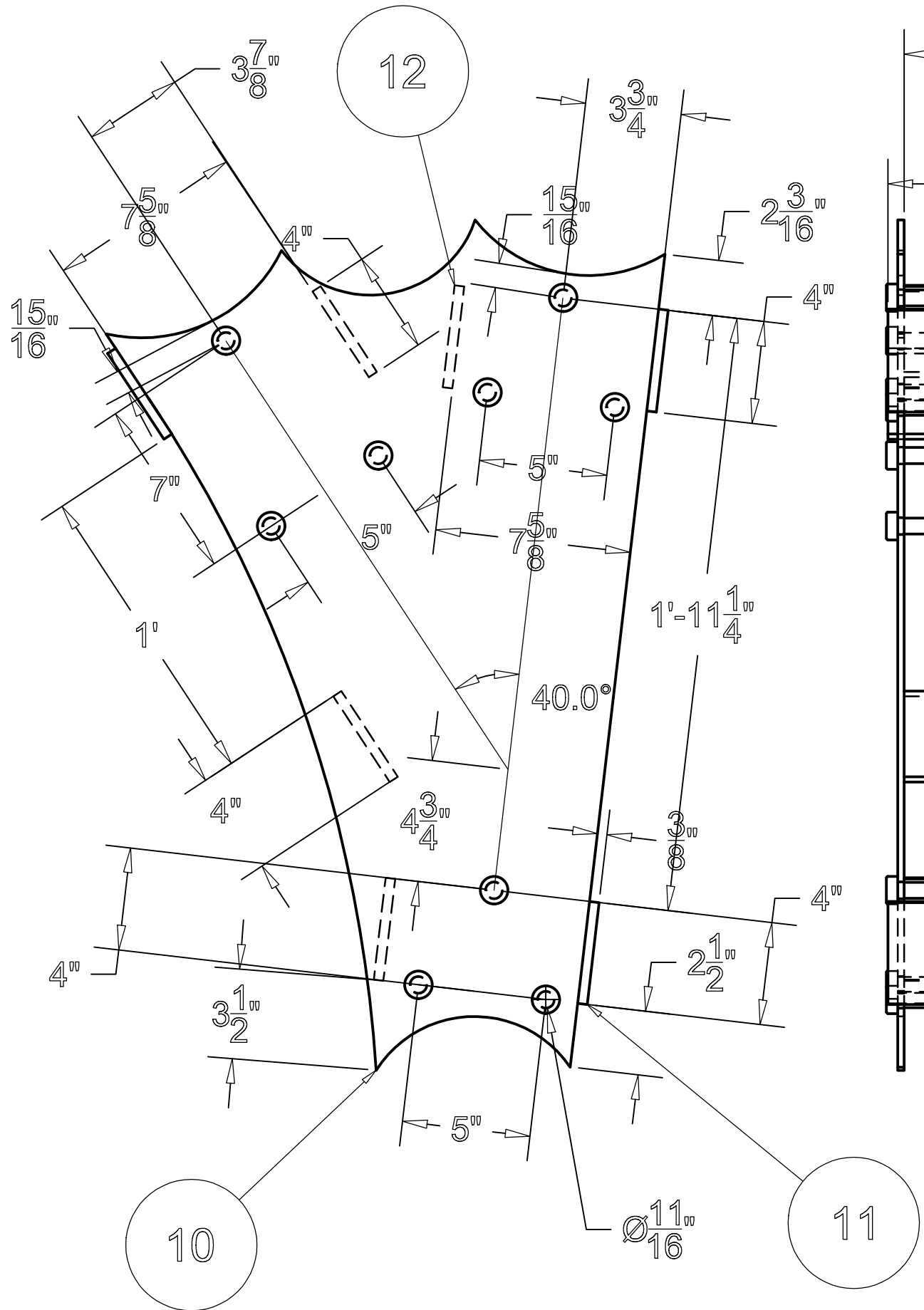
Spider Web
Left Post Connection

34	4	BOLTED PL	1/4 X 4 X 5 1/2	1.3
33	2	CROSS PL	1/4 X 4 X 6 3/4	1.3
32	1	FLANGE PL LARGE	PLASMA CUT	1.3
31	1	FLANGE PL SMALL	PLASMA CUT	1.3
30	1	BASE PL	PLASMA CUT	1.3
25	4	BOLTED PL	1/4 X 4 X 5 1/2	1.2
24	1	BASE PL	PLASMA CUT	1.2
23	2	CROSS PL	1/4 X 4 X 6 3/4	1.2
22	1	FLANGE PL LARGE	PLASMA CUT	1.2
21	1	FLANGE PL SMALL	PLASMA CUT	1.2
20	2	CROSS PL	1/4 X 4 X 6 3/4	1.2
12	4	INNER CROSS PL	3/8 X 4 X 5 11/16	1.1
11	3	CROSS PL OUTER	3/8 X 4 X 6 3/4	1.1
10	2	MAIN PL	PLASMA CUT	1.1
ITEM	QTY	NAME	MATERIAL	NOTE
Parts List				

FILE NAME	WebAssemblyForBurningMan.dwg			
CONTRACT NO	—			
DRAWN	05/20/2013 Kevin			
CHECK				
APPR.				
ISSUED				
SIZE	FSCM NO	DWG NO	REV	
B	—	100		
SCALE	1'0"=1'0"	WEIGHT	SHEET	

Spider Web

Bill of Materials for all drawings



FILE NAME	WebAssemblyForBurningMan.dwg		
CONTRACT NO	—		
DRAWN	05/15/2013 Kevin		
CHECK			
APPR.			
ISSUED			
SIZE	FSCM NO	DWG NO	REV
B	—	1.1	
SCALE	1'0"=1'0"	WEIGHT	SHEET

Beam Connector