

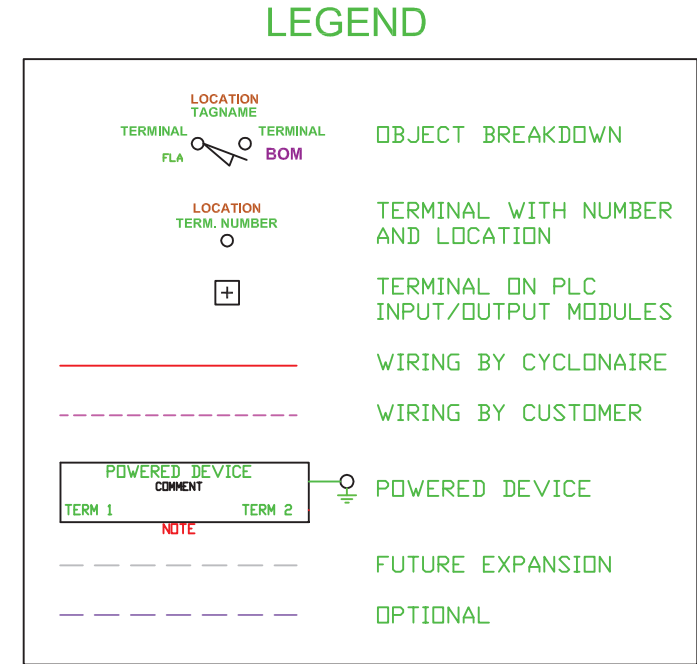
GOODYEAR

LIMA, PERU

SYSTEM OVERVIEW

TABLE OF CONTENTS	
SHEET	DESCRIPTION
1	TABLE OF CONTENTS
2	REFERENCE DRAWINGS
3	NETWORK OVERVIEW
4	ENCLOSURE LIST
5	PULLWIRE

PROJECT LISTING			
PROJECT #	DESCRIPTION	SHEETS	DESIGNER
14008	INITIAL DRAWINGS - BBU-111,, SCW-141, POD-211, DBC-300, BIN-311 THRU 318	ALL	TIB



REVISION	DESCRIPTION	SHEETS	DATE	DESIGNER
-	INITIAL DRAWINGS	ALL	6/3/2014	TIB
A	ADDED DSC-141, ADDED SCANNER GATEWAY TO NETWORK DIAGRAM	ALL	7/14/2014	TIB


<p style="font-size: small;">CORPORATION BOX 366 YORK, NEBR. 68467</p> <p style="font-size: x-small;">THIS DRAWING IS THE PROPERTY OF CYCLONAIRE CORPORATION SUBMITTED TO THE RECIPIENT IN CONFIDENCE AND SHALL NOT BE COPIED IN ANY MANNER NOR DISCLOSED TO ANY OUTSIDE PARTY WITHOUT THE WRITTEN CONSENT OF THIS COMPANY AND SHALL BE RETURNED ON REQUEST. ALL RIGHTS RESERVED.</p>	DR'N. BY TIB	SCALE 1/4	GOODYEAR LIMA, PERU SYSTEM OVERHEAD LEGEND		
	DATE 6-3-2014	PROJECT # 14008	DRAWING NO. 52-1-0467	SHEET 1 of 5	REV. A

CYCLONAIRE REFERENCE DRAWINGS

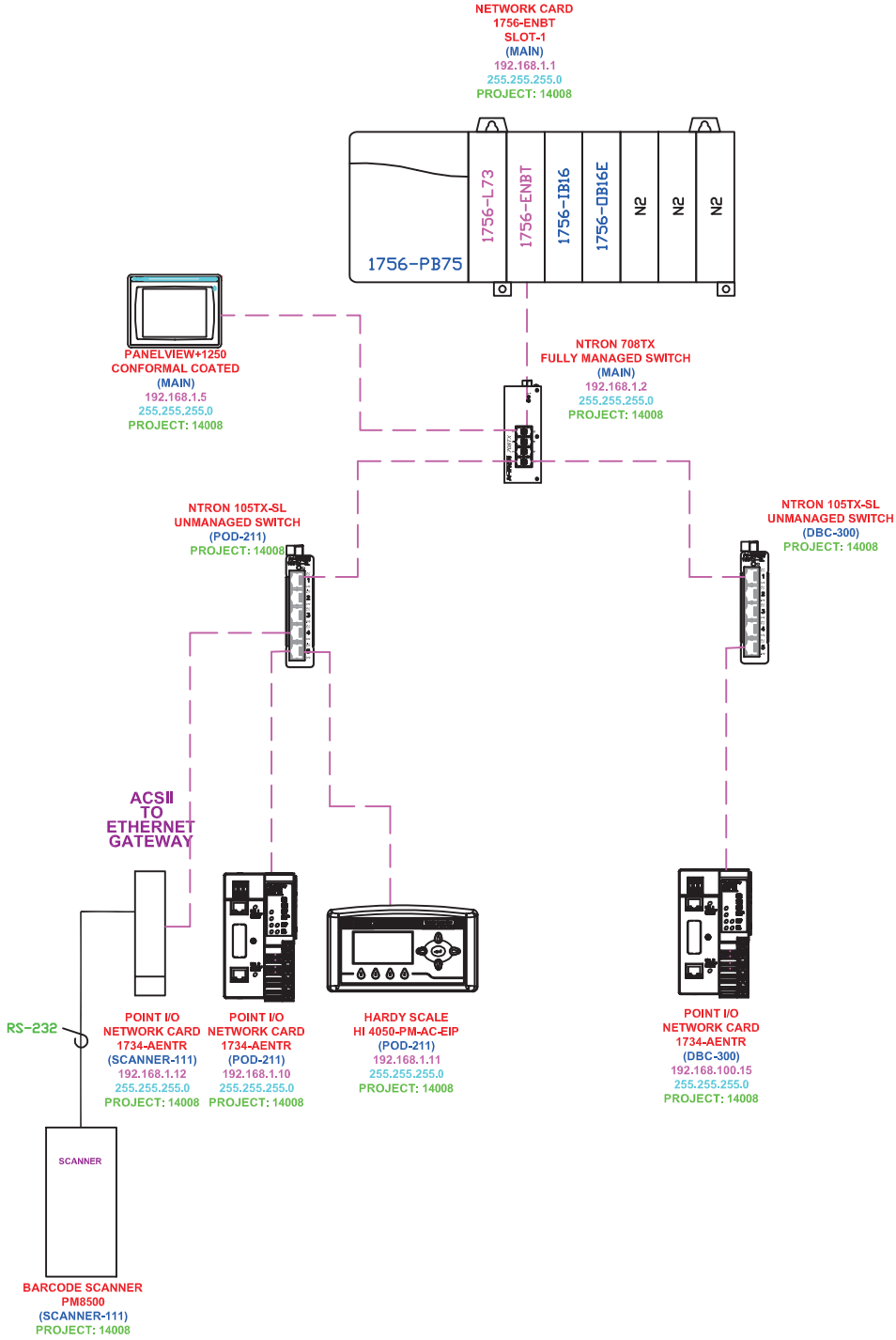
QTY	PRINT #	DESCRIPTION	PROJECT
1	52-1-0467	OVERHEAD	14008
1	52-1-0468	MAIN	14008
1	22-1-0893	BARCODE SCANNER	14008
1	22-1-0894	BBU OPERATOR CONTROLS - JUNCTION BOX & PUSHBUTTON BOX	14008
1	22-1-0546-3	3HP MOTOR CONTROL AND DISCONNECT	14008
1	22-1-0899-5	5HP MOTOR CONTROL AND DISCONNECT W PUSH BUTTON	14008
1	22-1-0552	DISCONNECT	14008
8	22-1-0544-04	FILTER TIMER BOARD	14008
4	PTD-11 WD02	DMN DIVERTER	14008


GOODYEAR CONTROL REFERENCE DRAWINGS

QTY	PRINT #	DESCRIPTION	PROJECT
4	22-1-0552	DISCONNECT	14008
4	22-1-0545	JUNCTION BOX	14008

		GOODYEAR LIMA, PERU SYSTEM OVERHEAD REFERENCE INDEX		
THIS DRAWING IS THE PROPERTY OF CYCLONAIRE CORPORATION SUBMITTED TO THE RECIPIENT IN CONFIDENCE AND SHALL NOT BE COPIED IN ANY MANNER NOR DISCLOSED TO ANY OUTSIDE PARTY WITHOUT THE WRITTEN CONSENT OF THIS COMPANY AND SHALL BE RETURNED ON REQUEST. ALL RIGHTS RESERVED.	DR'N. BY TIB	SCALE 1/4	DRAWING NO. 52-1-0467	SHEET 2 OF 5
DATE 6-3-2014	PROJECT # 14008	REV. A		

NETWORK TOPOLOGY



 <small>BOX 368 YORK, NEBR. 68467</small>		GOODYEAR LIMA, PERU SYSTEM OVERHEAD NETWORK TOPOLOGY		
		<small>THIS DRAWING IS THE PROPERTY OF CYCLONAIRE CORPORATION SUBMITTED TO THE RECIPIENT IN CONFIDENCE AND SHALL NOT BE COPIED IN ANY MANNER NOR DISCLOSED TO ANY OUTSIDE PARTY WITHOUT THE WRITTEN CONSENT OF THIS COMPANY AND SHALL BE RETURNED ON REQUEST. ALL RIGHTS RESERVED.</small>	DR'N. BY TIB	SCALE 1/4
DRAWING NO. 52-1-0467		SHEET 3 OF 5	REV. A	

CYCLONAIRE CONTROL

P&ID TAG	Equipment Description	Enclosure Name	Enclosure Description	Electrical Drawing	Project	Paint Color	Mech Dwg
	SYSTEM	MAN	CONTROL LOGIX PROCESSOR	52-1-0468	14008	RAL 5007	
POD-211	DPG- DENSE PHASE GRAVITY UNIT	POD-211	POINT I/O CONTROL ENCLOSURE	52-1-0469	14008	RAL 5007	
BBU-111	BULK BAG UNLOADER	BBU-111	JUNCTION BOX	22-1-0893	14008	RAL 5007	
		OIC-111	PUSHBUTTON ENCLOSURE				
		MS-131	MOTOR CONTROL AND DISCONNECT 3HP	22-1-0546-3	14008	RAL 5007	
SCW-141	DISCHARGE SCREW	MS-141	MOTOR CONTROL AND DISCONNECT 5HP	22-1-0899-5	14008	RAL 5007	
		DSC-141	MOTOR DISCONNECT	22-1-0552	14008	RAL 5007	
BIN-311-318	DAYBINS	DBC-300	DAYBIN POINT I/O CONTROL ENCLOSURE	52-1-0470	14008	RAL 5007	
BIN-311	STOARGE BIN	FTE-311	FILTER TIMER BOARD	22-1-0544-04	14008	RAL 5007	
BIN-312	STOARGE BIN	FTE-312	FILTER TIMER BOARD	22-1-0544-04	14008	RAL 5007	
BIN-313	STOARGE BIN	FTE-313	FILTER TIMER BOARD	22-1-0544-04	14008	RAL 5007	
BIN-314	STOARGE BIN	FTE-314	FILTER TIMER BOARD	22-1-0544-04	14008	RAL 5007	
BIN-315	STOARGE BIN	FTE-315	FILTER TIMER BOARD	22-1-0544-04	14008	RAL 5007	
BIN-316	STOARGE BIN	FTE-316	FILTER TIMER BOARD	22-1-0544-04	14008	RAL 5007	
BIN-317	STOARGE BIN	FTE-317	FILTER TIMER BOARD	22-1-0544-04	14008	RAL 5007	
BIN-318	STOARGE BIN	FTE-318	FILTER TIMER BOARD	22-1-0544-04	14008	RAL 5007	
DV-221	DMN DIVERTER	DV-221	DMN DIVERTER	PTD-11 WD02	14008		
DV-222	DMN DIVERTER	DV-222	DMN DIVERTER	PTD-11 WD03	14008		
DV-223	DMN DIVERTER	DV-223	DMN DIVERTER	PTD-11 WD04	14008		
DV-224	DMN DIVERTER	DV-224	DMN DIVERTER	PTD-11 WD05	14008		

GOODYEAR CONTROL

P&ID TAG	Equipment Description	Enclosure Name	Enclosure Description	Electrical Drawing	Project	Paint Color	Mech Dwg
MTR-315	Daybin 315	DSC-315	Disconnect with Jog Push Button for MTR-315	22-1-0552	14008	RAL 5007	
BIN-315		JB-315	Junction Box with terminals for all devices on bottom of BIN-315	22-1-0545	14008	RAL 5007	
MTR-316	Daybin 316	DSC-316	Disconnect with Jog Push Button for MTR-316	22-1-0552	14008	RAL 5007	
BIN-316		JB-316	Junction Box with terminals for all devices on bottom of BIN-316	22-1-0545	14008	RAL 5007	
MTR-317	Daybin 317	DSC-317	Disconnect with Jog Push Button for MTR-317	22-1-0552	14008	RAL 5007	
BIN-317		JB-317	Junction Box with terminals for all devices on bottom of BIN-317	22-1-0545	14008	RAL 5007	
MTR-318	Daybin 318	DSC-318	Disconnect with Jog Push Button for MTR-318	22-1-0552	14008	RAL 5007	
BIN-318		JB-318	Junction Box with terminals for all devices on bottom of BIN-318	22-1-0545	14008	RAL 5007	

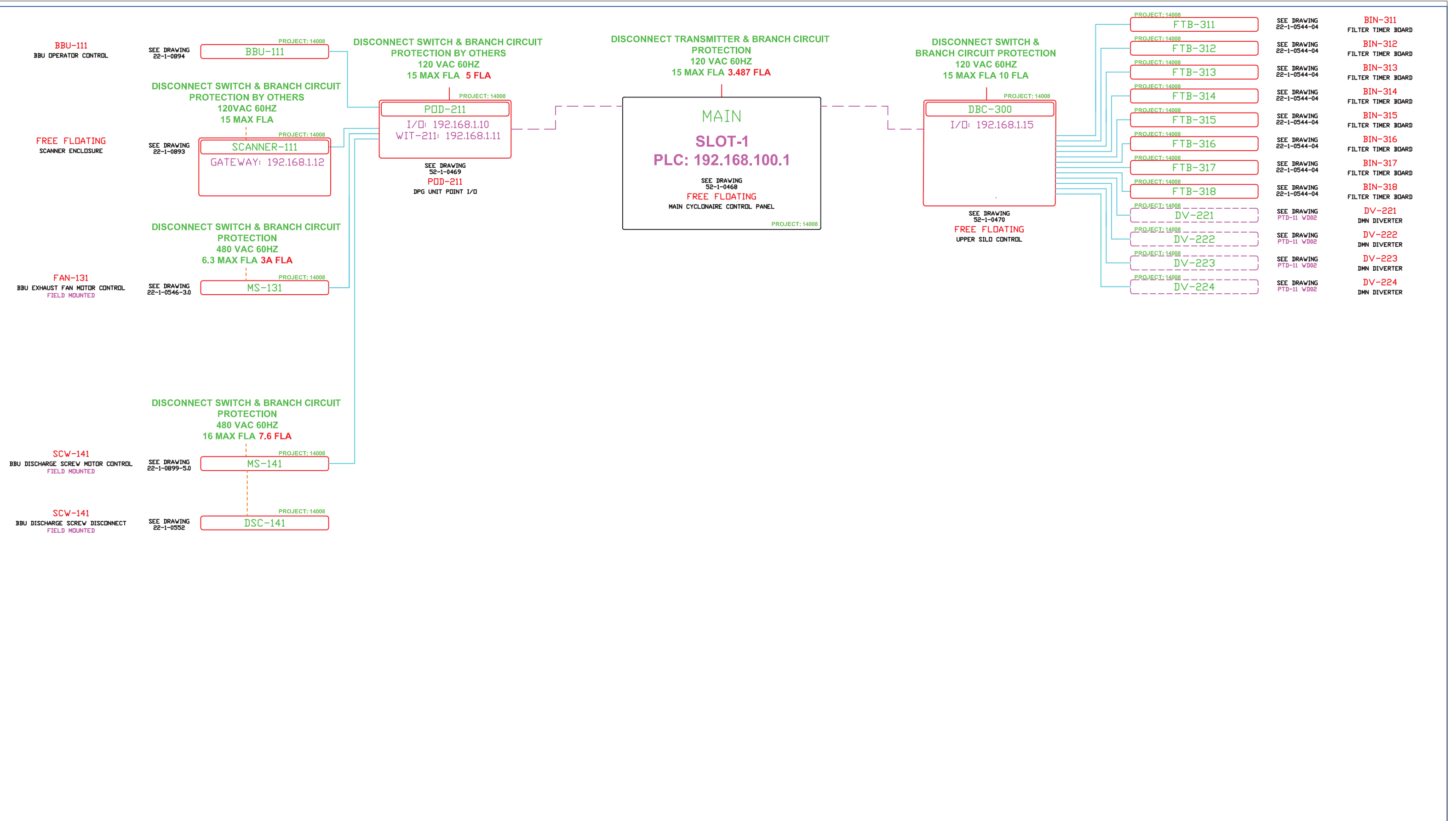
cyclonaire
CORPORATION

BOX 366 YORK, NEBR. 68467

THIS DRAWING IS THE PROPERTY OF CYCLONAIRE CORPORATION SUBMITTED TO THE RESPONDENT IN CONFIDENCE AND SHALL NOT BE COPIED IN ANY MANNER NOR DISCLOSED TO ANY OUTSIDE PARTY WITHOUT THE WRITTEN CONSENT OF THIS COMPANY AND SHALL BE RETURNED ON REQUEST. ALL RIGHTS RESERVED.	DR'N. BY TIB	SCALE 1/4
DATE 6-3-2014	PROJECT # 14008	

GOODYEAR
LIMA, PERU
SYSTEM OVERHEAD
ENCLOSURE LIST

DRAWING NO.	SHEET	REV.
52-1-0467	4 OF 5	A



LOCATION DESCRIPTION	DRAWING REFERENCE	WIRING
ENCLOSURES		--- FUTURE
---	FUTURE	--- 220VAC POWER
---	IN ASSOCIATED PRINT	--- 460VAC POWER
---	IN DIFFERENT PRINT	--- 120VAC POWER/CONTROL SIGNAL
---	BY OTHERS	--- 24VDC CONTROL SIGNAL
		--- 4-20mA SHIELDED CABLE
		--- ETHERNET CABLE
		--- BELDEN 8777 SHIELDED CABLE

cyclonaire
CORPORATION
BOX 366 YORK, NEBR. 68467

THIS DRAWING IS THE PROPERTY OF CYCLONAIRE CORPORATION SUBMITTED TO THE RECIPIENT IN CONFIDENCE AND SHALL NOT BE COPIED IN ANY MANNER NOR DISCLOSED TO ANY OUTSIDE PARTY WITHOUT THE WRITTEN CONSENT OF THIS COMPANY AND SHALL BE RETURNED ON REQUEST. ALL RIGHTS RESERVED.

DR'N. BY TIB	SCALE 1/4
DATE 6-3-2014	PROJECT # 14008

GOODYEAR LIMA, PERU SYSTEM OVERHEAD PULLWIRE		
DRAWING NO.	SHEET	REV.
52-1-0467	5 of 5	A

MAIN CONTROL PANEL

L71 & PV +1250
STACKLIGHT & HORN
 CONFORMAL COATED HMI

LEGEND

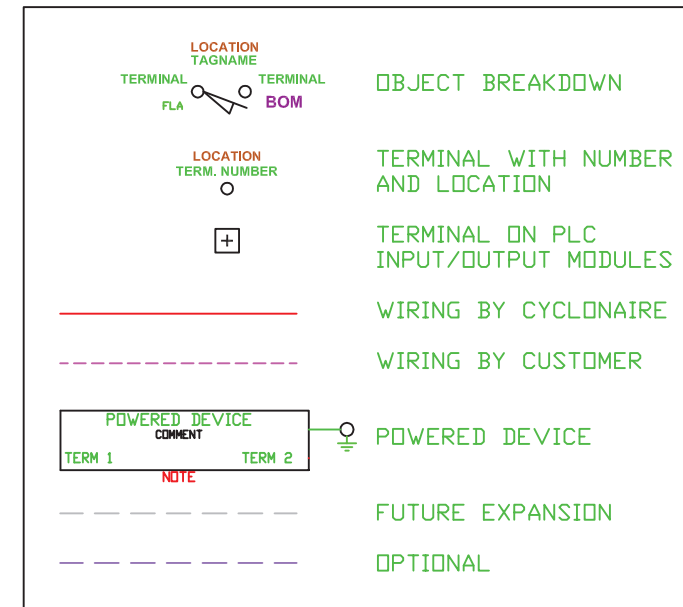
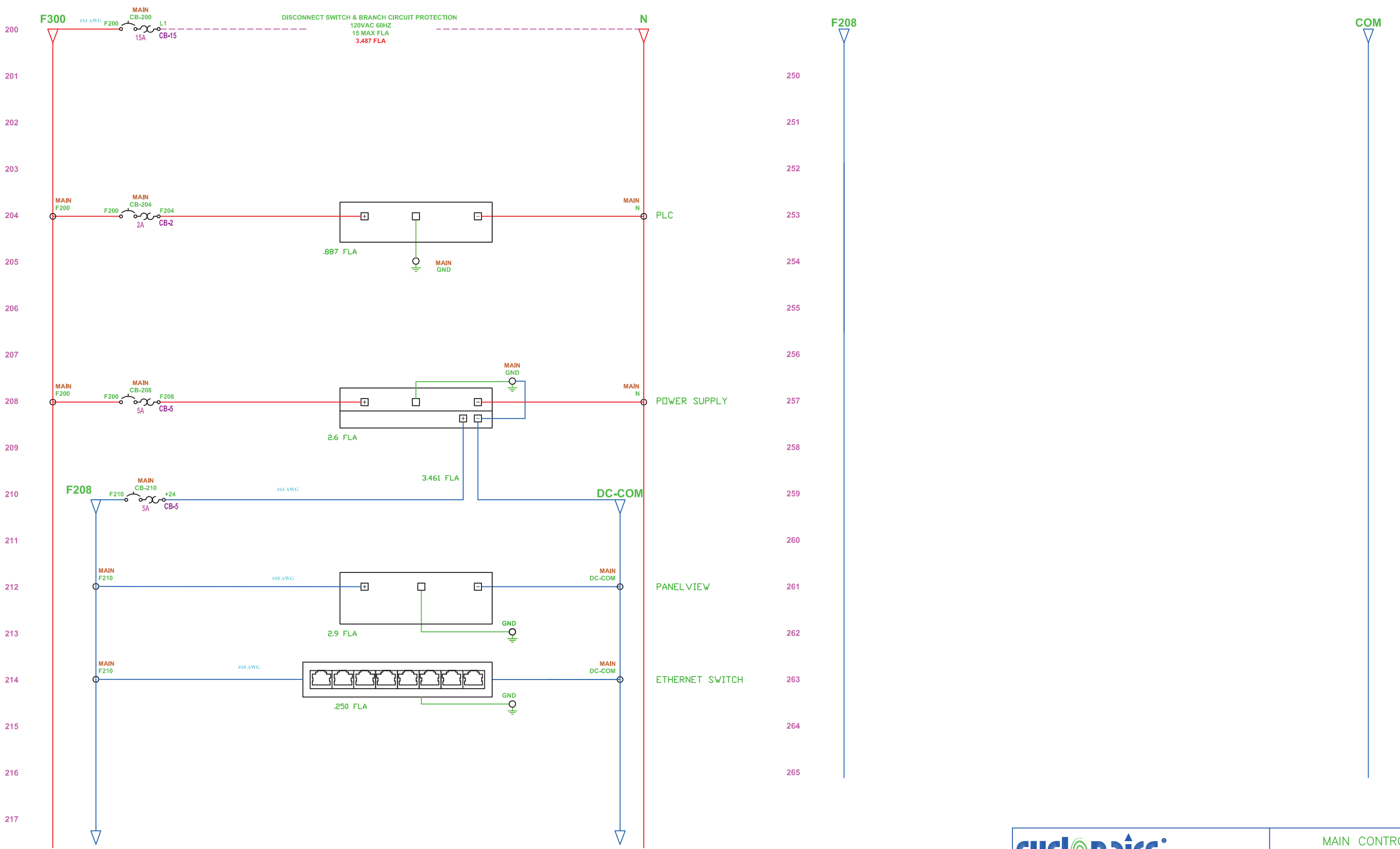



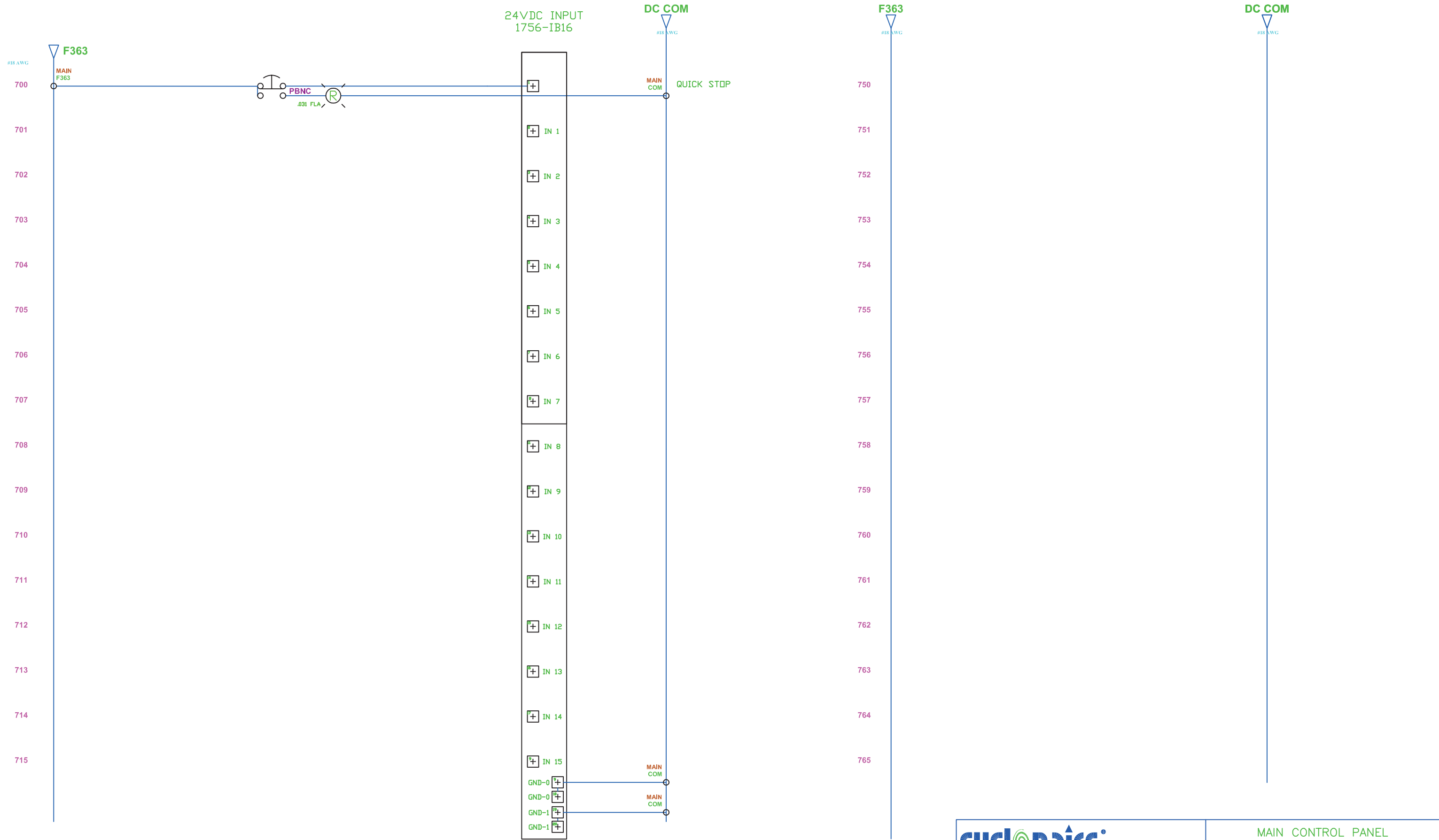
TABLE OF CONTENTS	
SHEET	DESCRIPTION
1	TABLE OF CONTENTS
2	WIRE DIAGRAM
3	INPUTS
4	OUTPUTS
5	ENCLOSURE

REVISION	DESCRIPTION	SHEETS	DATE	DESIGNER
-	INITIAL DRAWINGS		6/2/2014	TIB


CORPORATION BOX 366 YORK, NEBR. 68467	MAIN CONTROL PANEL L71, PANELVIEW +1250		
	DR'N. BY TIB	SCALE 1/4	DRAWING NO. 52-1-0468
THIS DRAWING IS THE PROPERTY OF CYCLONAIRE CORPORATION SUBMITTED TO THE RECIPIENT IN CONFIDENCE AND SHALL NOT BE COPIED IN ANY MANNER NOR DISCLOSED TO ANY OUTSIDE PARTY WITHOUT THE WRITTEN CONSENT OF THIS COMPANY AND SHALL BE RETURNED ON REQUEST. ALL RIGHTS RESERVED.	DATE 6-2-2014	PROJECT # 14008	REV. -

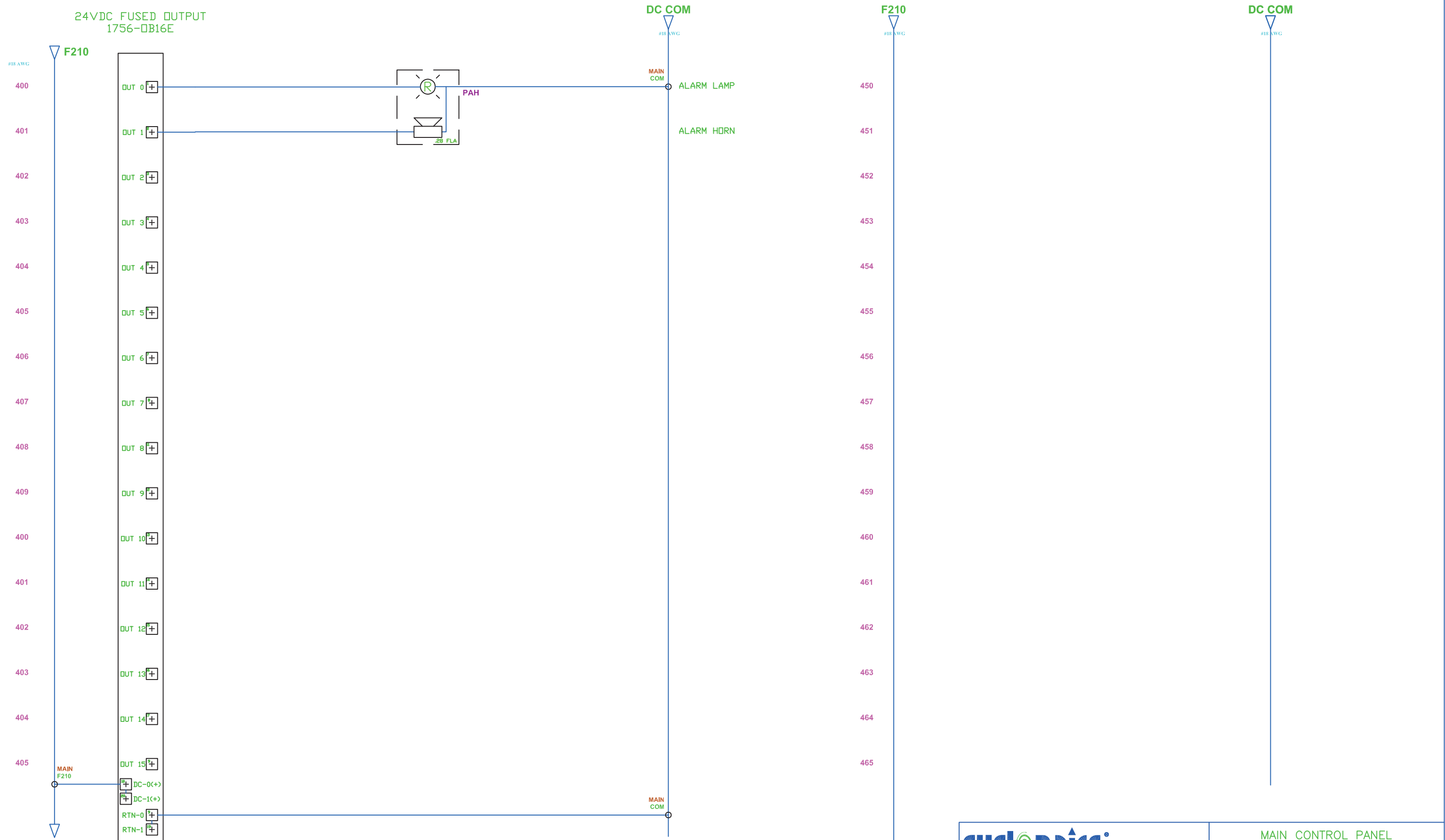


		MAIN CONTROL PANEL L71, PANELVIEW +1250			
		BOX 366 YORK, NEBR. 68467			
THIS DRAWING IS THE PROPERTY OF CYCLONAIRE CORPORATION SUBMITTED TO THE RECIPIENT IN CONFIDENCE AND SHALL NOT BE COPIED IN ANY MANNER NOR DISCLOSED TO ANY OUTSIDE PARTY WITHOUT THE WRITTEN CONSENT OF THIS COMPANY AND SHALL BE RETURNED ON REQUEST. ALL RIGHTS RESERVED.	DR'N. BY TIB	SCALE 1/4	DRAWING NO. 52-1-0468	SHEET 2 OF 5	REV. -
	DATE 6-2-2014	PROJECT # 14008			




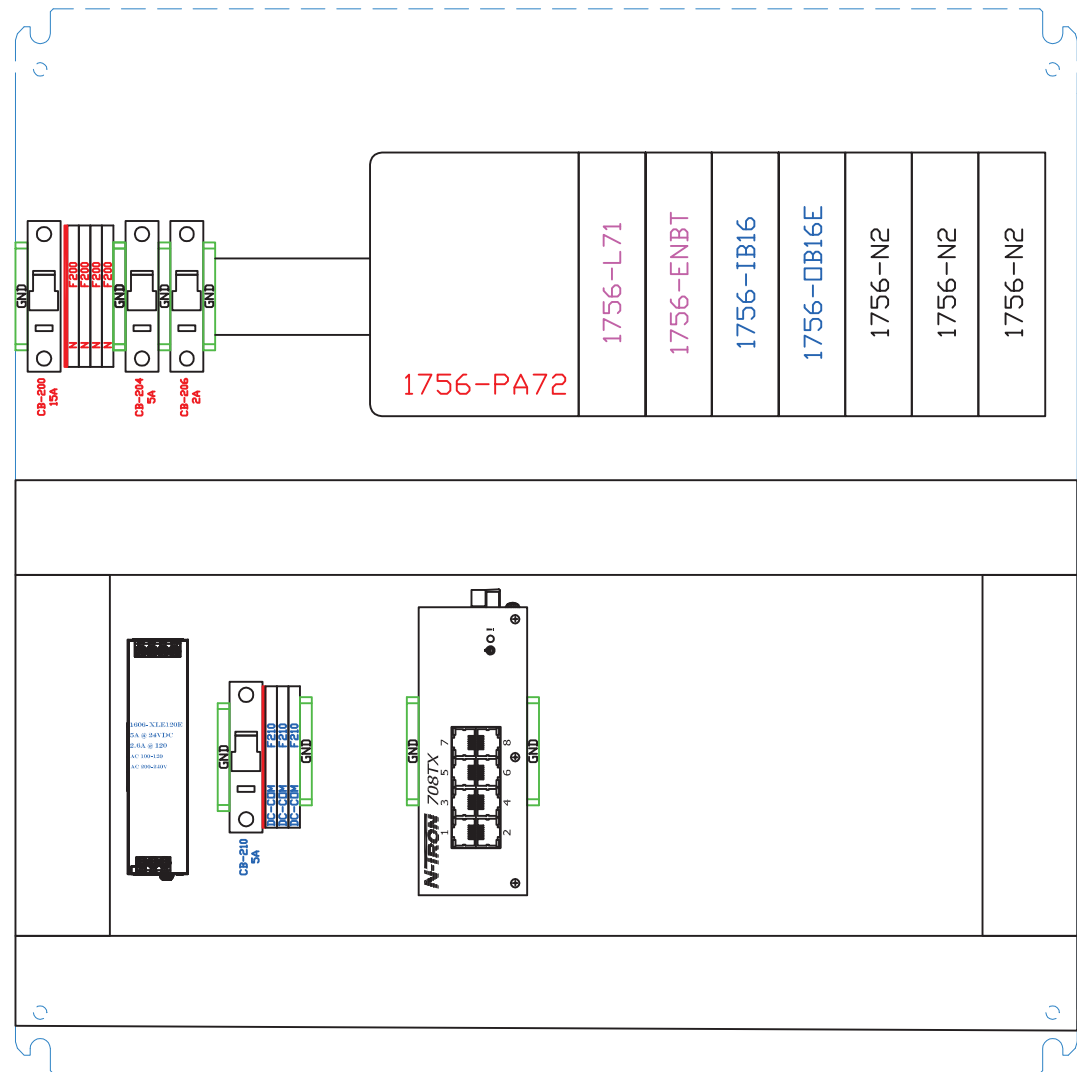
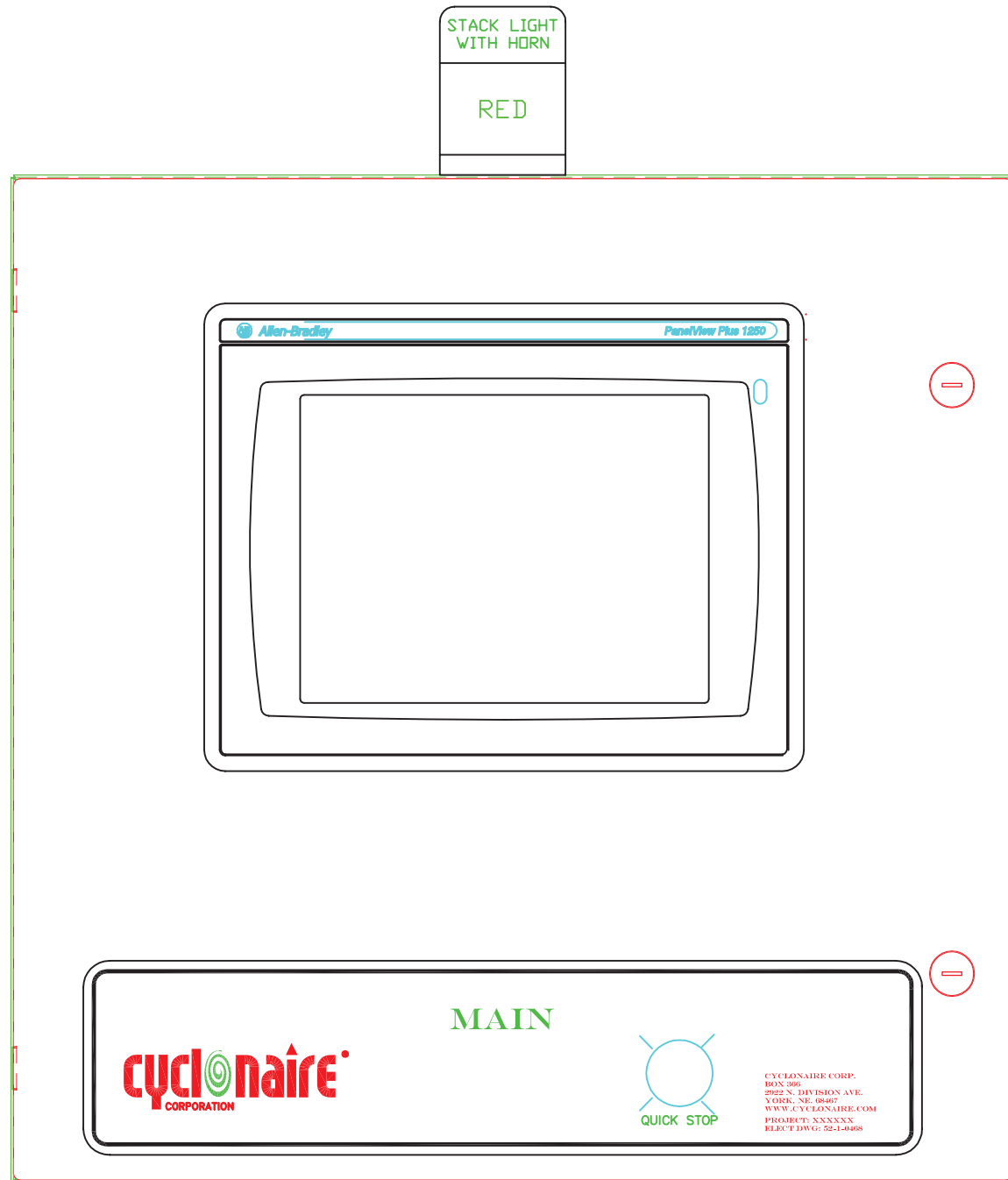
.031 FLA

 <small>BOX 368 YORK, NEBR. 68467</small>		MAIN CONTROL PANEL L71, PANELVIEW +1250				
		<small>THIS DRAWING IS THE PROPERTY OF CYCLONAIRE CORPORATION SUBMITTED TO THE RECIPIENT IN CONFIDENCE AND SHALL NOT BE COPIED IN ANY MANNER NOR DISCLOSED TO ANY OUTSIDE PARTY WITHOUT THE WRITTEN CONSENT OF THIS COMPANY AND SHALL BE RETURNED ON REQUEST. ALL RIGHTS RESERVED.</small>		<small>DR'N. BY</small> TIB	<small>SCALE</small> 1/4	<small>DRAWING NO.</small> 52-1-0468
<small>DATE</small> 6-2-2014		<small>PROJECT #</small> 14008				



.28 FLA

		MAIN CONTROL PANEL L71, PANELVIEW +1250		
<small>THIS DRAWING IS THE PROPERTY OF CYCLONAIRE CORPORATION. SUBMITTED TO THE RECIPIENT IN CONFIDENCE AND SHALL NOT BE COPIED IN ANY MANNER NOR DISCLOSED TO ANY OUTSIDE PARTY WITHOUT THE WRITTEN CONSENT OF THIS COMPANY AND SHALL BE RETURNED ON REQUEST. ALL RIGHTS RESERVED.</small>		DR'N. BY TIB	SCALE 1/4	DRAWING NO. 52-1-0468
		DATE 6-2-2014	PROJECT # 14008	SHEET 4 OF 5
				REV. -



BILL OF MATERIALS

Descriptor	Part Number	Qty	Description	Manufacturer	Manufacturer PN
ENC	904-10201	1	24 x 24 X 12 ENCLOSURE	HOFFMAN	CSD242412
BP	904-10193	1	24 x 24 BACKPANEL	HOFFMAN	CP2424
PA72	904-06548	1	PLC POWER SUPPLY 85-265 VAC	ALLEN BRADLEY	1756-PA72
A7	904-06287	1	7 SLOT RACK	ALLEN BRADLEY	1756-A7
PLC-71	904-06692	1	PLC	ALLEN BRADLEY	1756-L71
ENBT	904-06372	1	ETHERNET MODULE	ALLEN BRADLEY	1756-ENBT
PLC-N2	904-06383	1	PLC FILLER MODULE	ALLEN BRADLEY	1756-N2
IB16	904-06458	1	PLC FILLER MODULE	ALLEN BRADLEY	1756-IB16
OB16E	904-06381	1	16 POINT FUSED OUTPUT CARD	ALLEN BRADLEY	1756-OB16E
TBNH	904-06381	1	20PIN CONTROL LOGIX TERMINAL	ALLEN BRADLEY	1756-TBNH
PS	904-02403B	1	5A POWER SUPPLY	ALLEN BRADLEY	1606-XLE120E
PV	904-06726	1	PANELVIEW PLUS 1250 NEMA 4X (OUTDOOR)	ALLEN BRADLEY	2711P-RDT12CK
PV-LOG	904-06649	1	128 MB PANELVIEW LOGIC MODULE	ALLEN BRADLEY	2711P-RP8D
ENET	904-06727	1	FULLY MANAGED 8 PORT ETHERNET SWITCH	N-TRON	708TX
CB-15	904-02382A	1	15A CIRCUIT BREAKER	ALLEN BRADLEY	1492-SP1B150
CB-5	904-02429A	2	5A CIRCUIT BREAKER	ALLEN BRADLEY	1492-SP1B050
CB-2	904-02427A	1	2A CIRCUIT BREAKER	ALLEN BRADLEY	1492-SP1B020
GTB	904-04410	8	GROUND TERMINAL BLOCK	AUTOMATION DIRECT	DN-G10
TB2	904-04845	7	TERMINAL BLOCK 2 CIRCUIT DOUBLE LEVEL	AUTOMATION DIRECT	DN-D10-A
TB2C	904-04846	2	END COVER FOR TERMINAL BLOCK 2 CIRCUIT	AUTOMATION DIRECT	DN-DEC10
PAH	904-02107B	1	RED- STACK LAMP W/ HORN	ALLEN BRADLEY	855T-B24DD4
BASE	904-02108B	1	STACK LAMP BASE	ALLEN BRADLEY	855T-BCB
ASTP	904-02392B	1	ILLUMINATED QUICK STOP PUSH BUTTON	ALLEN BRADLEY	800FP-LMP46
LMP	904-02393B	1	24VDC LED LAMP MODULE	ALLEN BRADLEY	800F-MN3W
NO	904-02631A	1	NO CONTACT	ALLEN BRADLEY	800F-X10
NC	904-02632A	1	NC CONTACT	ALLEN BRADLEY	800F-MX01

cyclonaire
CORPORATION
BOX 366 YORK, NEBR. 68467

THIS DRAWING IS THE PROPERTY OF CYCLONAIRE CORPORATION SUBMITTED TO THE RECIPIENT IN CONFIDENCE AND SHALL NOT BE COPIED IN ANY MANNER NOR DISCLOSED TO ANY OUTSIDE PARTY WITHOUT THE WRITTEN CONSENT OF THIS COMPANY AND SHALL BE RETURNED ON REQUEST. ALL RIGHTS RESERVED.

DR'N. BY
TIB

SCALE
1/4

DATE
6-2-2014

PROJECT #
14008

**MAIN CONTROL PANEL
L71, PANELVIEW +1250**

DRAWING NO.	SHEET	REV.
52-1-0468	5 OF 5	-

DPG UNIT

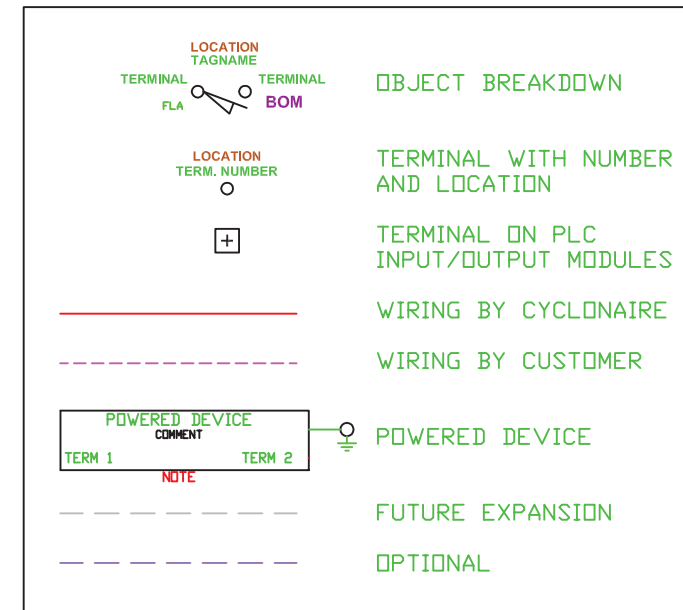
POD-211

REMOTE POINT I/O

TABLE OF CONTENTS	
SHEET	DESCRIPTION
1	TABLE OF CONTENTS
2	NETWORK LAYOUT
3	120V POWER DISTRIBUTION
4	24VDC
5-6	ANALOG I/O
7-17	DIGITAL I/O
18-21	SPARE SHEETS
22-24	MAIN ENCLOSURE
25	PULL WIRE

CYCLONAIRE CONTROL						
P&ID TAG	Equipment Description	Enclosure Name	Enclosure Description	Electrical Drawing	PROJECT	Paint Color
POD-211	DPG- DENSE PHASE GRAVITY UNIT	POD-211	POINT I/O CONTROL ENCLOSURE	52-1-0469	14008	
BBU-111	BULK BAG UNLOADER	BBU-111	JUNCTION BOX	22-1-0894	14008	
		OIC-111	PUSH BUTTON BOX			
		SCANNER-111	BARCODE SCANNER	22-1-0893	14008	
SCW-141	DISCHARGE SCREW	MS-131	MOTOR CONTROL AND DISCONNECT 3HP	22-1-0546-3	14008	
		MS-141	MOTOR CONTROL AND DISCONNECT 5HP W JOG	22-1-0899-5	14008	
		DCS-141	MOTOR CONTROL AND DISCONNECT W/ JOG	22-1-0552	14008	

LEGEND



REFERENCE DRAWINGS		
QTY	PRINT #	DESCRIPTION
1	52-1-0467	OVERHEAD
1	22-1-0893	BARCODE SCANNER
1	22-1-0894	BBU JB/OIC
1	22-1-0546-3	3HP MOTOR CONTROL AND DISCONNECT
1	22-1-0899-5	5HP MOTOR CONTROL AND DISCONNECT
1	22-1-0552	DISCONNECT

REVISION	DESCRIPTION	SHEETS	DATE	DESIGNER
-	INITIAL DRAWINGS		6/2/2014	TIB
A	ADD DSC-141 FIXED TYPOS	ALL	7/14/2014	TIB

BOX 366 YORK, NEBR. 68467

THIS DRAWING IS THE PROPERTY OF CYCLONAIRE CORPORATION SUBMITTED TO THE RECIPIENT IN CONFIDENCE AND SHALL NOT BE COPIED IN ANY MANNER NOR DISCLOSED TO ANY OUTSIDE PARTY WITHOUT THE WRITTEN CONSENT OF THIS COMPANY AND SHALL BE RETURNED ON REQUEST. ALL RIGHTS RESERVED.

DR'N. BY TIB	SCALE 1/4
DATE 6-2-2014	PROJECT # 14008

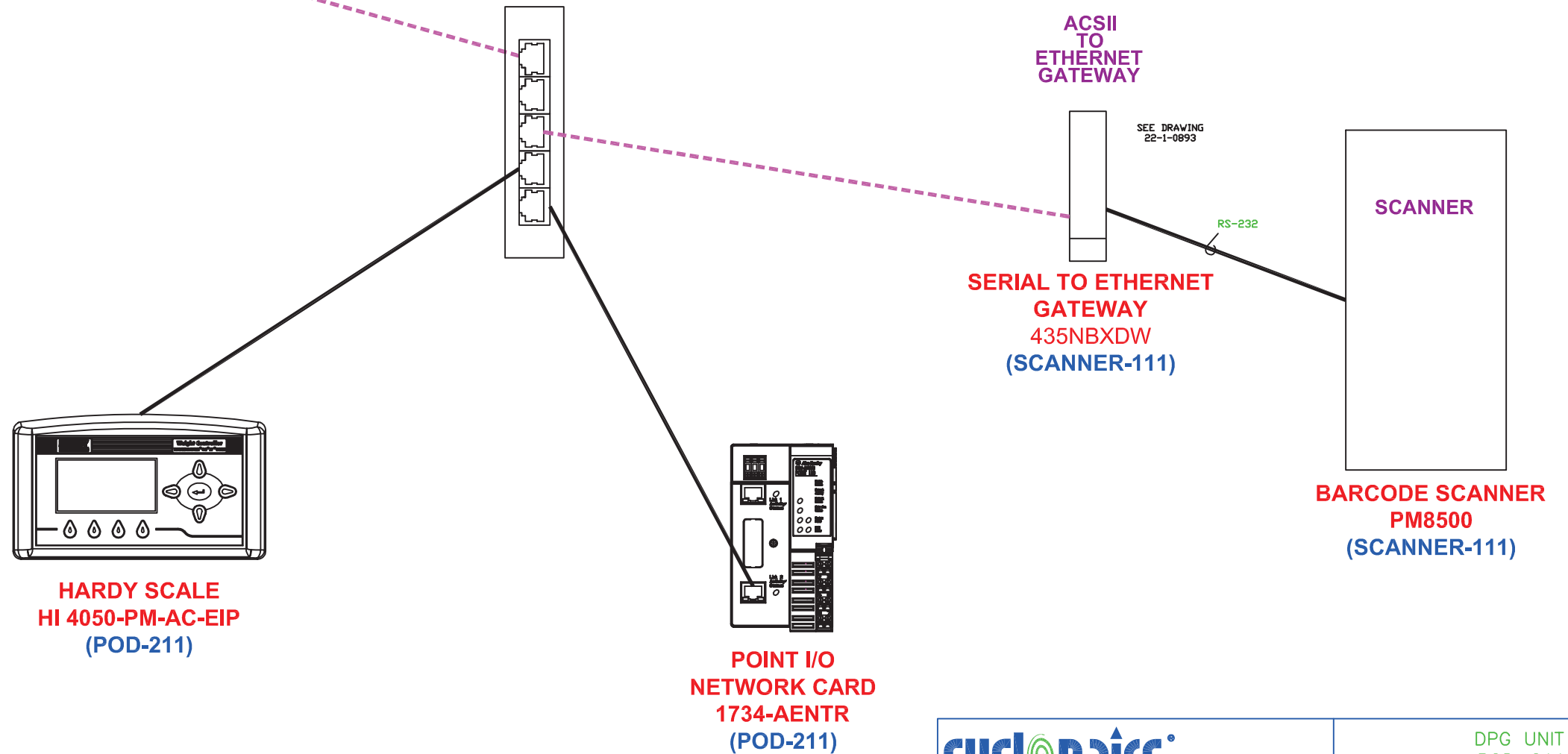
DPG UNIT
POD-211

NEMA 4

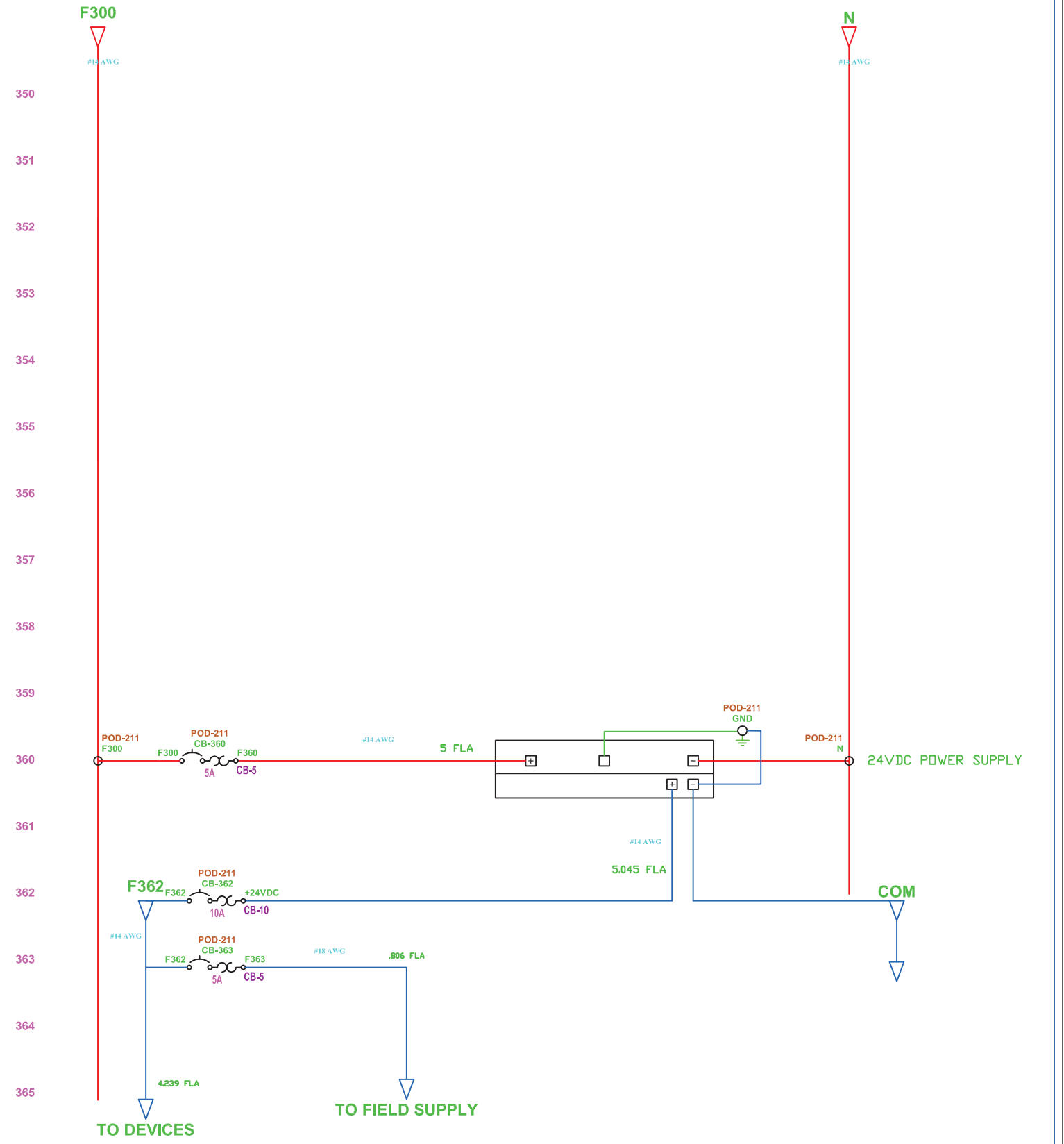
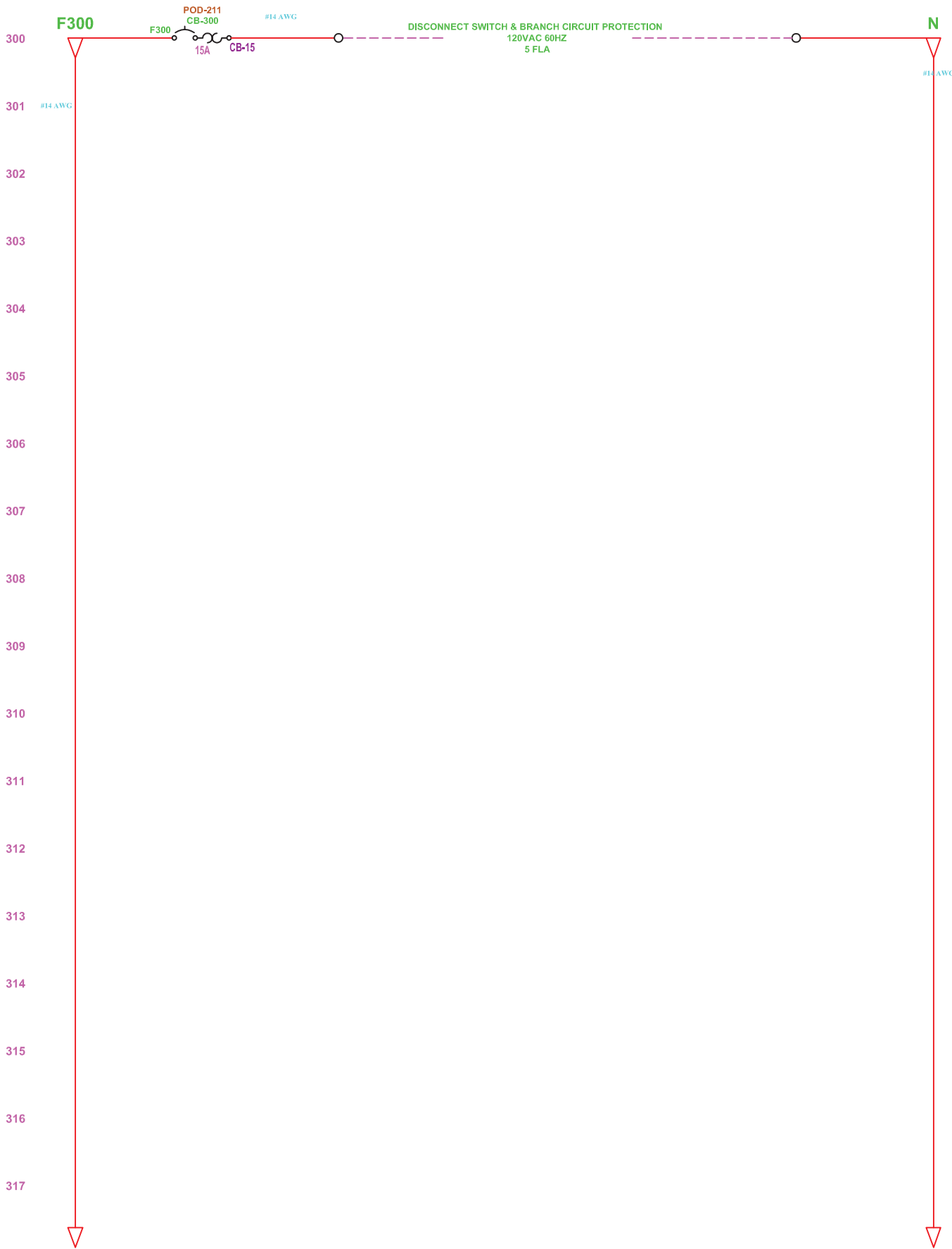
DRAWING NO.	SHEET	REV.
52-1-0469	1 OF 25	A

ETHERNET NETWORK LAYOUT

TO INDUSTRIAL NETWORK
SEE DRAWING
52-1-0467

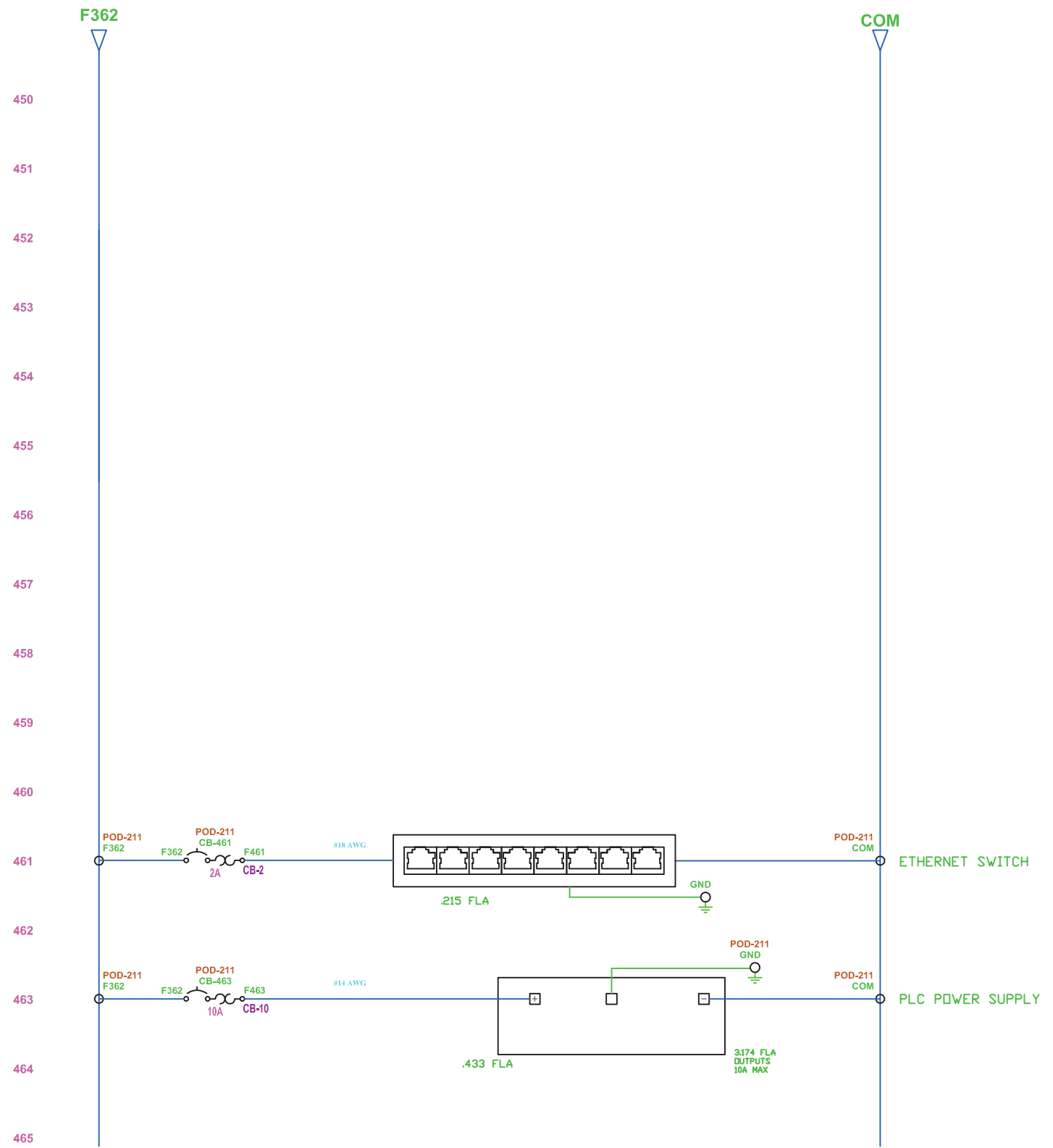
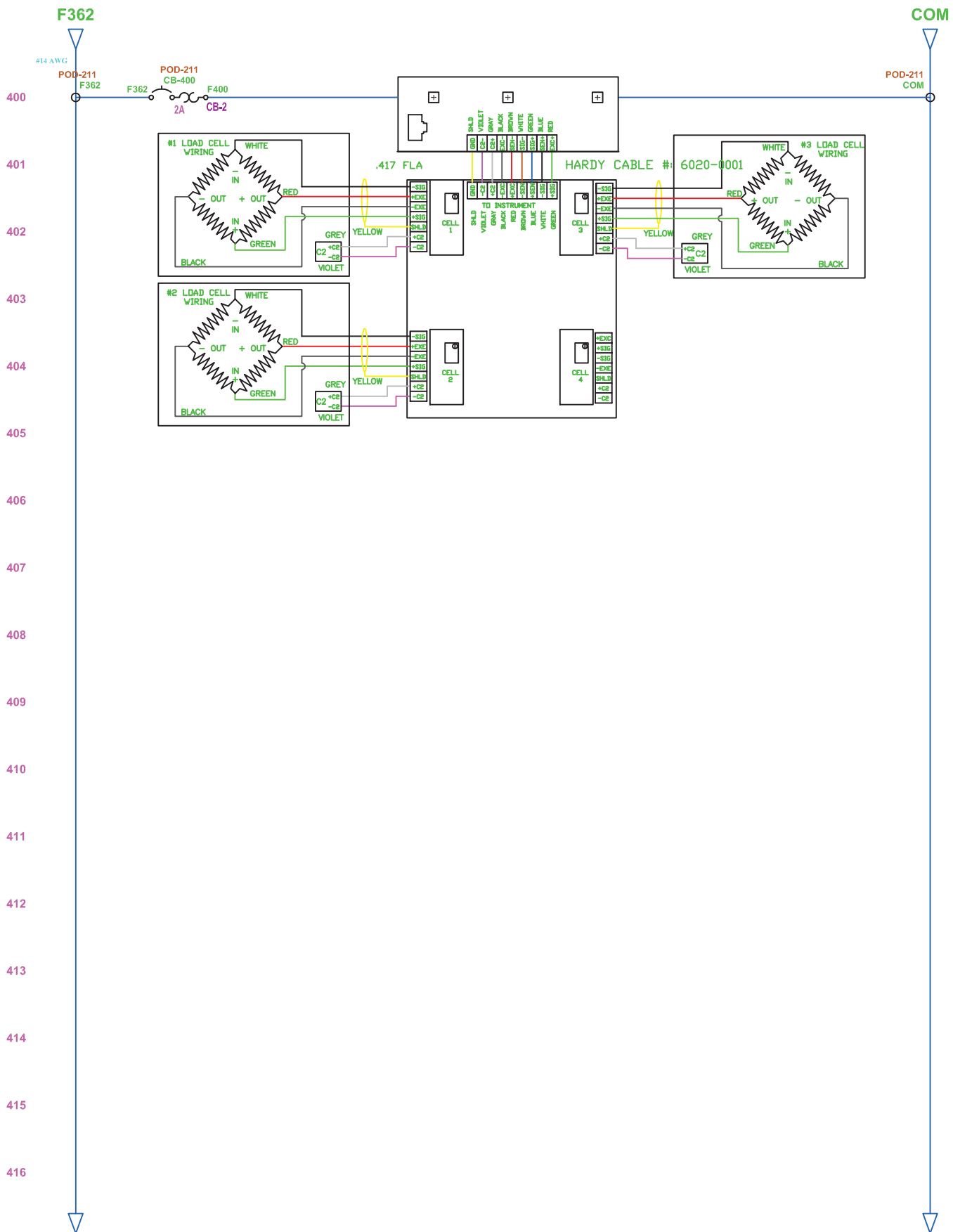


		DPG UNIT POD-211 NEMA 4			
		DRAWING NO.	SHEET	REV.	
<small>THIS DRAWING IS THE PROPERTY OF CYCLONAIRE CORPORATION SUBMITTED TO THE RECIPIENT IN CONFIDENCE AND SHALL NOT BE COPIED IN ANY MANNER NOR DISCLOSED TO ANY OUTSIDE PARTY WITHOUT THE WRITTEN CONSENT OF THIS COMPANY AND SHALL BE RETURNED ON REQUEST. ALL RIGHTS RESERVED.</small>		DR'N. BY TIB DATE 6-2-2014	SCALE 1/4 PROJECT # 14008	52-1-0469 2 OF 25	A

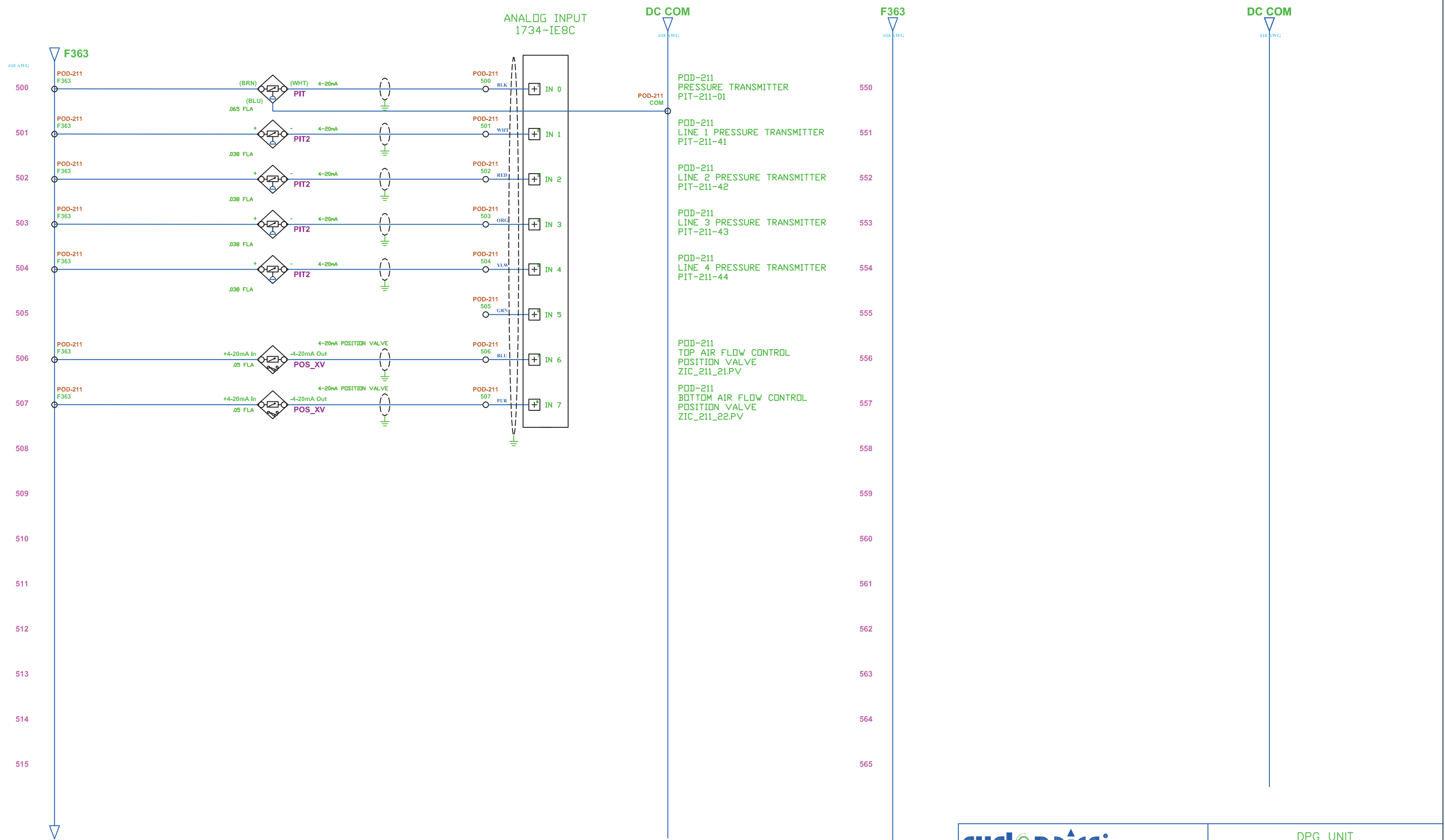


NOTE: TEMPERATURE
 RATING OF ALL WIRING
 SHALL BE RATED 60C (140F)

 CYCLONAIRE CORPORATION BOX 368 YORK, NEBR. 68467		DPG UNIT POD-211 NEMA 4		
		DRAWING NO. 52-1-0469	SHEET 3 OF 25	REV. A
DR'N. BY TIB DATE 6-2-2014	SCALE 1/4 PROJECT # 14008	THIS DRAWING IS THE PROPERTY OF CYCLONAIRE CORPORATION. SUBMITTED TO THE RECIPIENT IN CONFIDENCE AND SHALL NOT BE COPIED IN ANY MANNER NOR DISCLOSED TO ANY OUTSIDE PARTY WITHOUT THE WRITTEN CONSENT OF THIS COMPANY AND SHALL BE RETURNED ON REQUEST. ALL RIGHTS RESERVED.		



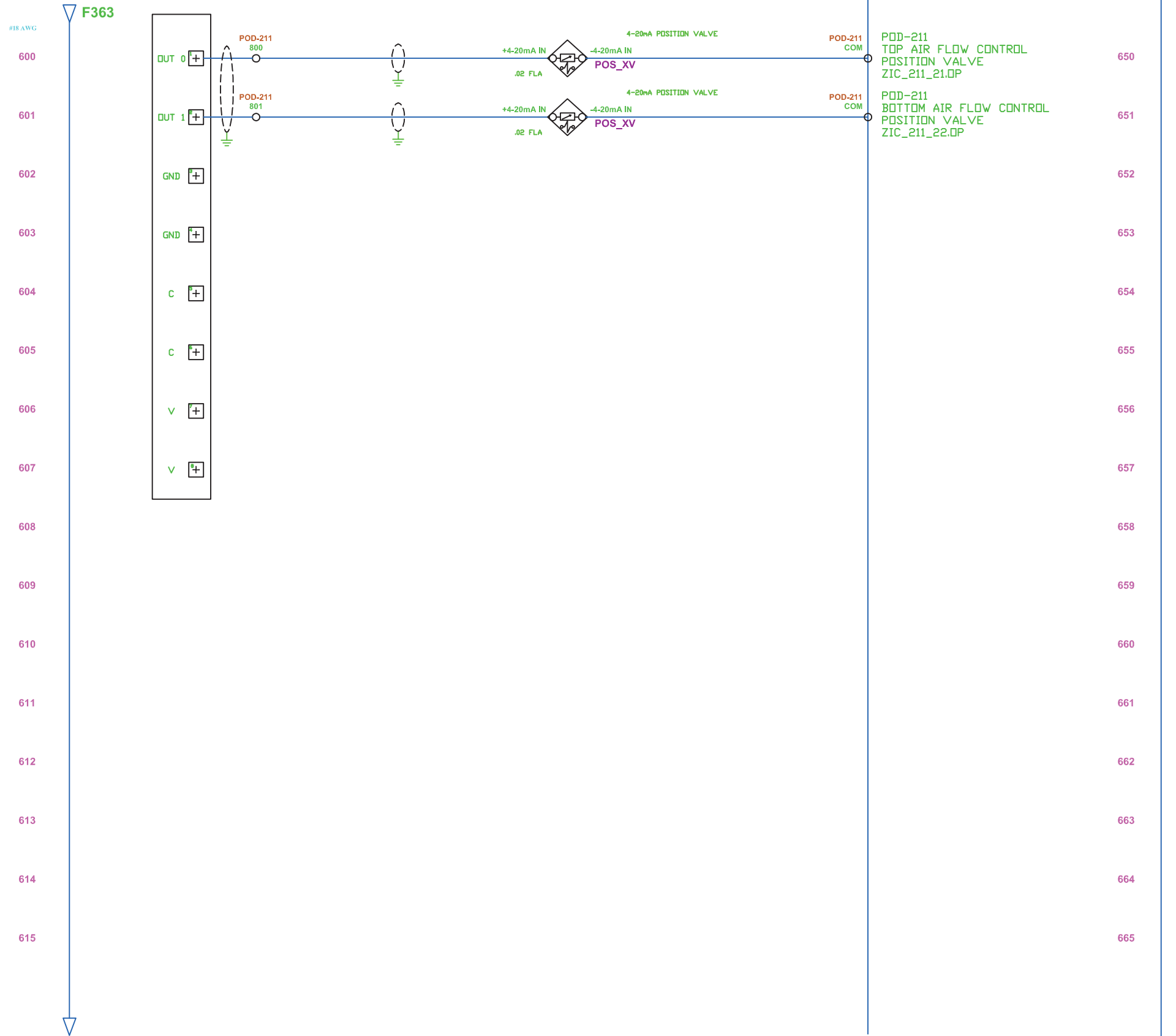
		BOX 366 YORK, NEBR. 68467		DPG UNIT POD-211 SLOT - 1 NEMA 4	
		THIS DRAWING IS THE PROPERTY OF CYCLONAIRE CORPORATION SUBMITTED TO THE RECIPIENT IN CONFIDENCE AND SHALL NOT BE COPIED IN ANY MANNER NOR DISCLOSED TO ANY OUTSIDE PARTY WITHOUT THE WRITTEN CONSENT OF THIS COMPANY AND SHALL BE RETURNED ON REQUEST. ALL RIGHTS RESERVED.	DR'N. BY TIB DATE 6-2-2014		



.317 FLA

		DPG UNIT POD-211 SLOT - 1 NEMA 4				
		DRAWING NO.	SHEET	REV.		
<small>THIS DRAWING IS THE PROPERTY OF CYCLONAIRE CORPORATION SUBMITTED TO THE RECIPIENT IN CONFIDENCE AND SHALL NOT BE COPIED IN ANY MANNER NOR DISCLOSED TO ANY OUTSIDE PARTY WITHOUT THE WRITTEN CONSENT OF THIS COMPANY AND SHALL BE RETURNED ON REQUEST. ALL RIGHTS RESERVED.</small>		DR'N. BY TIB DATE 6-2-2014	SCALE 1/4 PROJECT # 14008	52-1-0469	5 of 25	A


24VDC ANALOG CURRENT OUTPUT
1734-DE2C

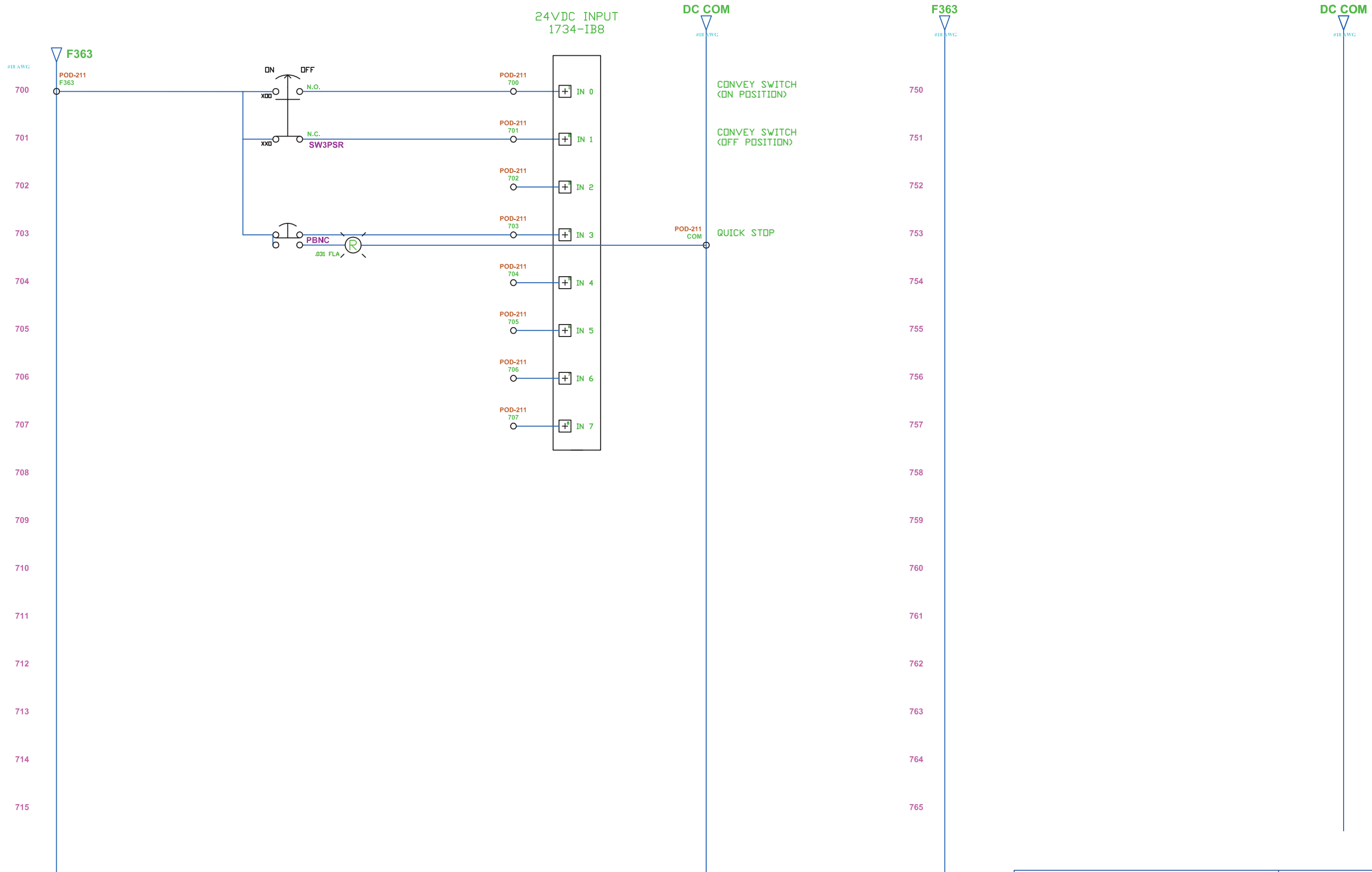


600
601
602
603
604
605
606
607
608
609
610
611
612
613
614
615

650
651
652
653
654
655
656
657
658
659
660
661
662
663
664
665

.04 FLA

		DPG UNIT POD-211 SLOT - 2 NEMA 4					
		BOX 366 YORK, NEBR. 68467		SCALE 1/4			
THIS DRAWING IS THE PROPERTY OF CYCLONAIRE CORPORATION SUBMITTED TO THE RECIPIENT IN CONFIDENCE AND SHALL NOT BE COPIED IN ANY MANNER NOR DISCLOSED TO ANY OUTSIDE PARTY WITHOUT THE WRITTEN CONSENT OF THIS COMPANY AND SHALL BE RETURNED ON REQUEST. ALL RIGHTS RESERVED.		DR'N. BY TIB	DATE 6-2-2014	PROJECT # 14008	DRAWING NO. 52-1-0469	SHEET 6 OF 25	REV. A

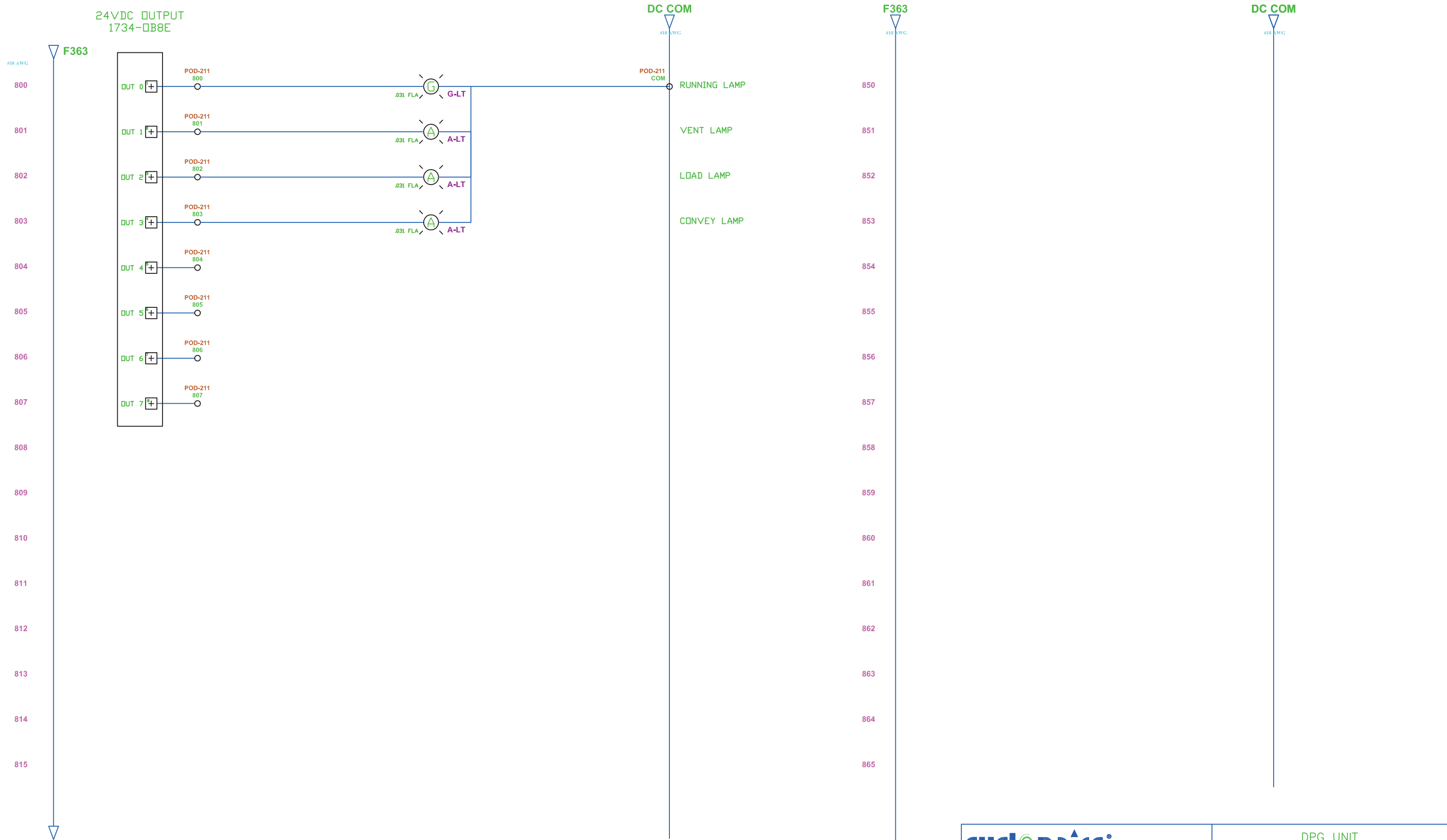


#18 AWG
700
701
702
703
704
705
706
707
708
709
710
711
712
713
714
715


750
751
752
753
754
755
756
757
758
759
760
761
762
763
764
765

		DPG UNIT POD-211 SLOT - 3 NEMA 4	
		DRAWING NO. 52-1-0469	SHEET 7 OF 25
THIS DRAWING IS THE PROPERTY OF CYCLONAIRE CORPORATION SUBMITTED TO THE RECIPIENT IN CONFIDENCE AND SHALL NOT BE COPIED IN ANY MANNER NOR DISCLOSED TO ANY OUTSIDE PARTY WITHOUT THE WRITTEN CONSENT OF THIS COMPANY AND SHALL BE RETURNED ON REQUEST. ALL RIGHTS RESERVED.	DR'N. BY TIB	SCALE 1/4	PROJECT # 14008
BOX 366 YORK, NEBR. 68467	DATE 6-2-2014	PROJECT # 14008	REV. A

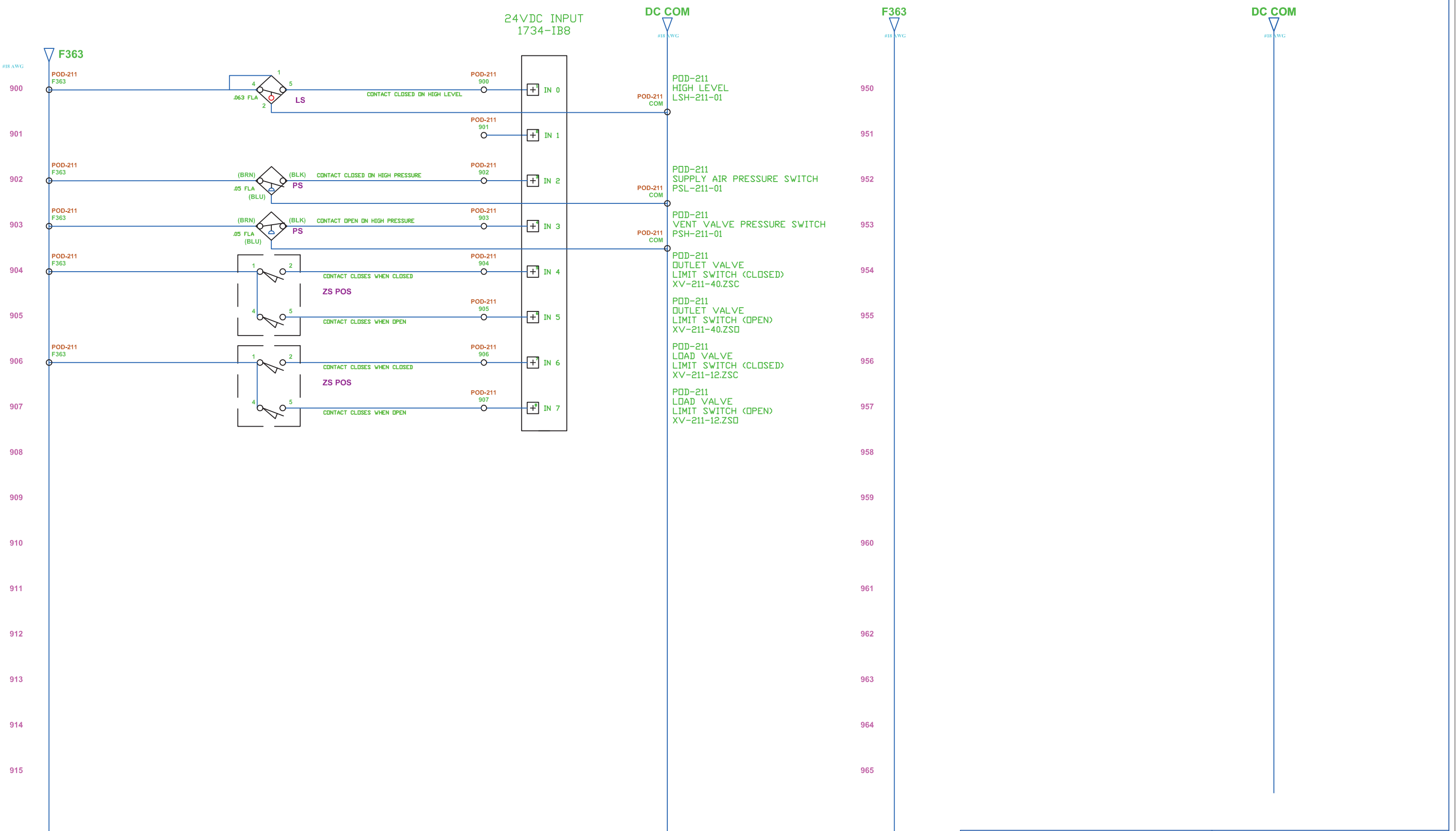
.031 FLA




.124 FLA

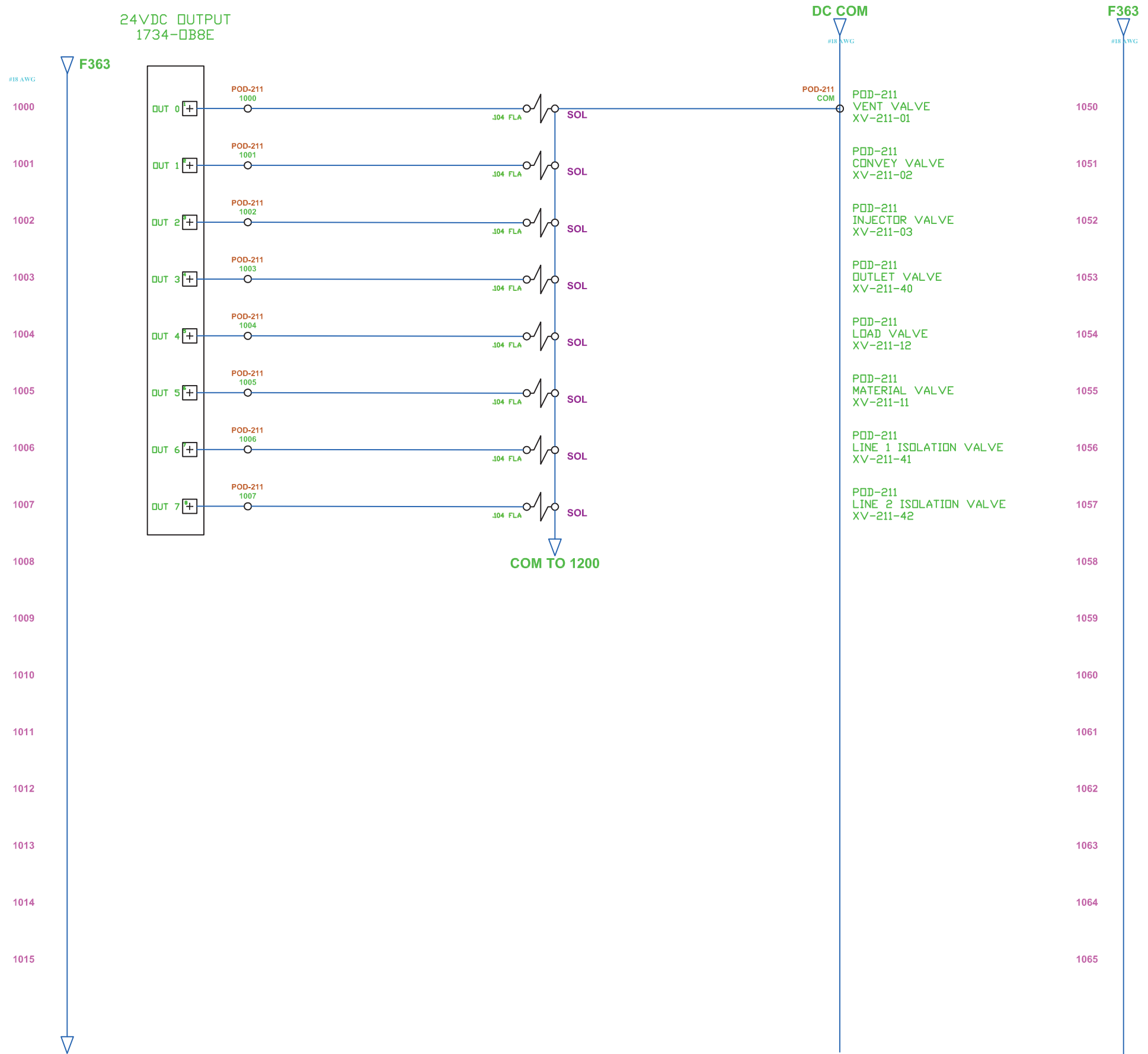
		DPG UNIT POD-211 SLOT - 4 NEMA 4	
<small>THIS DRAWING IS THE PROPERTY OF CYCLONAIRE CORPORATION SUBMITTED TO THE RECIPIENT IN CONFIDENCE AND SHALL NOT BE COPIED IN ANY MANNER NOR DISCLOSED TO ANY OUTSIDE PARTY WITHOUT THE WRITTEN CONSENT OF THIS COMPANY AND SHALL BE RETURNED ON REQUEST. ALL RIGHTS RESERVED.</small>		DR'N. BY TIB	SCALE 1/4
DATE 6-2-2014		PROJECT # 14008	DRAWING NO. 52-1-0469
		SHEET 8 OF 25	REV. A

BOX 366 YORK, NEBR. 68467



.163 FLA

		DPG UNIT POD-211 SLOT - 5 NEMA 4		
DR'N. BY TIB	SCALE 1/4	DRAWING NO. 52-1-0469	SHEET 9 OF 25	REV. A
DATE 6-2-2014	PROJECT # 14008			



#18 AWG

1000

1001

1002

1003

1004

1005

1006

1007

1008

1009

1010

1011

1012

1013

1014

1015

1050

1051

1052

1053

1054

1055

1056

1057

1058

1059

1060

1061


1062

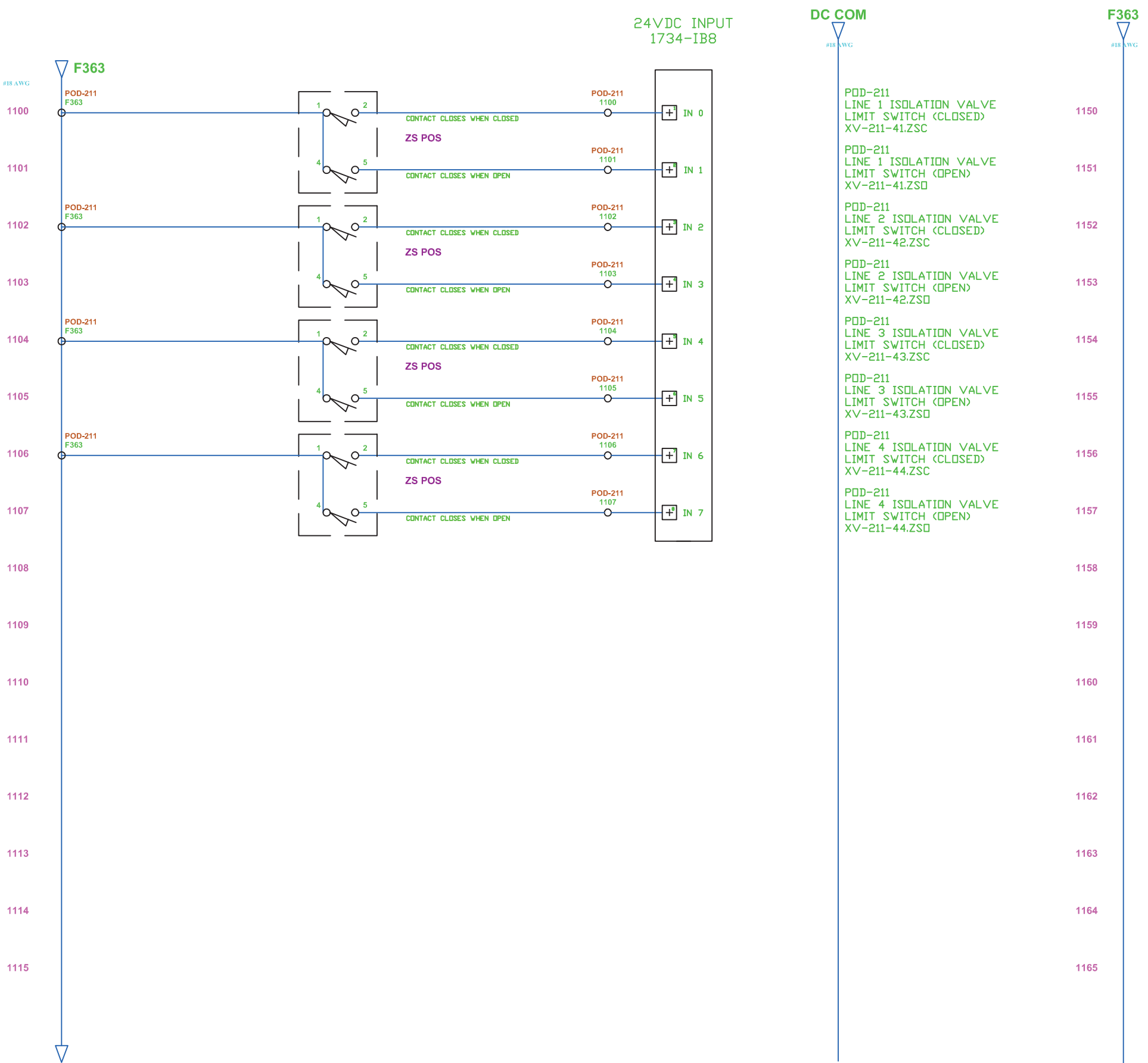
1063

1064

1065

.832 FLA

		BOX 366 YORK, NEBR. 68467		DPG UNIT POD-211 SLOT - 6 NEMA 4	
		DR'N. BY TIB	SCALE 1/4	DRAWING NO. 52-1-0469	SHEET 10 OF 25
<small>THIS DRAWING IS THE PROPERTY OF CYCLONAIRE CORPORATION SUBMITTED TO THE RECIPIENT IN CONFIDENCE AND SHALL NOT BE COPIED IN ANY MANNER NOR DISCLOSED TO ANY OUTSIDE PARTY WITHOUT THE WRITTEN CONSENT OF THIS COMPANY AND SHALL BE RETURNED ON REQUEST. ALL RIGHTS RESERVED.</small>		DATE 6-2-2014	PROJECT # 14008		



POD-211
LINE 1 ISOLATION VALVE
LIMIT SWITCH (CLOSED)
XV-211-41.ZSC

POD-211
LINE 1 ISOLATION VALVE
LIMIT SWITCH (OPEN)
XV-211-41.ZSD

POD-211
LINE 2 ISOLATION VALVE
LIMIT SWITCH (CLOSED)
XV-211-42.ZSC

POD-211
LINE 2 ISOLATION VALVE
LIMIT SWITCH (OPEN)
XV-211-42.ZSD

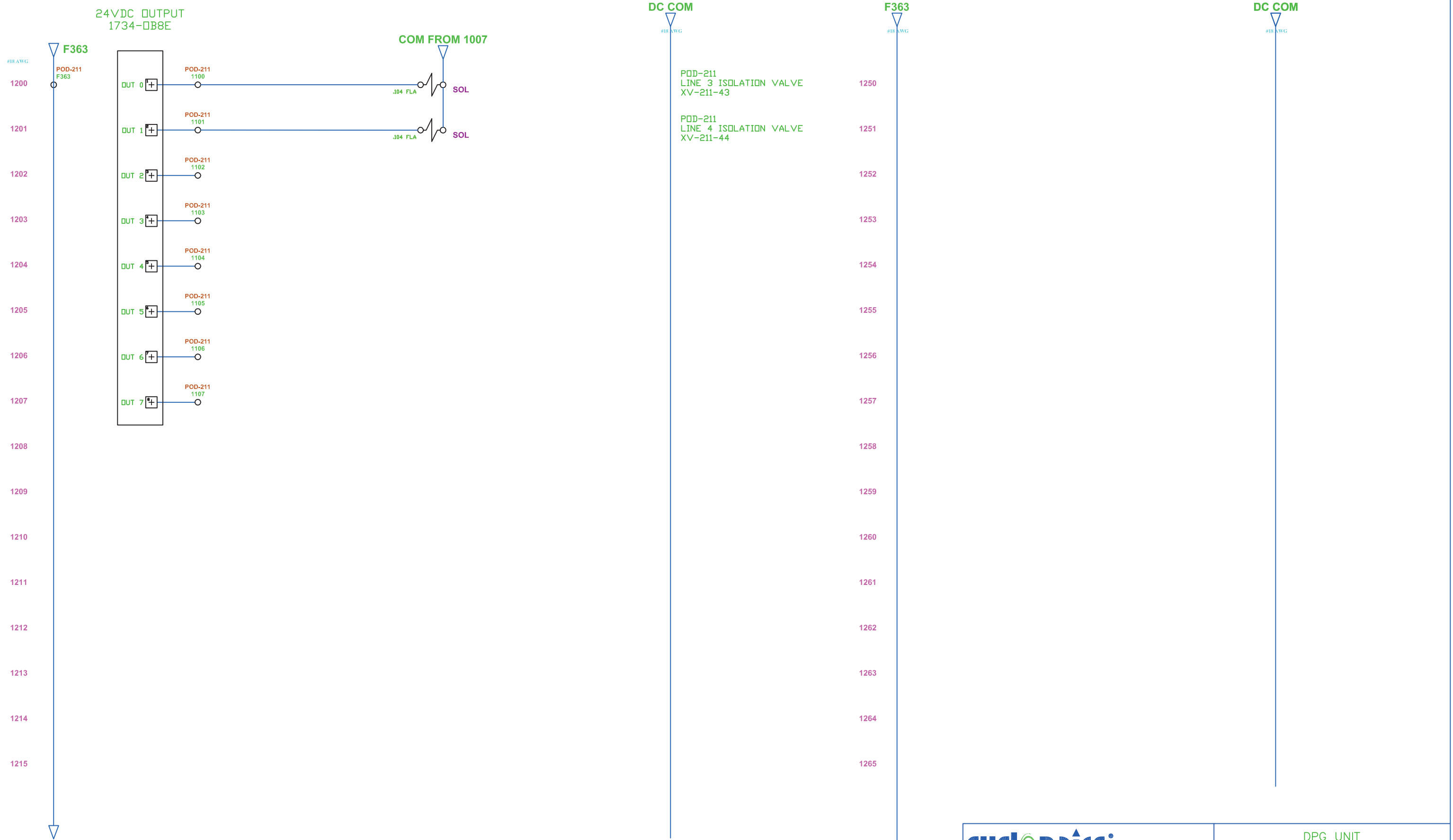
POD-211
LINE 3 ISOLATION VALVE
LIMIT SWITCH (CLOSED)
XV-211-43.ZSC

POD-211
LINE 3 ISOLATION VALVE
LIMIT SWITCH (OPEN)
XV-211-43.ZSD


POD-211
LINE 4 ISOLATION VALVE
LIMIT SWITCH (CLOSED)
XV-211-44.ZSC

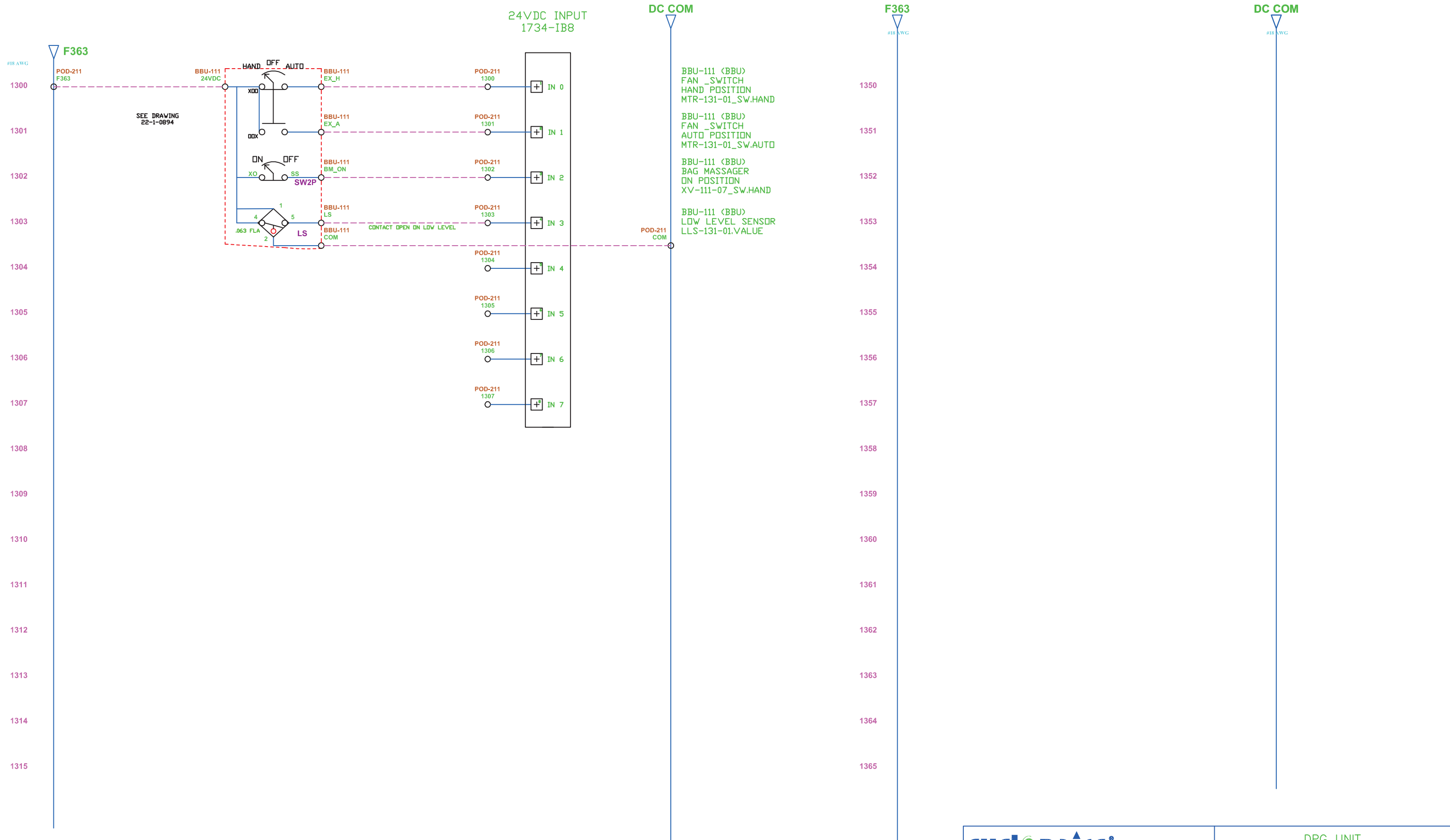
POD-211
LINE 4 ISOLATION VALVE
LIMIT SWITCH (OPEN)
XV-211-44.ZSD

		BOX 366 YORK, NEBR. 68467		DPG UNIT POD-211 SLOT - 7 NEMA 4		
<small>THIS DRAWING IS THE PROPERTY OF CYCLONAIRE CORPORATION SUBMITTED TO THE RECIPIENT IN CONFIDENCE AND SHALL NOT BE COPIED IN ANY MANNER NOR DISCLOSED TO ANY OUTSIDE PARTY WITHOUT THE WRITTEN CONSENT OF THIS COMPANY AND SHALL BE RETURNED ON REQUEST. ALL RIGHTS RESERVED.</small>		DATE 6-2-2014	PROJECT # 14008	DRAWING NO. 52-1-0469	SHEET 11 OF 25	REV. A




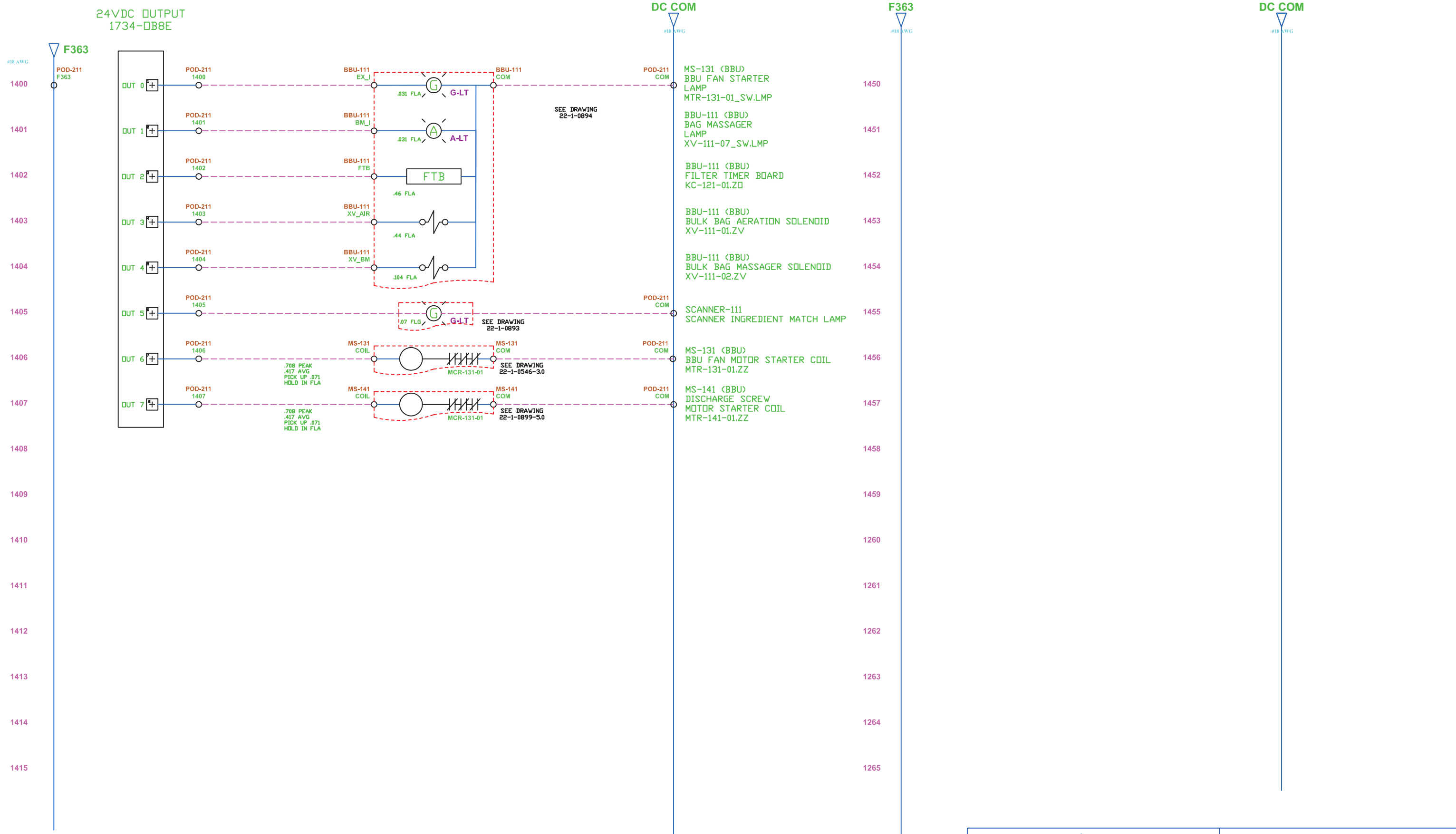
.208 FLA

 CORPORATION		BOX 366 YORK, NEBR. 68467		DPG UNIT POD-211 SLOT - 8 NEMA 4		
		DATE 6-2-2014	PROJECT # 14008			



.125 FLA

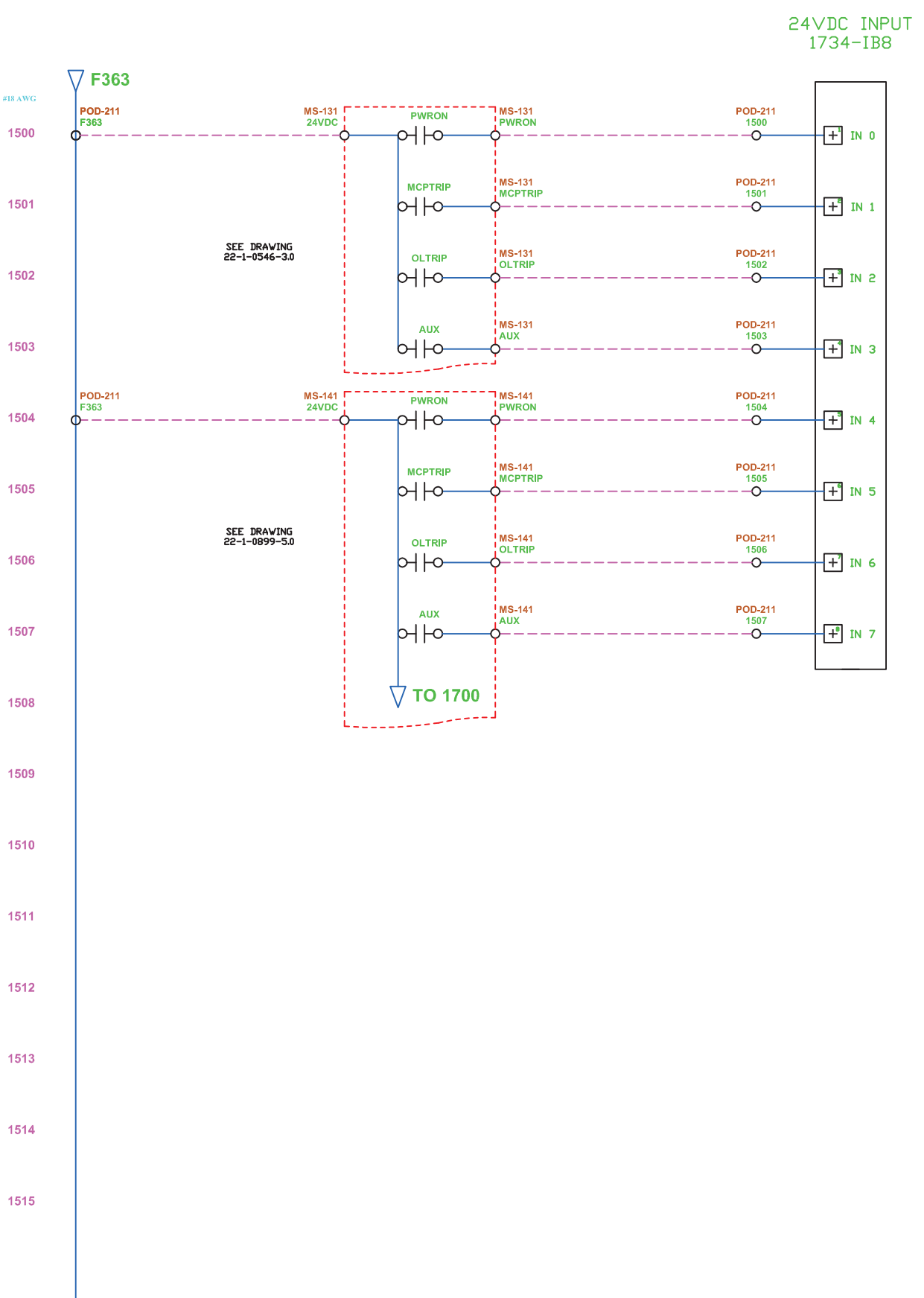
		DPG UNIT POD-211 SLOT - 9 NEMA 4			
		DRAWING NO. 52-1-0469		SHEET 13 OF 25	REV. A
THIS DRAWING IS THE PROPERTY OF CYCLONAIRE CORPORATION SUBMITTED TO THE RECIPIENT IN CONFIDENCE AND SHALL NOT BE COPIED IN ANY MANNER NOR DISCLOSED TO ANY OUTSIDE PARTY WITHOUT THE WRITTEN CONSENT OF THIS COMPANY AND SHALL BE RETURNED ON REQUEST. ALL RIGHTS RESERVED.		DR'N. BY TIB	SCALE 1/4	PROJECT # 14008	
		DATE 6-2-2014			



1400
1401
1402
1403
1404
1405
1406
1407
1408
1409
1410
1411
1412
1413
1414
1415

1.97 FLA

		DPG UNIT POD-211 SLOT-10 NEMA 4				
		DRAWING NO.	SHEET	REV.		
<small>THIS DRAWING IS THE PROPERTY OF CYCLONAIRE CORPORATION SUBMITTED TO THE RECIPIENT IN CONFIDENCE AND SHALL NOT BE COPIED IN ANY MANNER NOR DISCLOSED TO ANY OUTSIDE PARTY WITHOUT THE WRITTEN CONSENT OF THIS COMPANY AND SHALL BE RETURNED ON REQUEST. ALL RIGHTS RESERVED.</small>		DR'N. BY TIB	SCALE 1/4	52-1-0469	14 OF 25	A
		DATE 6-2-2014	PROJECT # 14008			



DC COM



- MS-131 (BBU)
BBU FAN STARTER
POWER ON INDICATION
MTR-131-01.PWRON
- MS-131 (BBU)
BBU FAN STARTER
MCP TRIP
MTR-131-01.MCPTRIP
- MS-131 (BBU)
BBU FAN STARTER
OVERLOAD TRIP
MTR-131-01.OLTRIP
- MS-131 (BBU)
BBU FAN STARTER
AUX CONTACT
MTR-131-01.AUX
- MS-141 (BBU)
DISCHARGE SCREW STARTER
POWER ON INDICATION
MTR-141-01.PWRON
- MS-141 (BBU)
DISCHARGE SCREW STARTER
MCP TRIP
MTR-141-01.MCPTRIP
- MS-141 (BBU)
DISCHARGE SCREW STARTER
OVERLOAD TRIP
MTR-141-01.OLTRIP
- MS-141 (BBU)
DISCHARGE SCREW STARTER
AUX CONTACT
MTR-141-01.AUX

F363



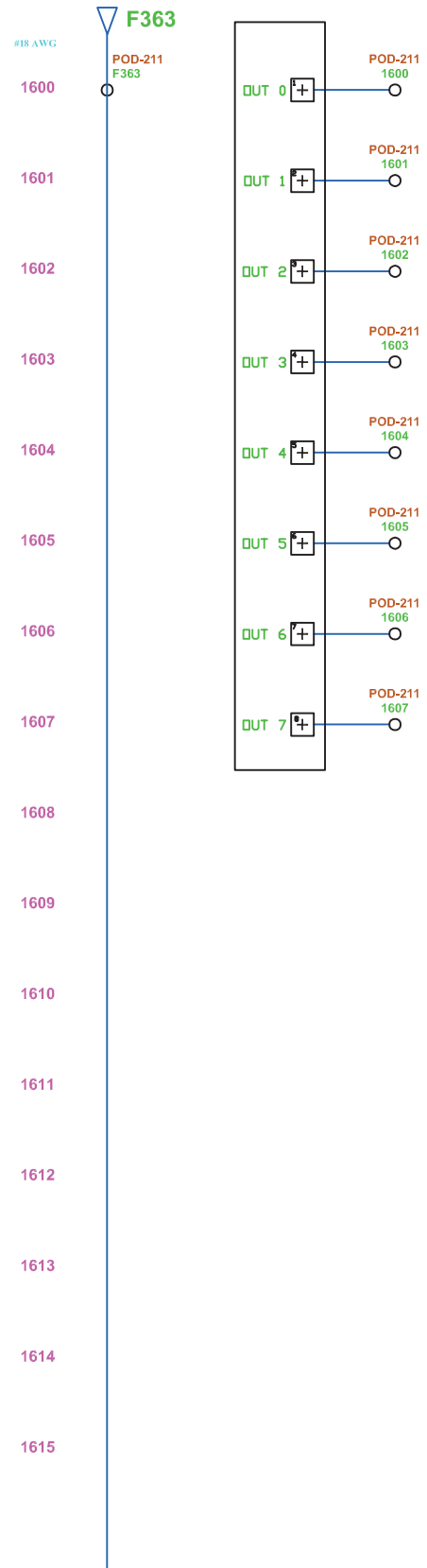
1550
1551
1552
1553
1554
1555
1556
1557
1558
1559
1560
1561
1562
1563
1564
1565

DC COM



		DPG UNIT POD-211 SLOT-11 NEMA 4					
		DRAWING NO.	SHEET	REV.			
<small>THIS DRAWING IS THE PROPERTY OF CYCLONAIRE CORPORATION SUBMITTED TO THE RESPONDENT IN CONFIDENCE AND SHALL NOT BE COPIED IN ANY MANNER NOR DISCLOSED TO ANY OUTSIDE PARTY WITHOUT THE WRITTEN CONSENT OF THIS COMPANY AND SHALL BE RETURNED ON REQUEST. ALL RIGHTS RESERVED.</small>		DR'N. BY TIB DATE 6-2-2014	SCALE 1/4 PROJECT # 14008	BOX 366 YORK, NEBR. 68467	52-1-0469	15 of 25	A

24VDC OUTPUT
1734-DB8E



DC COM
#18 AWG




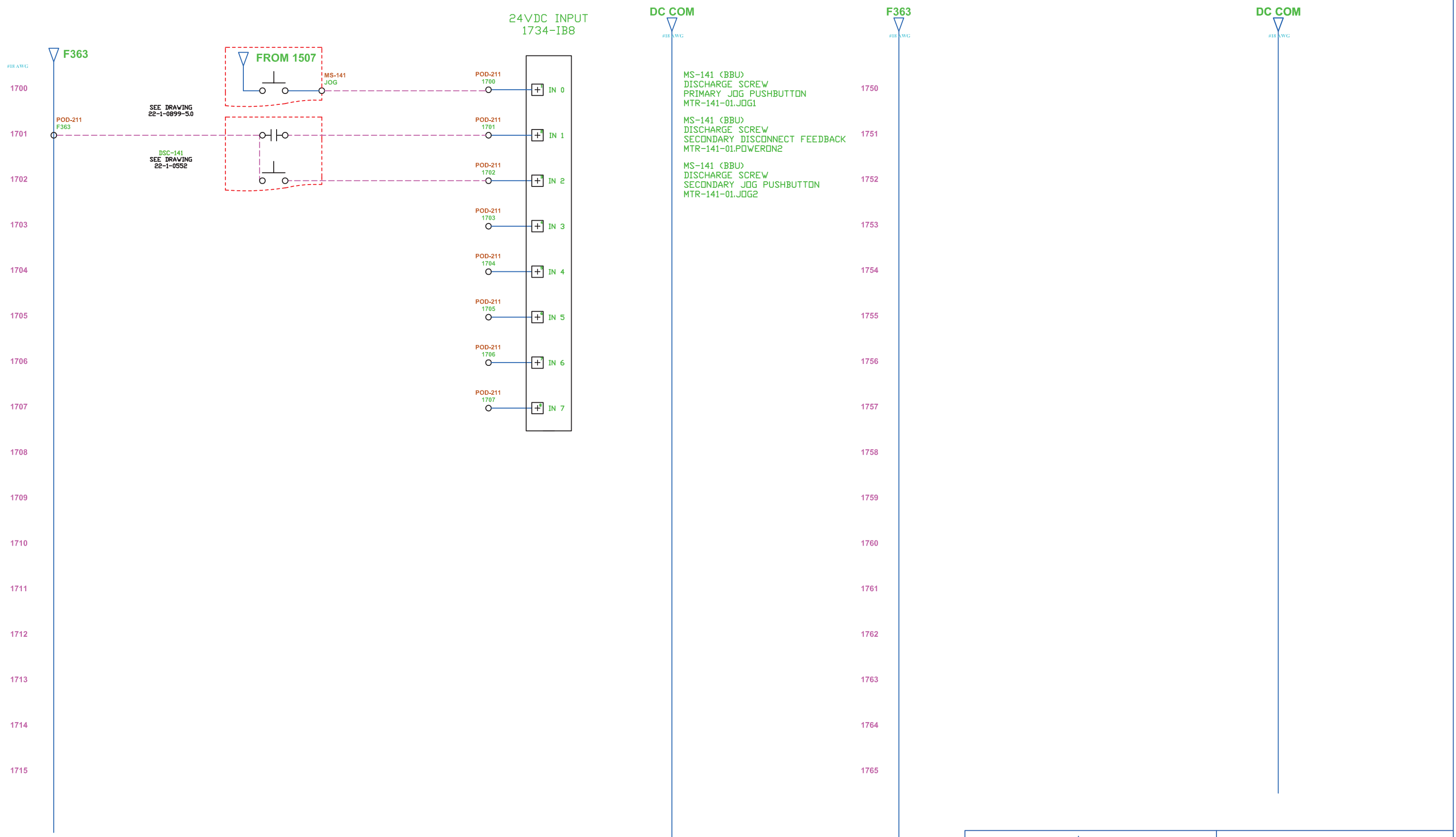
F363
#18 AWG




DC COM
#18 AWG




 CORPORATION BOX 366 YORK, NEBR. 68467		DPG UNIT POD-211 SLOT-12 NEMA 4		
DR'N. BY TIB	SCALE 1/4	52-1-0469	16 OF 25	A
DATE 6-2-2014	PROJECT # 14008			




 CORPORATION		BOX 366 YORK, NEBR. 68467		DPG UNIT POD-211 SLOT-13 NEMA 4		
		DATE 6-2-2014	PROJECT # 14008			


SPARE SHEET

 CORPORATION		BOX 366 YORK, NEBR. 68467		DPG UNIT POD-211		
<small>THIS DRAWING IS THE PROPERTY OF CYCLONAIRE CORPORATION SUBMITTED TO THE RECIPIENT IN CONFIDENCE AND SHALL NOT BE COPIED IN ANY MANNER NOR DISCLOSED TO ANY OUTSIDE PARTY WITHOUT THE WRITTEN CONSENT OF THIS COMPANY AND SHALL BE RETURNED ON REQUEST. ALL RIGHTS RESERVED.</small>		DR'N. BY	SCALE	NEMA 4		
		TIB	1/4			
		DATE	PROJECT #	DRAWING NO.	SHEET	REV.
		6-2-2014	14008	52-1-0469	18 of 25	A


SPARE SHEET

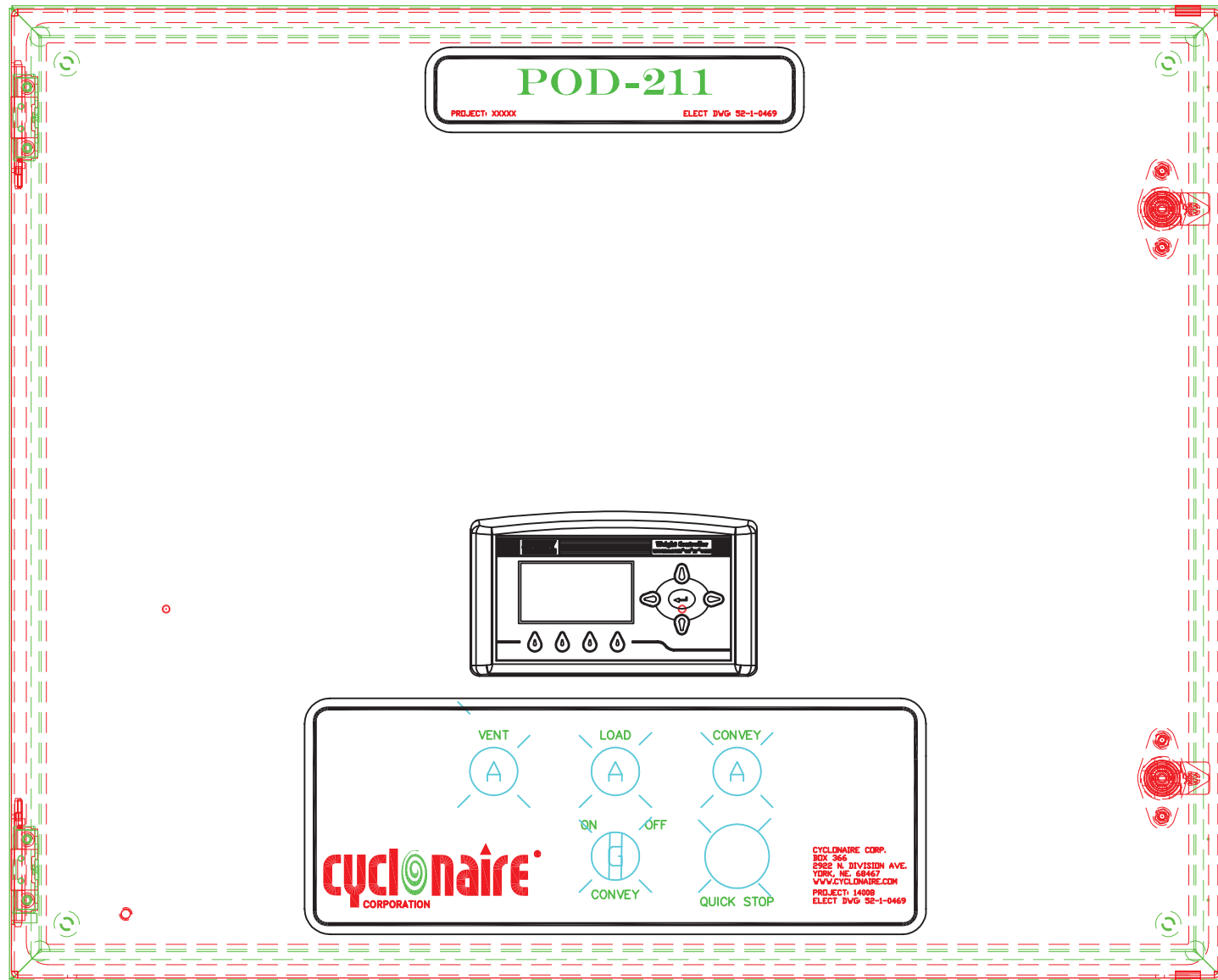
 CORPORATION			BOX 366 YORK, NEBR. 68467		
<small>THIS DRAWING IS THE PROPERTY OF CYCLONAIRE CORPORATION SUBMITTED TO THE RECIPIENT IN CONFIDENCE AND SHALL NOT BE COPIED IN ANY MANNER NOR DISCLOSED TO ANY OUTSIDE PARTY WITHOUT THE WRITTEN CONSENT OF THIS COMPANY AND SHALL BE RETURNED ON REQUEST. ALL RIGHTS RESERVED.</small>			DR'N. BY		SCALE
			TIB		1/4
			DATE		PROJECT #
			6-2-2014		14008
			DRAWING NO.		SHEET
			52-1-0469		19 OF 25
					REV.
					A

SPARE SHEET

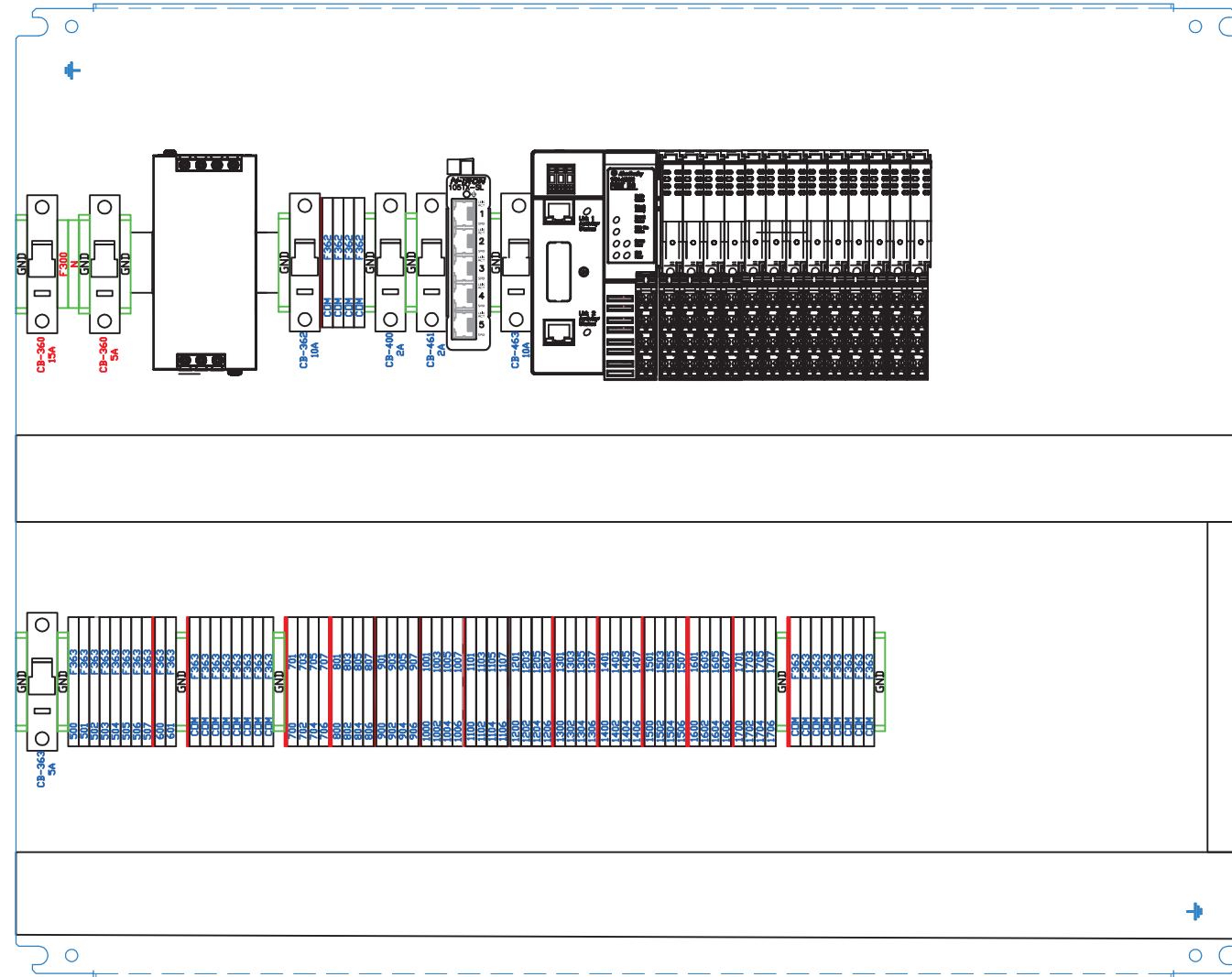
 BOX 366 YORK, NEBR. 68467			DPG UNIT POD-211		
<small>THIS DRAWING IS THE PROPERTY OF CYCLONAIRE CORPORATION SUBMITTED TO THE RECIPIENT IN CONFIDENCE AND SHALL NOT BE COPIED IN ANY MANNER NOR DISCLOSED TO ANY OUTSIDE PARTY WITHOUT THE WRITTEN CONSENT OF THIS COMPANY AND SHALL BE RETURNED ON REQUEST. ALL RIGHTS RESERVED.</small>			SCALE		REV.
			1/4		
DR'N. BY		PROJECT #		DRAWING NO.	
TIB		14008		52-1-0469	
DATE		SHEET		20 OF 25	
6-2-2014		A			

SPARE SHEET

 BOX 366 YORK, NEBR. 68467			DPG UNIT POD-211		
<small>THIS DRAWING IS THE PROPERTY OF CYCLONAIRE CORPORATION SUBMITTED TO THE RECIPIENT IN CONFIDENCE AND SHALL NOT BE COPIED IN ANY MANNER NOR DISCLOSED TO ANY OUTSIDE PARTY WITHOUT THE WRITTEN CONSENT OF THIS COMPANY AND SHALL BE RETURNED ON REQUEST. ALL RIGHTS RESERVED.</small>			SCALE		REV.
			1/4		
DR'N. BY		PROJECT #		DRAWING NO.	
TIB		14008		52-1-0469	
DATE		SHEET		21 OF 25	
6-2-2014				A	



		DPG UNIT POD-211		
		NEMA 4		
<small>THIS DRAWING IS THE PROPERTY OF CYCLONAIRE CORPORATION SUBMITTED TO THE RECIPIENT IN CONFIDENCE AND SHALL NOT BE COPIED IN ANY MANNER NOR DISCLOSED TO ANY OUTSIDE PARTY WITHOUT THE WRITTEN CONSENT OF THIS COMPANY AND SHALL BE RETURNED ON REQUEST. ALL RIGHTS RESERVED.</small>	DR'N. BY TIB	SCALE 1/4	DRAWING NO. 52-1-0469	SHEET 22 OF 25
	DATE 6-2-2014	PROJECT # 14008	REV. A	




THIS DRAWING IS THE PROPERTY OF
 CYCLONAIRE CORPORATION SUBMITTED
 TO THE RECIPIENT IN CONFIDENCE
 AND SHALL NOT BE COPIED IN ANY
 MANNER NOR DISCLOSED TO ANY
 OUTSIDE PARTY WITHOUT THE WRITTEN
 CONSENT OF THIS COMPANY AND
 SHALL BE RETURNED ON REQUEST.
 ALL RIGHTS RESERVED.

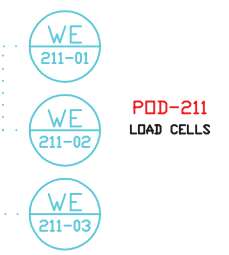
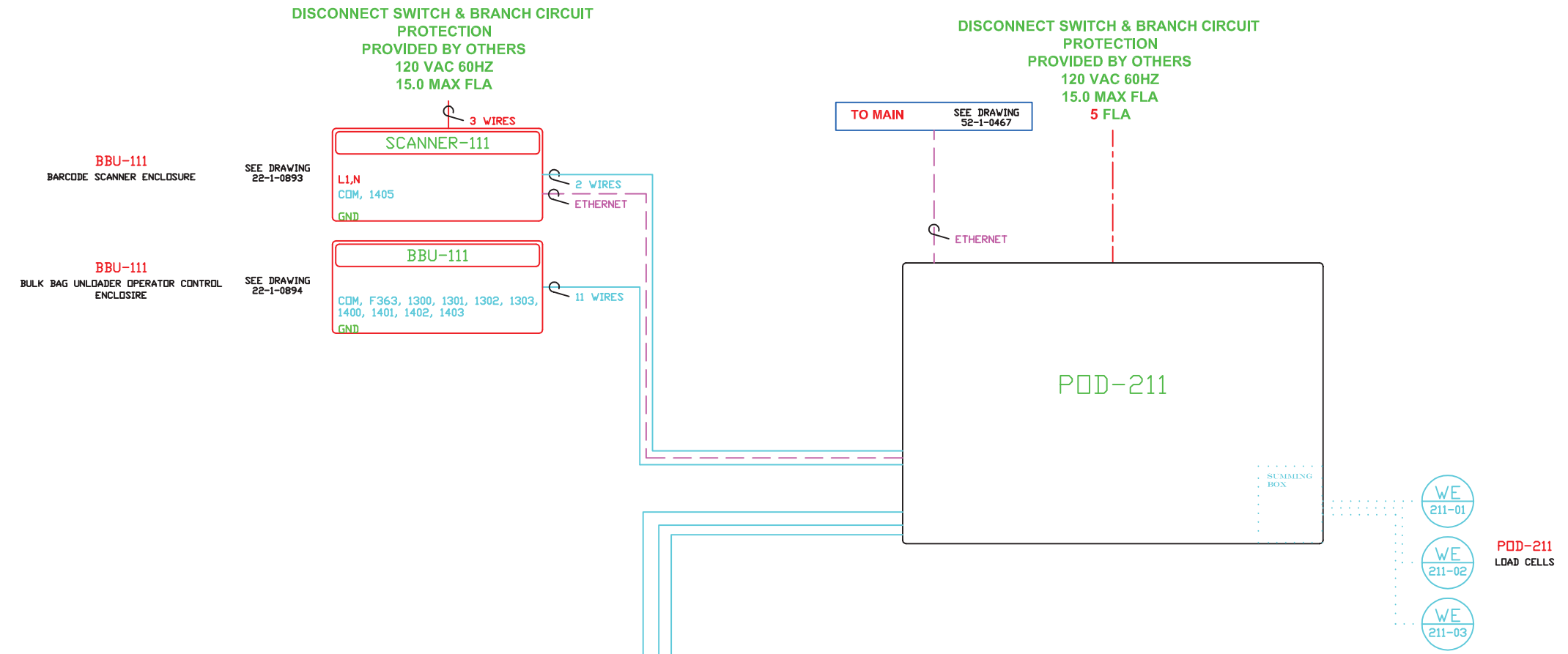
DR'N. BY TIB	SCALE 1/4
DATE 6-2-2014	PROJECT # 14008

DPG UNIT POD-211		
NEMA 4		
DRAWING NO. 52-1-0469	SHEET 23 of 25	REV. A

BILL OF MATERIALS

Descriptor	Part Number	Qty	Description	Manufacturer	Manufacturer PN
ENC	904-10426	1	24 x 30 X 10 ENCLOSURE	HOFFMAN	CSD243010
BP	904-10221	1	30 x 24 BACKPANEL	HOFFMAN	CP3024
PS	904-02101B	1	24VDC 10A POWER SUPPLY	ALLEN BRADLEY	1606-XLE240E
ENET	904-06708	1	5 PORT ETHERNET SWITCH	NTRON	105TX-SL
WI-CBL	904-02955A		SCALE CABLE	HARDY	6020-0001
WI	904-06505	1	SCALE HEAD	HARDY	HI 4050-PM-AC-EIP
AENTR	904-06642	1	POINT I/O 2-PORT ETHERNET MODULE	ALLEN BRADLEY	1734-AENTR
IE8C	904-06640	1	POINT I/O 24VDC ANALOG CURRENT INPUT 8-POINT	ALLEN BRADLEY	1734-IE8C
OE2C	904-06695	1	POINT I/O 24VDC ANALOG CURRENT OUTPUT 2-POINT	ALLEN BRADLEY	1734-OE2C
IB8	904-06612	6	POINT I/O 24VDC INPUT 8-POINT	ALLEN BRADLEY	1734-IB8
OB8E	904-06613	5	POINT I/O 24VDC OUTPUT 8-POINT	ALLEN BRADLEY	1734-OB8E
TBS	904-06614	13	POINT I/O TERMINALS	ALLEN BRADLEY	1734-TBS
CB-15	904-02382A	1	15A CIRCUIT BREAKER	ALLEN BRADLEY	1492-SP1B150
CB-10	904-02381A	2	10A CIRCUIT BREAKER	ALLEN BRADLEY	1492-SP1B100
CB-5	904-02429A	2	5A CIRCUIT BREAKER	ALLEN BRADLEY	1492-SP1B050
CB-2	904-02427A	3	2A CIRCUIT BREAKER	ALLEN BRADLEY	1492-SP1B020
GTB	904-04410	13	GROUND TERMINAL BLOCK	AUTOMATION DIRECT	DN-G10
TB	904-04411	2	TERMINAL BLOCK 1 CIRCUIT	AUTOMATION DIRECT	DN-T10-A
TB2	904-04845	74	TERMINAL BLOCK 2 CIRCUIT DOUBLE LEVEL	AUTOMATION DIRECT	DN-D10-A
TB2C	904-04846	16	END COVER FOR TERMINAL BLOCK 2 CIRCUIT	AUTOMATION DIRECT	DN-DEC10
	904-02392B	1	ILLUMINATED QUICK STOP PUSH BUTTON	ALLEN BRADLEY	800FP-LMP46
	904-02556B	1	3 POS. RTN TO CENTER SWITCH- ILL GRN	ALLEN BRADLEY	800F-LSB33
	904-02630A	2	PUSHBUTTON LATCH	ALLEN BRADLEY	800F-ALM
	904-02652A	3	AMBER LAMP	ALLEN BRADLEY	800FP-P5
	904-02393B	5	24VDC LED LAMP MODULE	ALLEN BRADLEY	800F-MN3W
	904-02631A	2	NO CONTACT	ALLEN BRADLEY	800F-X10
	904-02632A	2	NC CONTACT	ALLEN BRADLEY	800F-MX01

 <small>CORPORATION BOX 366 YORK, NEBR. 68467</small>		DPG UNIT POD-211 NEMA 4		
<small>THIS DRAWING IS THE PROPERTY OF CYCLONAIRE CORPORATION SUBMITTED TO THE RECIPIENT IN CONFIDENCE AND SHALL NOT BE COPIED IN ANY MANNER NOR DISCLOSED TO ANY OUTSIDE PARTY WITHOUT THE WRITTEN CONSENT OF THIS COMPANY AND SHALL BE RETURNED ON REQUEST. ALL RIGHTS RESERVED.</small>	DR'N. BY	SCALE	DRAWING NO.	SHEET
	TIB	1/4	52-1-0469	24 of 25
DATE	PROJECT #			REV.
6-2-2014	14008			A



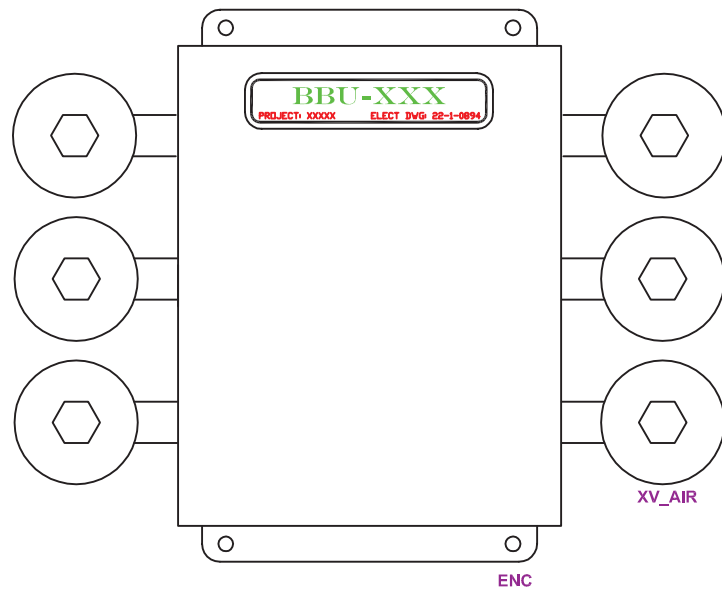
cyclonaire
CORPORATION

BOX 366 YORK, NEBR. 68467

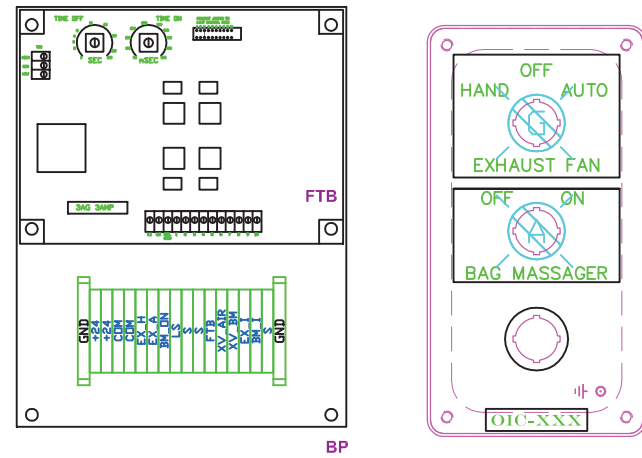
DR'N. BY TIB	SCALE 1/4
DATE 6-2-2014	PROJECT # 14008

DPG UNIT POD-211		
NEMA 4		
DRAWING NO. 52-1-0469	SHEET 25 OF 25	REV. A

BULK BAG UNLOADER J-BOX
EXTERNAL LAYOUT

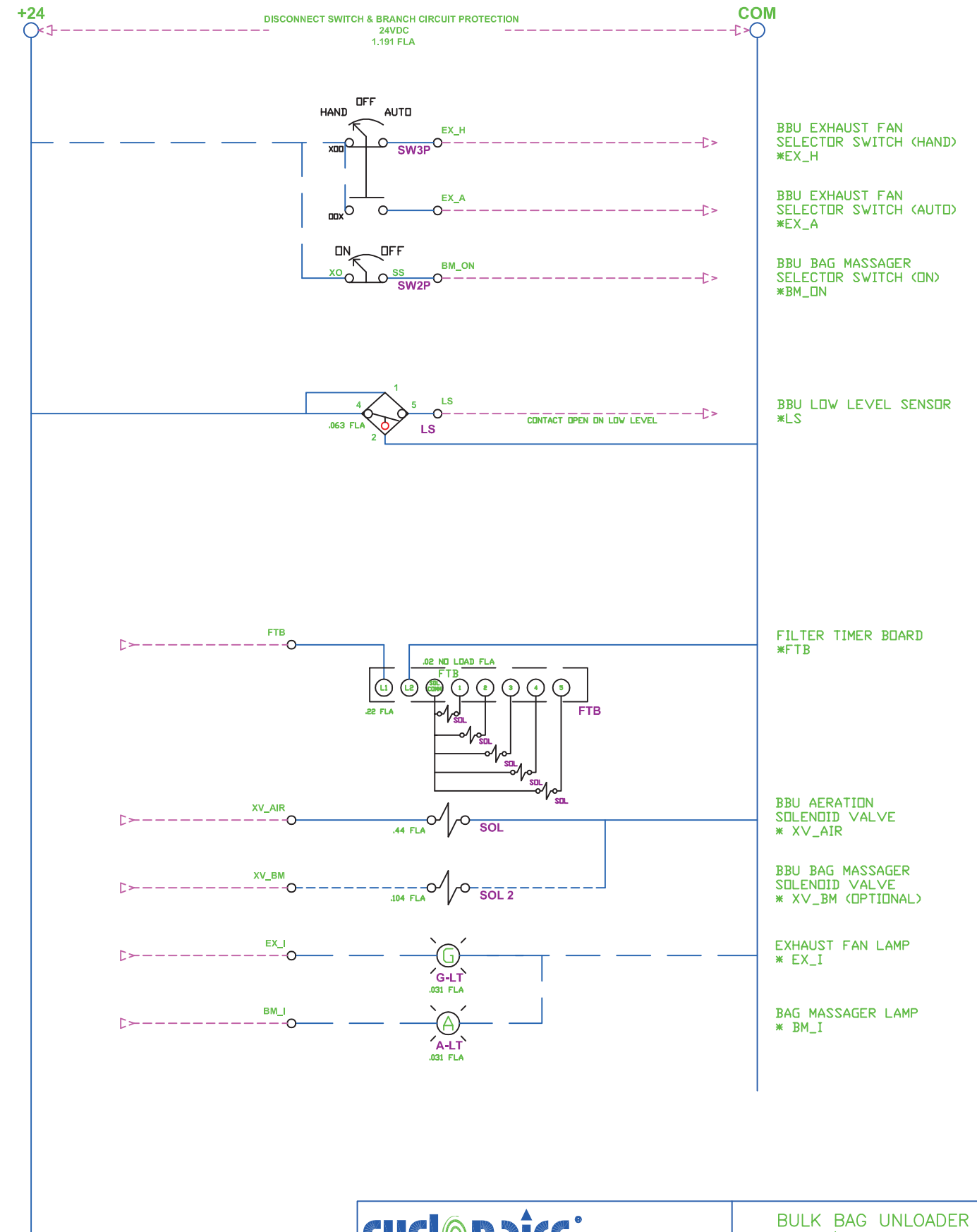


INTERNAL LAYOUT



BILL OF MATERIALS

Descriptor	Part Number	Qty	Description
ENC	904-10064	1	HOFFMAN 10 x 8 x 6 NEMA 4 ENCLOSURE
BP	904-10037	1	PANEL FOR 10 x 8 ENCLOSURE
EPB	904-10457	1	PUSHBUTTON ENCLCSURE, 22.5mm 3 PUSHBUTTON FLAT ENC
	904-10244	1	HOLE SEAL
FTB	904-02571A	1	DWYER 10 OUTPUT 24VDC TIMER BOARD
GTB	904-04410	2	GROUND TERMINAL BLOCK
TB	904-04411	15	TERMINAL BLOCK
SOL	905-01785	6	ASCO 1/8" 2 WAY 24VDC SOLENOID VALVE
HUB	904-04180	6	1/2" MEYERS HUB
CN	904-04447	6	1/2" CLOSE NIPPLE
SW3P-G	904-02551B	1	3 POSITION SWITCH-GRN ILL
SW2P-A	904-02545B	1	2 POSITION SWITCH-AMB ILL
	904-02393B	2	24VDC LED LAMP MCDULE
	904-02631A	3	NO CONTACT



cyclonaire
CORPORATION

BOX 368 YORK, NEBR. 68467

THIS DRAWING IS THE PROPERTY OF CYCLONAIRE CORPORATION SUBMITTED TO THE RECIPIENT IN CONFIDENCE AND SHALL NOT BE COPIED IN ANY MANNER NOR DISCLOSED TO ANY OUTSIDE PARTY WITHOUT THE WRITTEN CONSENT OF THIS COMPANY AND SHALL BE RETURNED ON REQUEST. ALL RIGHTS RESERVED.

DR'N. BY
TIB
DATE
6-2-2014

SCALE
1/4
PROJECT #

BULK BAG UNLOADER J-BOX
24VDC W/BAG MASSAGER (ON/OFF),
LEVEL PROBE, EXHAUST FAN (HOA)
NEMA 4

DRAWING NO.	SHEET	REV.
22-1-0894	1 OF 1	A