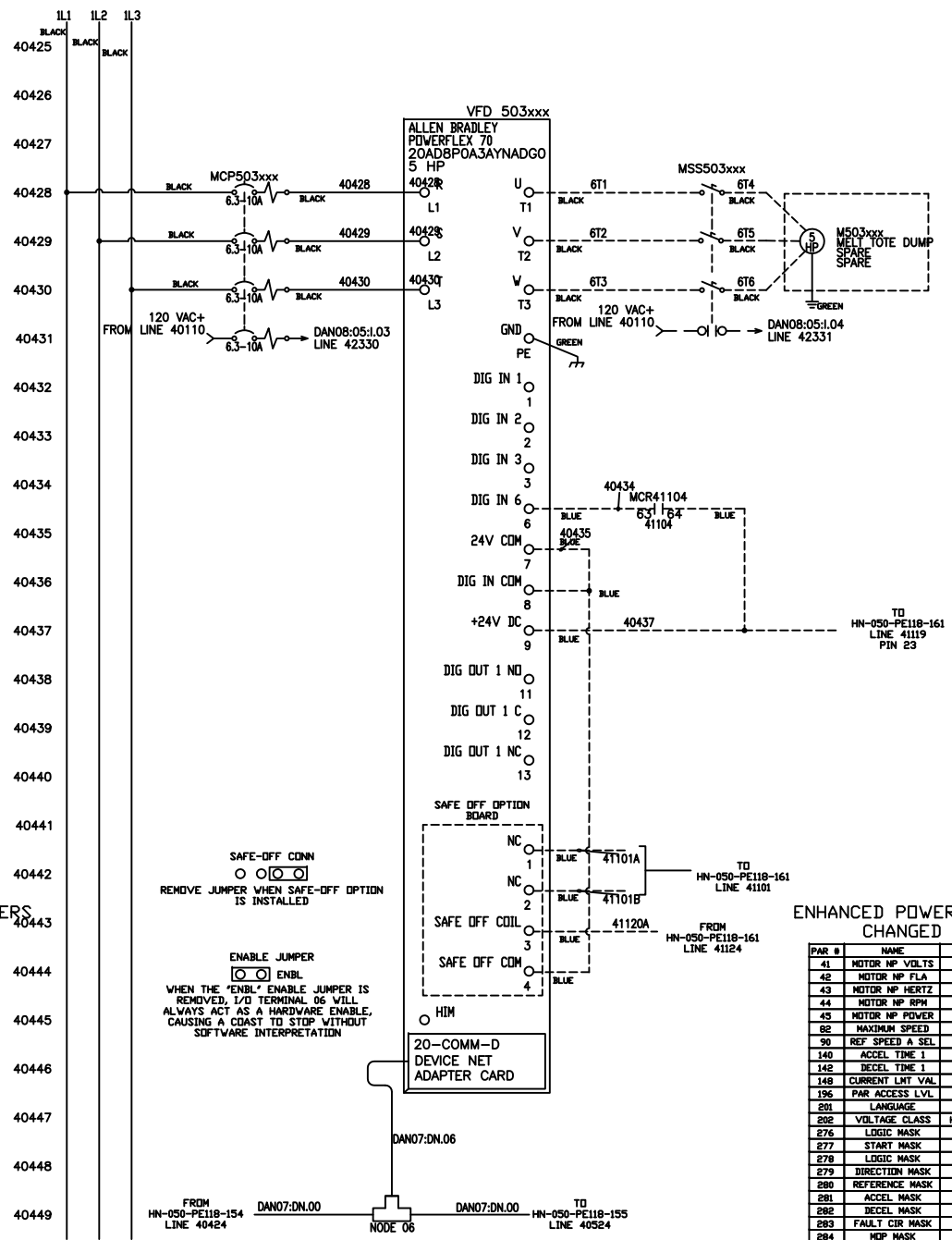


ENHANCED POWERFLEX 70 PARAMETERS CHANGED FROM DEFAULT

PAR #	NAME	VALUE	DEFAULT
41	MOTOR NP VOLTS	480	480
42	MOTOR NP FLA	14	8
43	MOTOR NP HERTZ	60	60
44	MOTOR NP RPM	1725	1750
45	MOTOR NP POWER	10	0
82	MAXIMUM SPEED	60	0
90	REF SPEED A SEL	DPI PORT 5	ANALOG IN 2
140	ACCEL TIME 1	5	10
142	DECEL TIME 1	5	10
148	CURRENT LMT VAL	7.5	12
196	PAR ACCESS LVL	ADVANCED	BASIC
201	LANGUAGE	ENGLISH	NOT SELECTED
202	VOLTAGE CLASS	HIGH VOLTAGE	LOW VOLTAGE
276	LOGIC MASK	100011	301111
277	START MASK	100010	301111
279	LOGIC MASK	100010	301111
279	DIRECTION MASK	100010	301111
280	REFERENCE MASK	100010	301111
281	ACCEL MASK	100010	301111
282	DECEL MASK	100010	301111
283	FAULT CLR MASK	100010	301111
284	REF MASK	100010	301111
285	LOGIC MASK	100010	301111
361	DIGITAL IN3 SEL	NOT USED	STOP CF
362	DIGITAL IN2 SEL	NOT USED	START
363	DIGITAL IN3 SEL	NOT USED	AUTO MAN
364	DIGITAL IN4 SEL	NOT USED	SPEED SEL 1
365	DIGITAL IN5 SEL	NOT USED	SPEED SEL 2
366	DIGITAL IN6 SEL	ENABLE	SPEED SEL 3



ENHANCED POWERFLEX 70 PARAMETERS CHANGED FROM DEFAULT

PAR #	NAME	VALUE	DEFAULT
41	MOTOR NP VOLTS	480	480
42	MOTOR NP FLA	14	8
43	MOTOR NP HERTZ	60	60
44	MOTOR NP RPM	1725	1750
45	MOTOR NP POWER	10	0
82	MAXIMUM SPEED	60	0
90	REF SPEED A SEL	DPI PORT 5	ANALOG IN 2
140	ACCEL TIME 1	5	10
142	DECEL TIME 1	5	10
148	CURRENT LMT VAL	7.5	12
196	PAR ACCESS LVL	ADVANCED	BASIC
201	LANGUAGE	ENGLISH	NOT SELECTED
202	VOLTAGE CLASS	HIGH VOLTAGE	LOW VOLTAGE
276	LOGIC MASK	100011	301111
277	START MASK	100010	301111
279	LOGIC MASK	100010	301111
279	DIRECTION MASK	100010	301111
280	REFERENCE MASK	100010	301111
281	ACCEL MASK	100010	301111
282	DECEL MASK	100010	301111
283	FAULT CLR MASK	100010	301111
284	REF MASK	100010	301111
285	LOGIC MASK	100010	301111
361	DIGITAL IN3 SEL	NOT USED	STOP CF
362	DIGITAL IN2 SEL	NOT USED	START
363	DIGITAL IN3 SEL	NOT USED	AUTO MAN
364	DIGITAL IN4 SEL	NOT USED	SPEED SEL 1
365	DIGITAL IN5 SEL	NOT USED	SPEED SEL 2
366	DIGITAL IN6 SEL	ENABLE	SPEED SEL 3

EA 1/6/12
 AS-BUILT PROJECT VIDA
 GENERAL MILLS
 THIS DRAWING IS THE CONFIDENTIAL PROPERTY OF GMI. DO NOT COPY, PRINT, PHOTOGRAPH OR LOAN WITHOUT PRIOR WRITTEN CONSENT OF GENERAL MILLS OPERATIONS, LLC.
 MASTER FACILITY DRAWING
 BAR LINE 3 MELT TANK, MCP-DA4
 480 POWER ELECTRICAL SCHEMATIC
 MISSOURI
 DRAWN BY: EA
 DATE: 10-11-2011
 CHECKED BY: PS
 SCALE: NONE
 SIZE: F
 DRAWING NO.: HN-050-PE118
 SHEET NO.: SHT 154