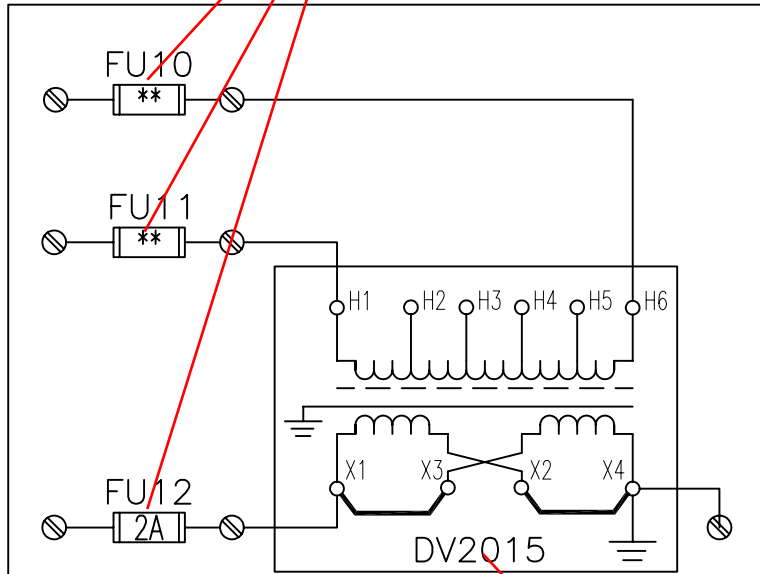


I would like these to be smart tags...fill in automatically with the correct rung number. (ex. FU2012, FU2013, FU2015).



5 KVA
500VA
575/460/415/380/230 VAC PRIMARY x
120/115 VAC SECONDARY
CONTROL TRANSFORMER

I would also like the "overall" component to have a unique tag number that will also fill in automatically.