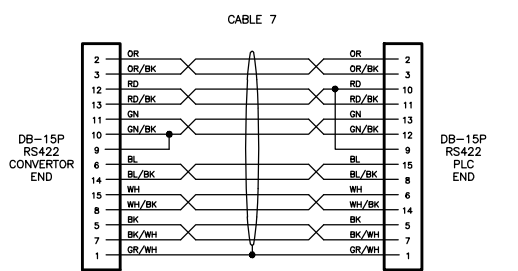
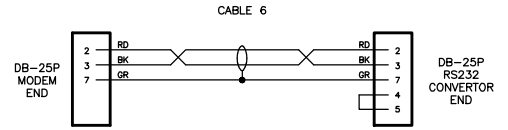
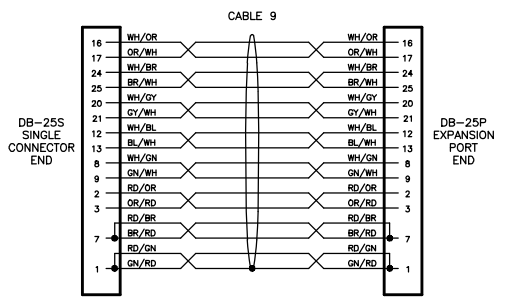
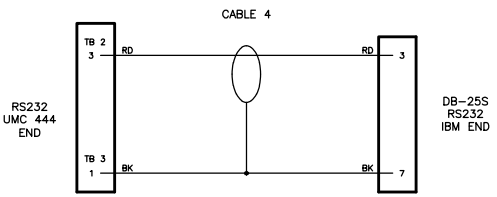
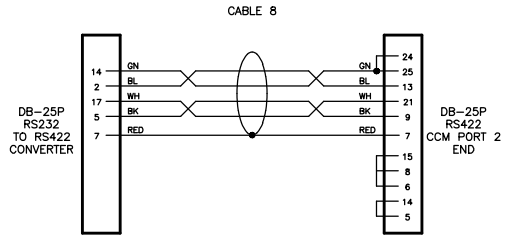
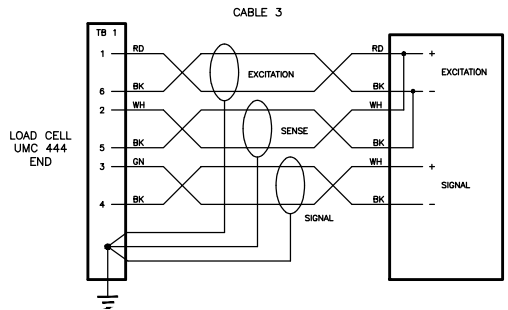


	PORT 1	PORT 2
CCM ENABLE:	YES	YES
CCM MODE:	SLAVE	SLAVE
INTERFACE:	RS232	RS422
DATA RATE:	9600	9600
FLOW CONTROL:	NONE	NONE
PARITY:	NONE	NONE
RETRY COUNT:	SHORT	SHORT
TIMOUT:	NONE	NONE
TURN A DELAY:	NONE	NONE
CPU ID:	1	1



P.L.C. CPU CONFIGURATION

PARAMETER	DEFAULT	MODEM
BAUD:	19200	1200
PARITY:	ODD	NONE
STOP BITS:	1	1
NOISY CHANNEL:	N	Y
TURN AROUND TIME (1/100 SEC.):	0	10
IDLE (1 SEC.):	10	10

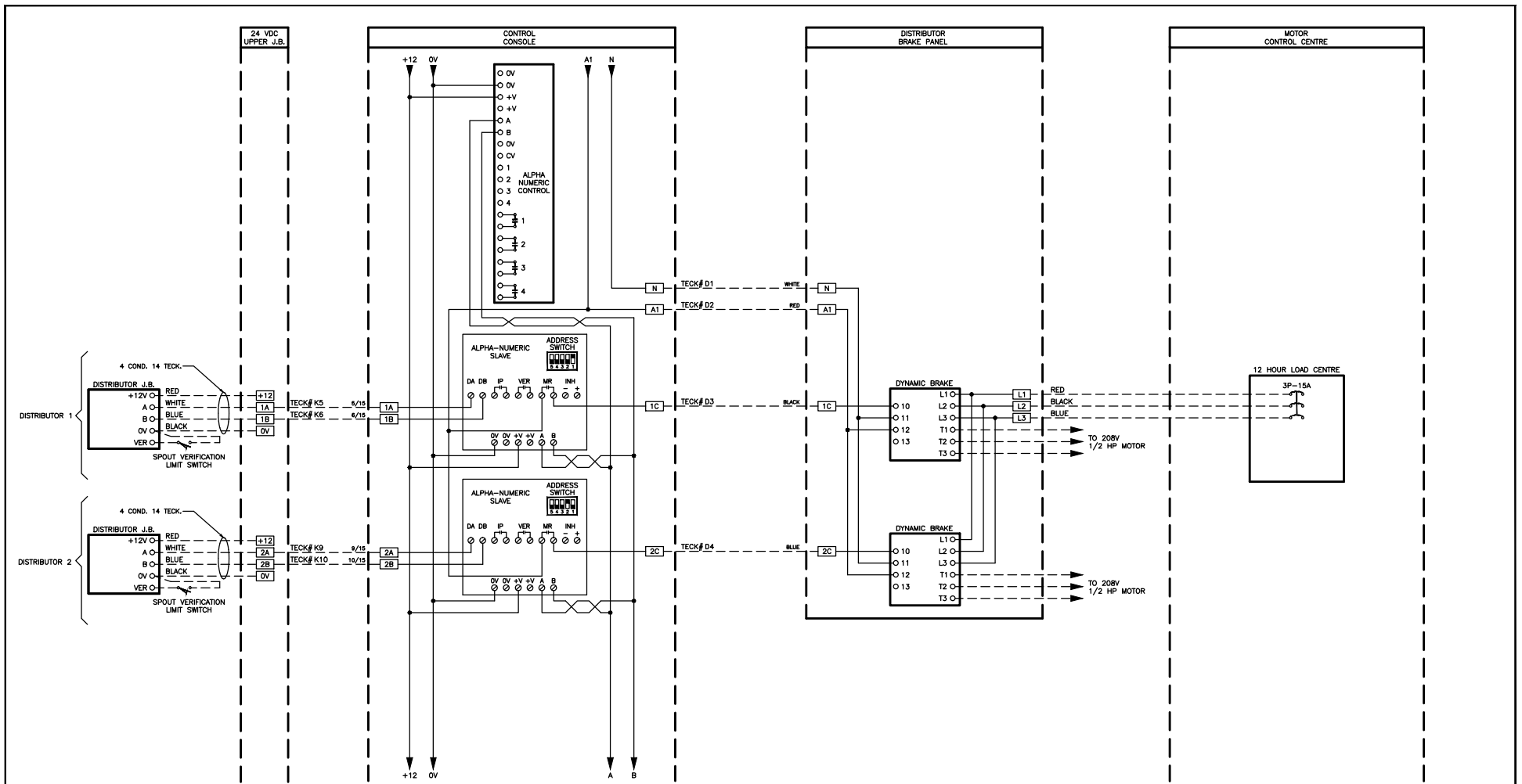


STANDARD PARALLEL PRINTER CABLE

LEGEND		DATE:	NO.	REVISION:	BY:	DRAWING STATUS
□	MAN PANEL TERMINAL	95/01/19	1	AS BUILTS	DRB	PRELIMINARY <input type="checkbox"/>
---	FIELD WIRING					FOR APPROVAL <input type="checkbox"/>
·	FUTURE PANEL WIRING					REVISION <input type="checkbox"/>
						CONSTRUCTION <input checked="" type="checkbox"/>
						AS BUILT <input checked="" type="checkbox"/>

This drawing is the exclusive property of L.V. Control Mfg. Ltd. and all rights are reserved. No part of this drawing may be used or reproduced in any manner whatsoever without written permission from L.V. Control Mfg. Ltd.

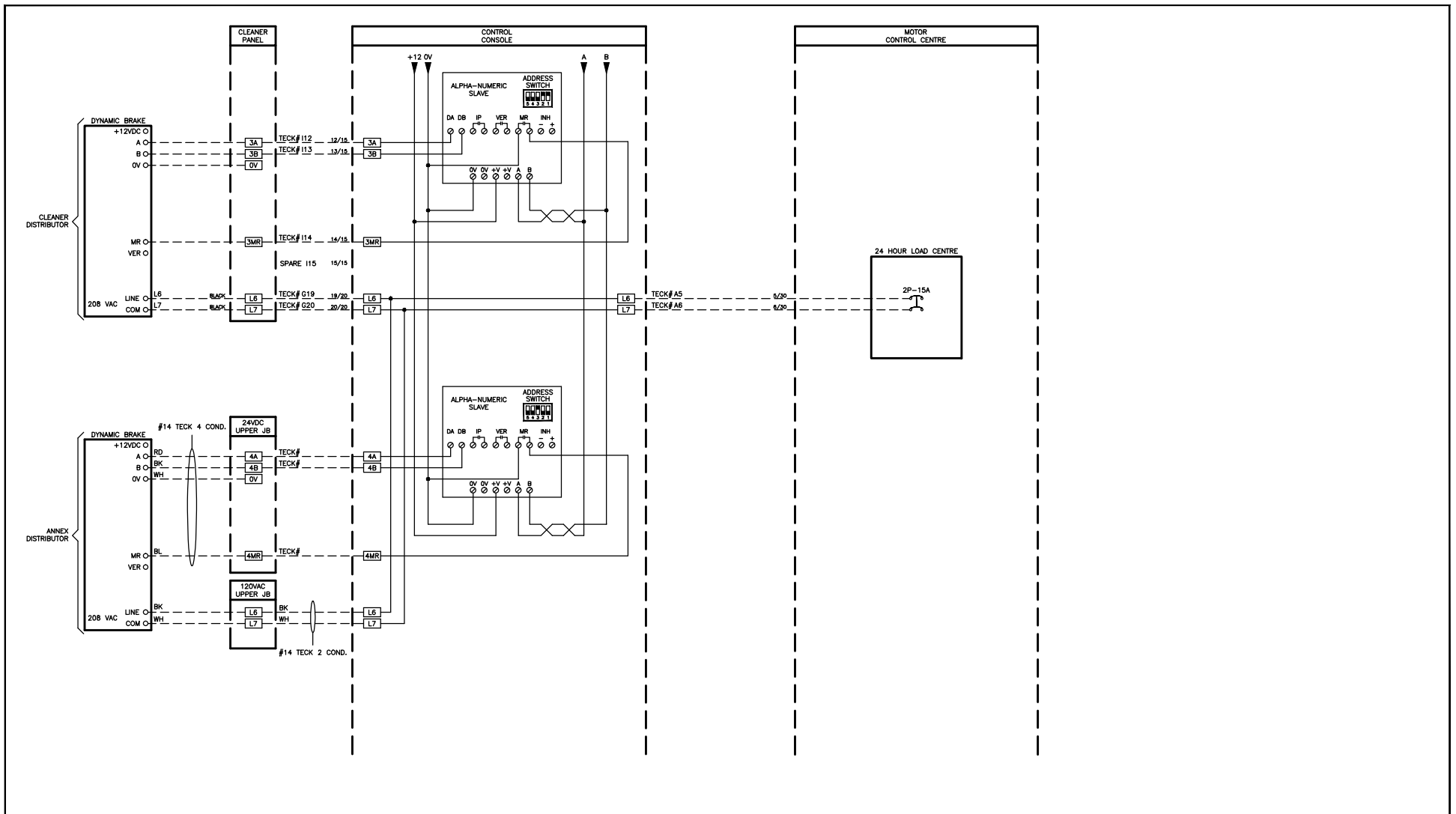
<b>L.V. CONTROL</b> MANUFACTURING LIMITED WINNIPEG, MANITOBA. PHONE: (204) 669-3600 FAX: (204) 663-4853	CUSTOMER: <b>F.W.SAWATZKY (WESTERN) LTD.</b>	ENGINEERING DEPARTMENT DESIGN BY: G.FLOREN	DRAWING NO: <b>2975-20</b>
	SITE: <b>U.G.G. DUNDONALD, MANITOBA.</b>	DRAWN BY: DRB CK'D BY: GF	PAGE: <b>H2 OF 2</b>
TITLE: <b>90/30 PLC CABLE WIRING DETAIL</b>	BUILT BY: TST'D BY:	REVISION <b>1</b>	DATE: 94/02/02



LEGEND		DATE:	NO.	REVISION:	BY:	DRAWING STATUS
□	MAN PANEL TERMINAL	95/01/23	1	AS BUILTS	DRB	This drawing is the exclusive property of L.V. Control Mfg. Ltd. and all rights are reserved. No part of this drawing may be used or reproduced in any manner whatsoever without written permission from L.V. Control Mfg. Ltd.
---	FIELD WIRING					
·	FUTURE PANEL WIRING					

D:\roy\jcb\fwg\DUNDONALD\20-d1.dwg  
05-31-99 4:03 PM

<b>L.V. CONTROL</b> MANUFACTURING LIMITED WINNIPEG, MANITOBA. PHONE: (204) 669-3600 FAX: (204) 663-4853	CUSTOMER:	F.W.SAWATZKY (WESTERN) LTD.	ENGINEERING DEPARTMENT	DRAWING NO:	2975-20
	SITE:	U.G.G. DUNDONALD, MANITOBA.	DESIGN BY:	G.FLOREN	PAGE:
	TITLE:	DISTRIBUTOR BRAKE WIRING	DRW'N BY:	DRB	D1 OF 2
			CK'D BY:	GF	REVISION
			BUILT BY:		1
			TS'D BY:		
			DATE:	94/01/17	



LEGEND		DATE:	NO.	REVISION:	BY:	DRAWING STATUS
□	MAN PANEL TERMINAL	98/01/23	1	AS BUILTS	DRB	PRELIMINARY <input type="checkbox"/>
---	FIELD WIRING	98/07/23	2	ADD ANNEX DISTRIBUTOR	CTA	FOR APPROVAL <input type="checkbox"/>
·	FUTURE PANEL WIRING	98/11/03	3	ANNEX DISTRIBUTOR AS BUILT	CTA	REVISION <input checked="" type="checkbox"/>
						CONSTRUCTION <input checked="" type="checkbox"/>
						AS BUILT <input checked="" type="checkbox"/>

This drawing is the exclusive property of L.V. Control Mfg. Ltd. and all rights are reserved. No part of this drawing may be used or reproduced in any manner whatsoever without written permission from L.V. Control Mfg. Ltd.

<p>MANUFACTURING LIMITED WINNIPEG, MANITOBA PHONE: (204) 669-3600 FAX: (204) 663-4853</p>	CUSTOMER:	F.W.SAWATZKY (WESTERN) LTD.	ENGINEERING DEPARTMENT	DRAWING NO:	2975-20	
	SITE:	U.G.G. DUNDONALD, MANITOBA.	DESIGN BY:	G.FLOREN	PAGE:	D2 OF 2
	TITLE:	DISTRIBUTOR BRAKE WIRING	CK'D. BY:	GF	REVISION	3
			BUILT BY:			
		TS'D. BY:				
		DATE:	94/01/17			

R:\roy\gsb\fwg\DU\DU\DU\20-d2.dwg  
98-31-39 4:04 PM